



General description

- The Digital Condensation Removal Timer is a compact, modular timer valve combination specifically designed for air line condensation removal. This digital timer is compatible with MBS/MCS/MBD series valve size to obtain an optimal system.
- This device easily programmed by two press-keys and a LCD display.

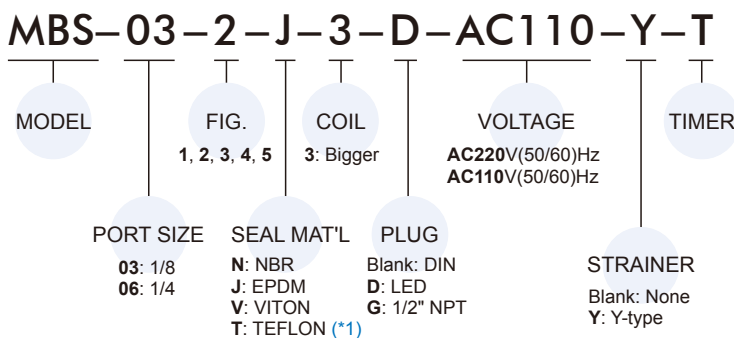
Notes

- Timer is water and dust protected to IP65 when installed properly to a coil and connector with provided M3 screw.
- See manual for all operation options.

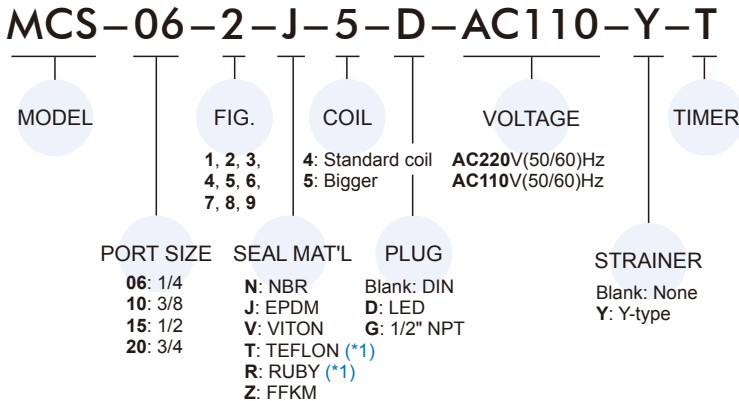
Specification

Valve type	Bore size	Orifice (mm)
MBS-03	03(1/8)	1~2.4
MBS-06	06(1/4)	1~2.4
MCS-06	06(1/4)	1.6~10
MCS-10	10(3/8)	1.6~10
MCS-15	15(1/2)	1.6~10
MCS-20	20(3/4)	1.6~10
MBD-06	06(1/4)	1.6~3.5
MBD-09	09(3/8)	1.6~3.5
MBD-10	10(3/8)	2.5~5.5
MBD-15	15(1/2)	2.5~5.5

Order example * MBS specifications please refer to page 2-6.

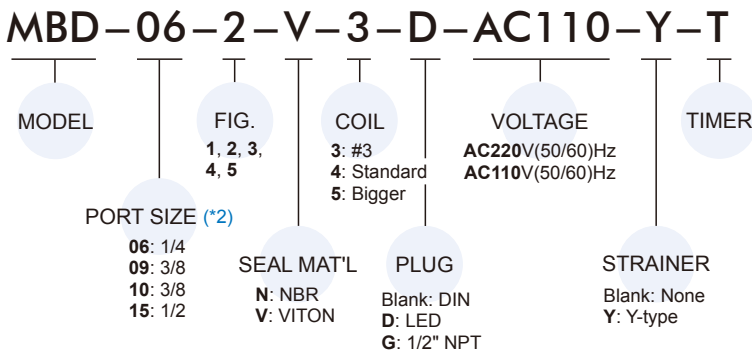


* MCS specifications please refer to page 2-8.



*1. When the seal material is (T) Teflon or (R) RUBY, the valve has slight leakage, not suitable for vacuum.

* MBD specifications please refer to page 2-7.



*2. Port size (06) and (09) can only apply with coil No.3. Port size (10) and (15) can only apply with coil No.4 and No.5.

Time adjustment

Time ranges: OFF 0~99 mins.
ON 0~59 sec.

Digital display
Count down ON and OFF times.

Reset timing: Press both buttons simultaneously for 2 seconds (Reset timing only. Settings will remain the same.)

1. Press SET for 2 seconds
2. Press ADJ to adjust ON time
3. Press SET
4. Press ADJ to adjust OFF time
5. Press SET
6. Press ADJ to adjust OFF time minutes
7. Press SET



Installation

