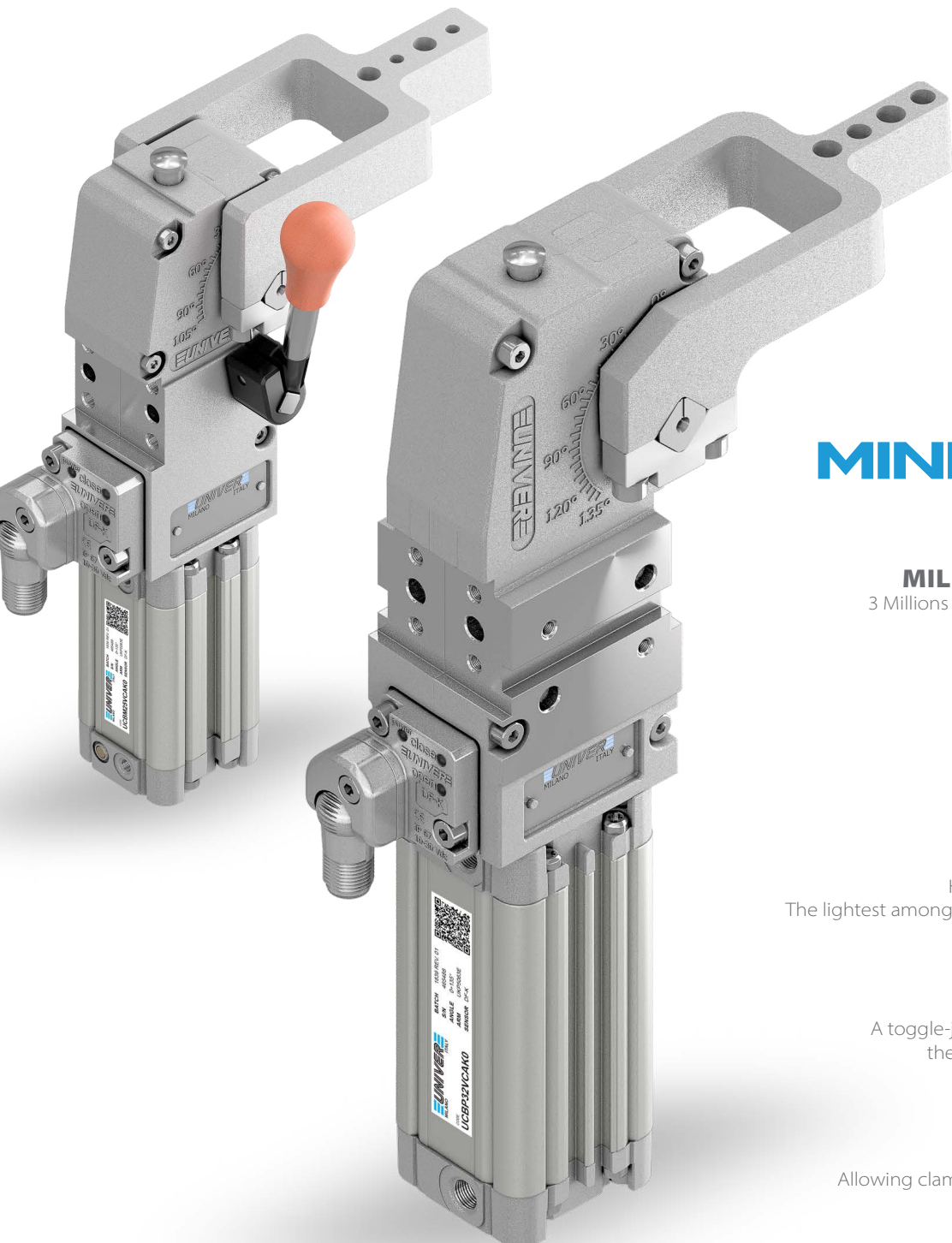


# PNEUMATIC MINI CLAMPS

Pneumatic Miniclamps are typically used for handling and blocking pieces in assembly process.

UNIVER offer two sizes Ø25 and Ø32 and optional version equipped with handlever for manual operations.

- Fully adjustable opening angle
- Electronic sensor with M12 swivel connector or pneumatic sensor
- Self-holding device for open position
- ATEX version available



## MINICLAMP

### MILLIONS OF CYCLES

3 Millions of operations granted with no maintenance required



### QR CODE

Helps identify products quickly and easily



### LIGHTWEIGHT

Housing in aluminium alloy  
The lightest among market equivalent devices



### IRREVERSIBLE

A toggle-joint mechanism maintains the position even with air lack



### COMPENSATION

Allowing clamping of different thickness





## MINICLAMP

Small-size power clamps perfect to be used for handling and assembly process

- Pneumatic Miniclamps Ø 25-32 mm
- Fully protected version available 25-32 mm



Small-size power clamps with hand lever typically used for assembly process, white goods sector, on eolat and moving robots

- Pneumatic Miniclamps with hand lever Ø 25-32 mm

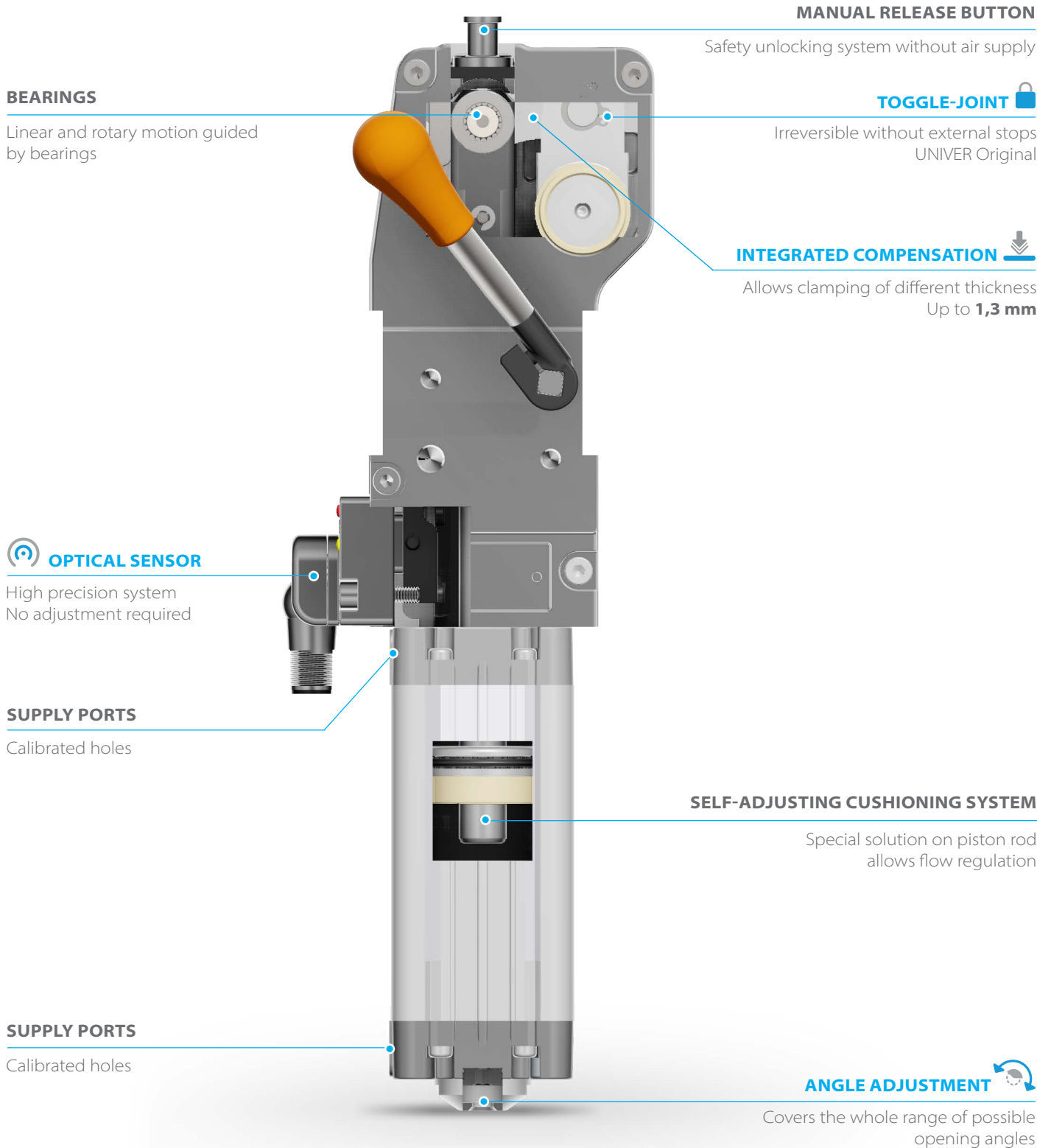


## BLUECLAMP air saving

Air saving power clamps assuring a relevant reduction in air consumption without affecting the standard performances required from the market:

- Pneumatic Miniclamp size 32 mm

# MINICLAMP FEATURES



## BEARINGS

Linear and rotary motion guided by bearings

## OPTICAL SENSOR

High precision system  
No adjustment required

## SUPPLY PORTS

Calibrated holes

## SUPPLY PORTS

Calibrated holes

## MANUAL RELEASE BUTTON

Safety unlocking system without air supply

## TOGGLE-JOINT

Irreversible without external stops  
UNIVER Original

## INTEGRATED COMPENSATION

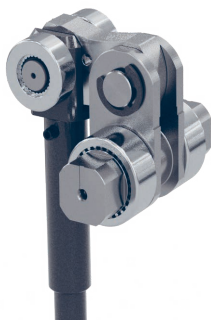
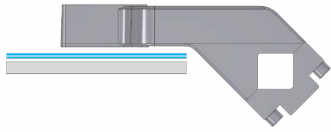
Allows clamping of different thickness  
Up to **1,3 mm**

## SELF-ADJUSTING CUSHIONING SYSTEM

Special solution on piston rod  
allows flow regulation

## ANGLE ADJUSTMENT

Covers the whole range of possible  
opening angles



## INTEGRATED COMPENSATION

The original UNIVER integrated compensation systems allows to compensate metal sheet thickness variations up to 1,3 mm

No need to modify the shims in case of clamping of different metal sheets inside the compensation range



## OPTICAL SENSOR

Fully metal body

One single sensor for the whole range of products

IP67 protection

M12 swivel connector (0-90°)

High precision

No set up

Two-parts design: electronic part outside the unit (available as spare part), optical part inside the unit (no touch point)

Insensitive to high magnetic fields, typical of new and modern welding systems like aluminium welding

Industry-recognized, tested and proven sensor



## ANGLE ADJUSTMENT

**0°- 105° FOR SIZE 25**

**0°- 135° FOR SIZE 32**

Stepless adjustment of the opening angle by means of a hex key from the bottom of the clamp

No need to set the sensor

Possibility to reduce the opening angle to the minimum required

One single device covers the whole range of opening angles aimed at stock reduction



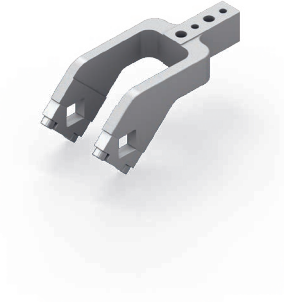
## TOGGLE-JOINT MECHANISM

The original UNIVER toggle joint system allows the clamp to maintain the position even with lack of air without external stops

Position repeatability

No backlash in closed position

# COMPLEMENTARY PRODUCTS



## **CLAMPING ARM**

Aluminium to assure lightweight  
Different offsets for each arm size



## **SELF HOLDING SYSTEM**

UNIVER original  
Suitable for any opening angle  
Adjustable holding force



## **HAND LEVER**

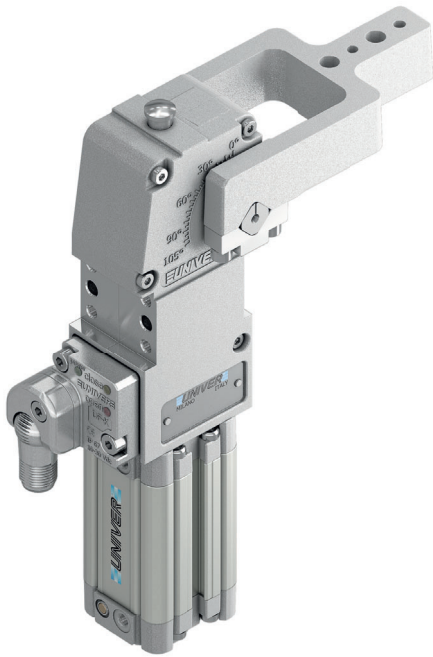
Ergonomic design  
Welding debris resistant

# UCBP 25

Pneumatic power clamps Ø25 mm

Pneumatic Miniclamps with compensation system, toggle-joint mechanism and stepless adjustable opening angle, typically used for handling and blocking pieces in assembly process.

- Compact dimensions and lightweight
- Integrated compensation up to 0,9 mm
- Version with hand lever available
- Fully optical electronic sensor or pneumatic sensor
- Fixing pattern on 2 sides (front and back)
- Manual unlocking in case of air loss
- Wishbone clamping arm in aluminium



## CHARACTERISTICS

Operating temperature	5° ÷ 45° C
Min./Max. Operating pressure	0,4 / 0,6 MPa
Opening angle*	0° ÷ 105°
Bore Ø	25 mm
Holding moment	75 Nm
Clamping moment (0,5 MPa)	25 Nm
Weight (clamping arm not included)	0,8 Kg
Pneumatic supply ports	M5
Sensor	electronic (optical)
Supply voltage	10 ÷ 30 Vdc
IP code	IP65

\*The opening angle range may vary according to the arm position and style.

## CODIFICATION KEY

UC | B | P | 25 | O | B | A | K | 0 | 10



COMPENSATION



LIGHTWEIGHT



IRREVERSIBLE



ANGLE ADJUSTMENT



OPTICAL SENSOR

1 SERIES  
UC = UNICLAMP Power clamps

2 STANDARD  
B = European standard

3 VERSION  
P = Pneumatic

4 SIZE  
25 = Ø 25mm

5 ARM POSITION

V = 90°



O = 180°



N = No arm



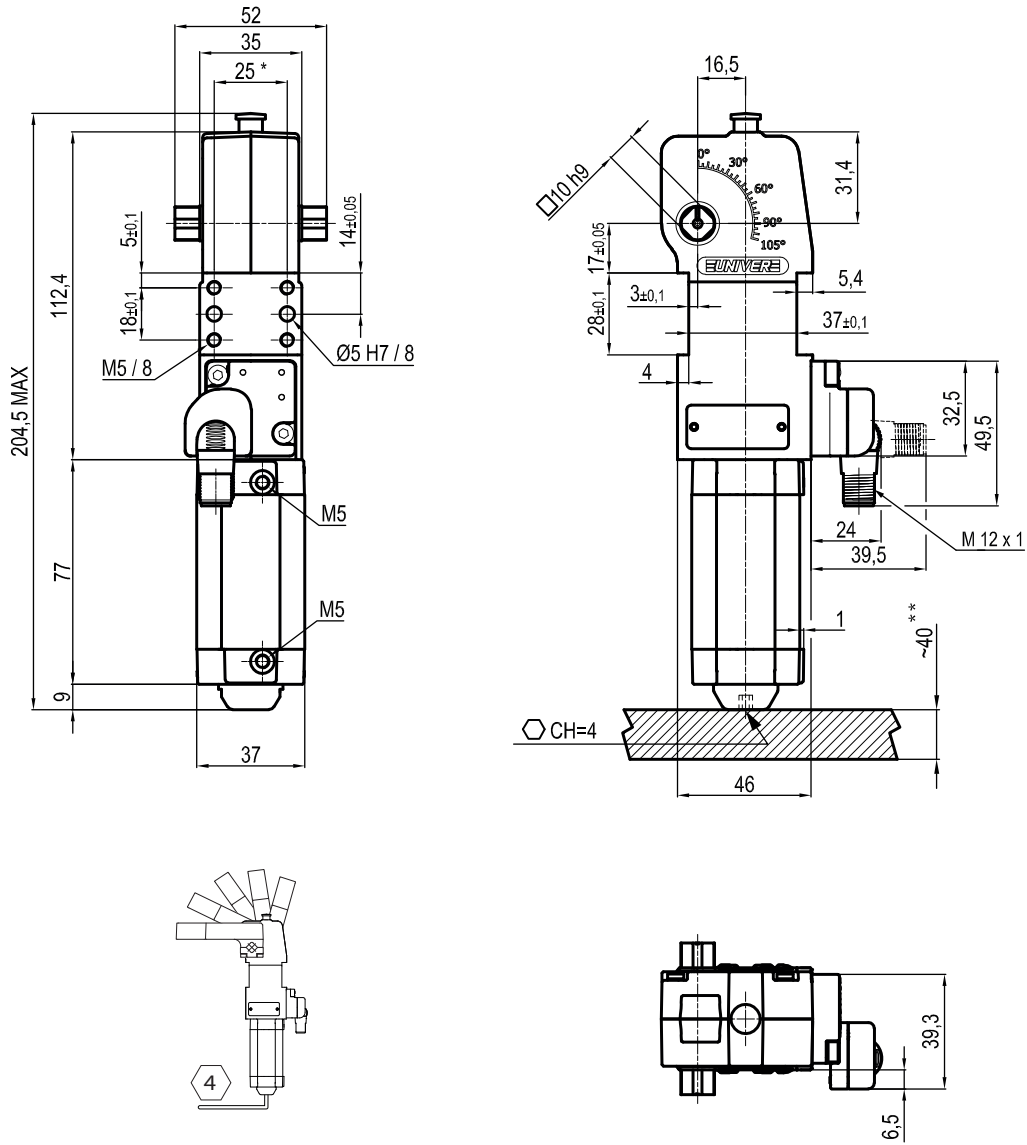
6 ARM STYLE  
B = Central, 0mm offset  
C = Central, 10mm offset  
N = No arm  
For other versions contact our Sales Dept.

7 ARM TYPE  
A = Aluminium  
N = No arm

8 SENSOR  
N = No sensor (with protection plate)  
K = Electronic sensor PNP, M12 (DF-K)  
D = Pneumatic sensor (DF-UPNWS)  
Y = Electronic sensor PNP, M12 (DF-Y) white LED  
J = Electronic sensor NPN, M12 (DF-J)

9 PRODUCT REVISION  
Assigned by UNIVER

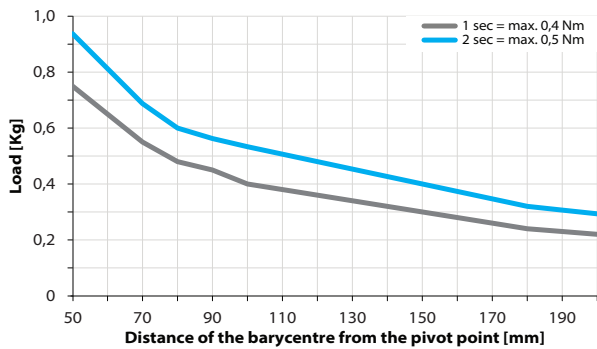
10 ATEX  
X = ATEX option  
See ATEX Catalogue for types and versions



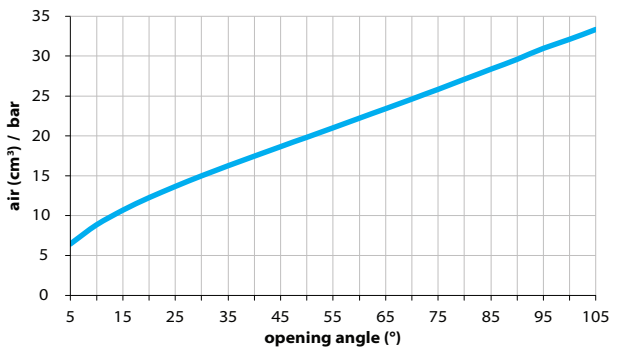
\*TOLERANCE BETWEEN DOWELS ± 0,02 BETWEEN SCREW HOLES ± 0,1  
 \*\*AREA TO ACCESS ANGLE ADJUSTMENT

### Maximum Applicable Load

Pressure: 5 bar - 90° cycle time (Open - Close)



### Air Consumption per Cycle

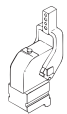
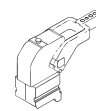
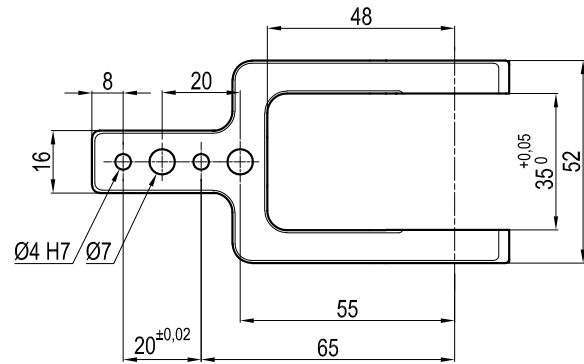
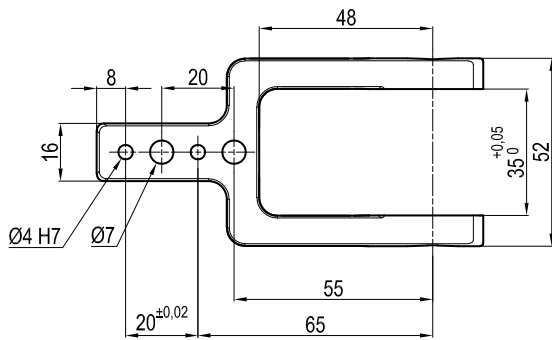
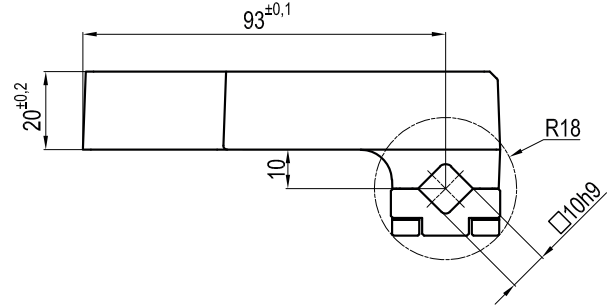
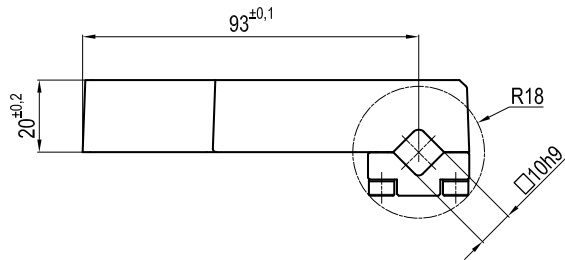


## Clamping Arms

### Arm Offset 0mm

### Arm Offset 10mm

1



Armcode	Offset	Material	Arm style	Weight (Kg)	Opening angle (90°)	Opening angle (180°)
LKP25B	0	ALUMINIUM	CENTRAL	0,13	0±105°	0±105°
LKP25C	10	ALUMINIUM	CENTRAL	0,15	0±105°	0±105°

## Sensors



Electronic (optical)

Pneumatic

DF-K PNP M12  
DF-J NPN M12  
DF-Y PNP M12 White LED

DF-UPNWS