



Features

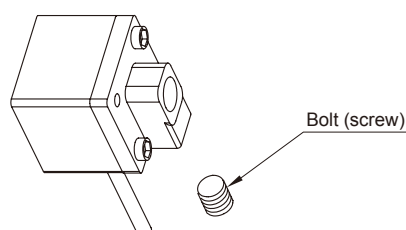
- Digital display, easy readout.
- Pressure range: Compound -100~100 kPa
Positive 0~1 MPa.
- High accuracy and Resolution.
- Programmable pressure unit: kPa, MPa, kgf/cm², bar, psi, inHg, mmHg, mmH₂O.
- Low cost.

Specification

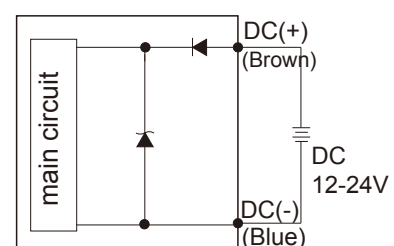
| Model | | MP23C (Compound) | MP23P (Positive) |
|----------------------------|---------------------------|--|-------------------|
| Operating pressure range | | -100.0~100.0 kPa | - 0.100 ~ 1.0 MPa |
| Allowable pressure | | 300 kPa | 1.5 MPa |
| Fluid | | Filtered air, Non-corrosive / Non-flammable gas | |
| Set pressure resolution | kPa / MPa | 0.1 / - | - / 0.001 |
| | kgf/cm ² / bar | 0.001 | 0.01 |
| | psi | 0.01 | 0.1 |
| | inHg | 0.1 | - |
| | mmHg | 1 | - |
| | mmH ₂ O | 0.1 | - |
| Power supply voltage | | 12 to 24V DC ±10%, Ripple (P-P) 10% or less | |
| Current consumption | | ≤ 55mA | |
| Display | | 3½ digit LED display (Red) (Sampling rate: 5 times/sec.) | |
| Indicator accuracy | | ±2% F.S. ±1 digit (ambient temperature: 25 ± 3°C) | |
| Environment | Enclosure | IP40 | |
| | Ambient temp. range | Operation: 0 ~ 50°C, storage : -20 ~ 60°C (No condensation or freezing) | |
| | Ambient humidity range | Operation/Storage: 35 ~ 85% RH (No condensation) | |
| | Withstand voltage | 1000V AC in 1-min. (between case and lead wire) | |
| | Insulation resistance | 50MΩ (at 500V DC, between case and lead wire) | |
| | Vibration | Total amplitude 1.5mm,10Hz-55Hz-10Hz scan for 1 minute, two hours each direction of X, Y and Z | |
| | Shock | 980m/s ² (100G), 3 times each in direction of X, Y and Z | |
| Temperature characteristic | | ±2% F.S. of detected pressure (25°C) at temp. Range of 0~50°C | |
| Port size | | F1: Rc1/8"; F2: NPT1/8"; F3: G1/8"(BSPP) | |
| Lead wire | | ø4 Oil-resistance cable (PVC) - 26 AWG (0.15 mm ²) - 2 cores | |
| Weight | | Approx. 102 g (with 2 meter lead wire), Approx. 68 g (with M8 4Pin male connector) | |

Installation

1. This product has two inlet pressure ports, select the one most convenient for installation.
2. Please plug the unused inlet port with supplied port plug. Use seal tape to prevent pressure leak.



Circuit wiring graph



MP23 Dimensions

DIGITAL PRESSURE GAUGE



Order example

MP23C – F1 – QD

MODEL

PRESSURE PORT

F1: Rc1/8" M1: R1/8"
 F2: NPT1/8" M2: NPT1/8"
 F3: G1/8" N1: R1/4"
 N2: NPT1/4" (Male thread)

PRESSURE RANGE

C: Compound (–100.0~100.0 kPa)
 P: Positive (–0.10~1.00 MPa)

CABLE LENGTH / CONNECTOR

Blank: With 2 meter cable
 QD: With M8, 4 Pin male connector

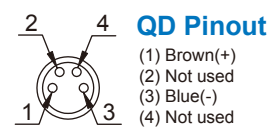
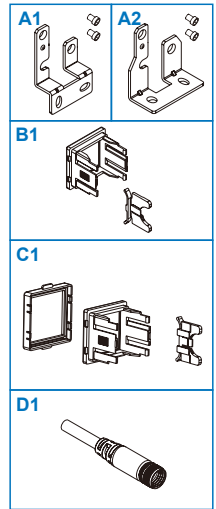
Mounting accessories (Option)

MP – A1

MODEL

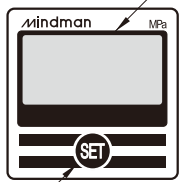
OPTION PARTS

A1: Mounting bracket
 A2: Mounting bracket
 B1: Panel adapter
 C1: Panel adapter + Front protective lid
 D1: M8 4Pin female connector (M84R-W0085-2M)



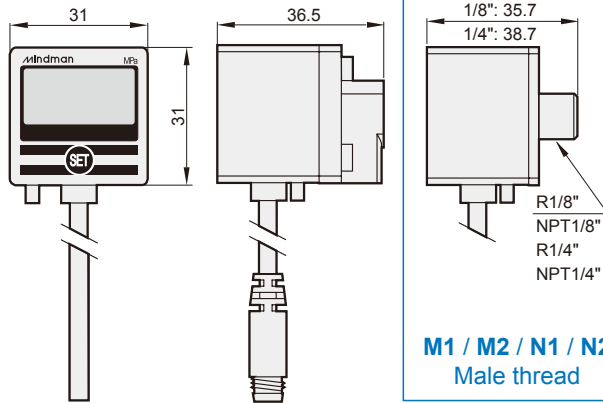
Panel instructions

3 1/2 digit LED display
 Display the measured Pressure value. Each set Content and error code.



Zero & Unit setting button

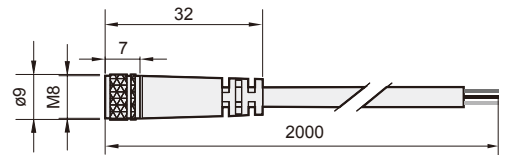
Dimensions



M1 / M2 / N1 / N2
 Male thread

Optional part dimensions

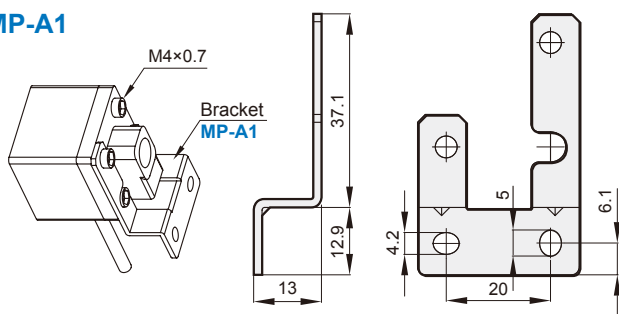
M8, 4 Pin female connector Model: MP-D1



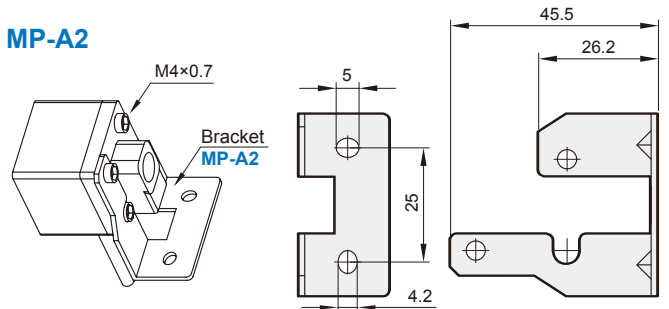
Mounting accessories

Mounting bracket

MP-A1

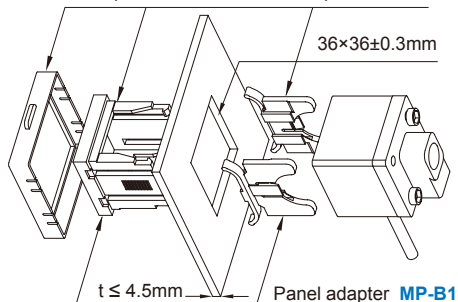


MP-A2

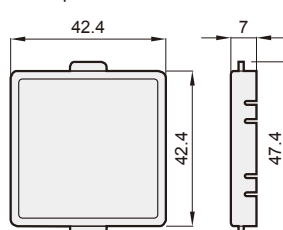


Panel type

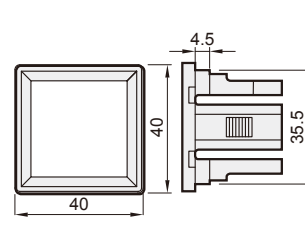
Front protective lid + Panel adapter MP-C1



Front protective lid



Panel adapter



Panel adapter

