

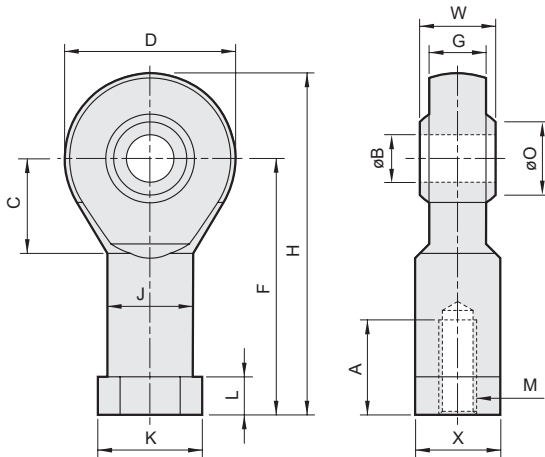
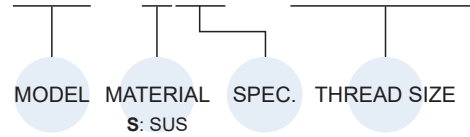


Features

- Embedded bearing structure.
- Stainless steel body.
- Sintered bronze bush.

Order example

PHS – S20 – M20×1.5



Code Model	A	B	C	D	F	G	H	J	K	L	M	O	W	X	Weight (g)
PHS-S4-M4×0.7	12	4	7	14	24	5.25	31	8	9.5	4	M4×0.7	7.6	7	8	12
PHS-S6-M6×1	12	6	11	20	30	6.75	40	10	13	5	M6×1.0	8.9	9	11	27
PHS-S8-M8×1.25	16	8	13	24	36	9	48	12.5	16	5	M8×1.25	10.4	12	14	46
PHS-S10-M10×1.25	20	10	15	28	43	10.5	57	15	19	6.5	M10×1.25	12.9	14	17	77
PHS-S12-M12×1.25	22	12	17	32	50	12	66	17.5	22	6.5	M12×1.25	15.4	16	19	116
PHS-S16-M16×1.5	28	16	23	42	64	15	85	22	27	8	M16×1.5	19.3	21	22	203
PHS-S20-M20×1.5	33	20	27	50	77	18	102	27.5	34	10	M20×1.5	24.3	25	30	376