



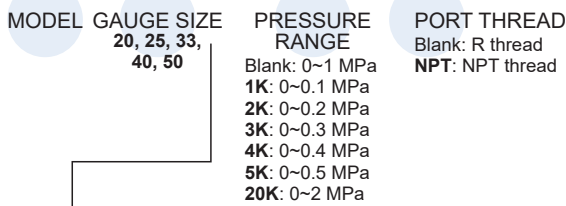
### Specification

| Model                    | PG-20                             | PG-25 | PG-33        | PG-40 | PG-50 |
|--------------------------|-----------------------------------|-------|--------------|-------|-------|
| Bore No.                 | —                                 | —     | 6A           | 6A    | 8A    |
| Port size                | —                                 | 1/16  | 1/8          | 1/8   | 1/4   |
| Medium                   | Air                               |       |              |       |       |
| Operating pressure range | By order specifications           |       |              |       |       |
| Proof pressure           | The max. scale of gauge times 1.2 |       |              |       |       |
| Precision                | ±4% F.S.                          |       | ASME B class |       |       |
| Ambient temperature      | -5~+60°C (No freezing)            |       |              |       |       |
| Weight                   | 11 g                              | 17 g  | 34 g         | 54 g  | 108 g |

\* Please consult us if out of specification.

### Order example

**PG - 40 S - 1K - NPT**



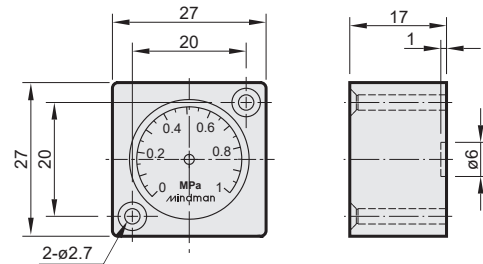
### CASE MATERIAL

| Code Model | W | S | Note              |
|------------|---|---|-------------------|
| PG-20      | ○ | ○ | W(White)          |
| PG-25      |   |   |                   |
| PG-33      |   | ○ |                   |
| PG-40      | ○ | ○ | W(Electroplating) |
| PG-50      | ○ |   |                   |

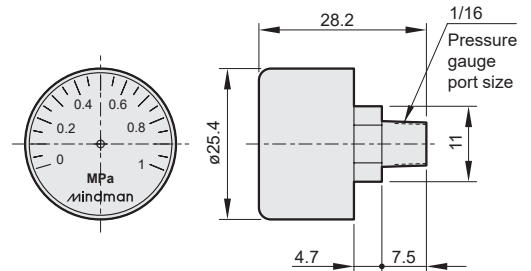
\* Blank: Standard type (Black)  
 PG-25 standard type (Gray)  
 \* S: Stainless steel

| Code Model | 1K | 2K | 3K | 4K | 5K | 20K |
|------------|----|----|----|----|----|-----|
| PG-20      | ○  | ×  | ×  | ×  | ×  | ×   |
| PG-20W     | ○  | ×  | ×  | ×  | ×  | ×   |
| PG-25      | ○  | ×  | ×  | ×  | ×  | ×   |
| PG-33S     | ○  | ×  | ○  | ×  | ×  | ×   |
| PG-40      | ○  | ○  | ○  | ○  | ○  | ○   |
| PG-40W     | ○  | ○  | ○  | ○  | ○  | ○   |
| PG-40S     | ○  | ×  | ○  | ×  | ×  | ×   |
| PG-50      | ○  | ×  | ×  | ×  | ×  | ○   |

### PG-20

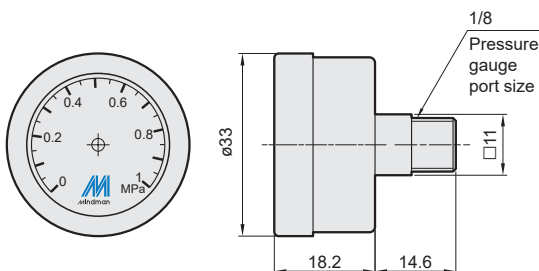


### PG-25

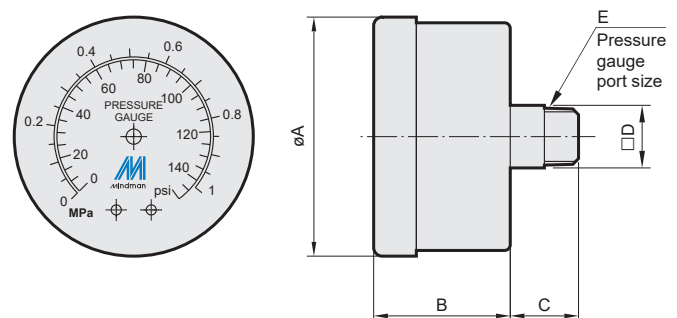


### PG-33S

\*Only for SUS case.



### PG-40 / 50



| Code Model | A  | B    | C    | D  | E   |
|------------|----|------|------|----|-----|
| PG-40      | 42 | 25   | 15   | 11 | 1/8 |
| PG-50      | 53 | 26.5 | 22.5 | 14 | 1/4 |