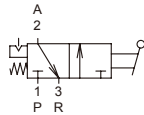


(Lock is not attached)

### Symbol

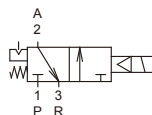


### Specification – Manual type

Model	MVHR-300		MVHR-302 / 400		
	8A	10A	8A	10A	15A
Bore No.	8A	10A	8A	10A	15A
Port size	Rc1/4	Rc3/8	Rc1/4	Rc3/8	Rc1/2
No. of port	3				
No. of position	2				
Medium	Air				
Operating pressure range	0.1~1 MPa				
Proof pressure	1.5 MPa				
Ambient temperature	-5~+60°C (No freezing)				
Weight	323g		304g / 311g		



### Symbol

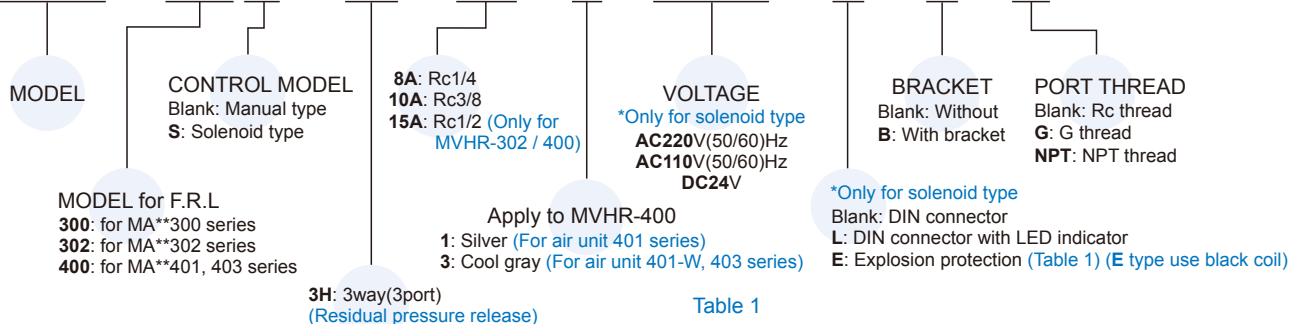


### Specification – Solenoid type

Model	MVHR-300S		MVHR-302S / 400S		
	8A	10A	8A	10A	15A
Bore No.	8A	10A	8A	10A	15A
Port size	Rc1/4	Rc3/8	Rc1/4	Rc3/8	Rc1/2
No. of port	3				
No. of position	2				
Medium	Air				
Operating pressure range	0.15~1 MPa				
Proof pressure	1.5 MPa				
Ambient temperature	-5~+60°C (No freezing)				
Voltage	AC110V, 220V (50/60)Hz, DC24V				
Power consumption	AC=4.8/4.4VA, 6/4.9VA, DC=2W				
Available voltage range	±10%				
Insulation class	F class				
Weight	397g		378g / 385g		

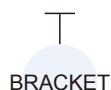
### Order example

MVHR – 300 □ – 3H – 8A – 1 – DC24 – □ – B – G



### Order example of bracket

MVHR – 302 – B



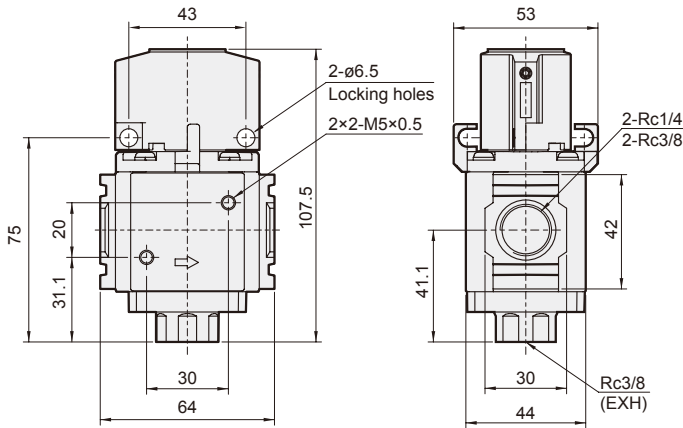
\* 300, 302 and 400 use the same bracket.

Table 1

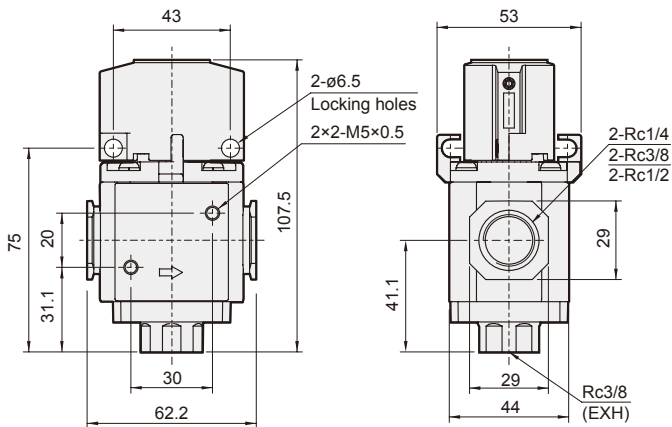
### Property for explosion-proof type

Anti-explosion class	EEx m II T4
Voltage	AC110V, 220V, (50/60)Hz, DC24V.
Power consumption	AC=4.4VA DC=5W
Available voltage range	±10%
Insulation class	F class
Wire length	3 m

### MVHR-300

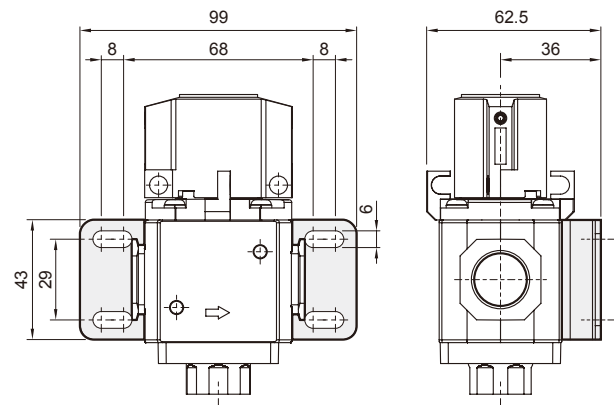


### MVHR-302

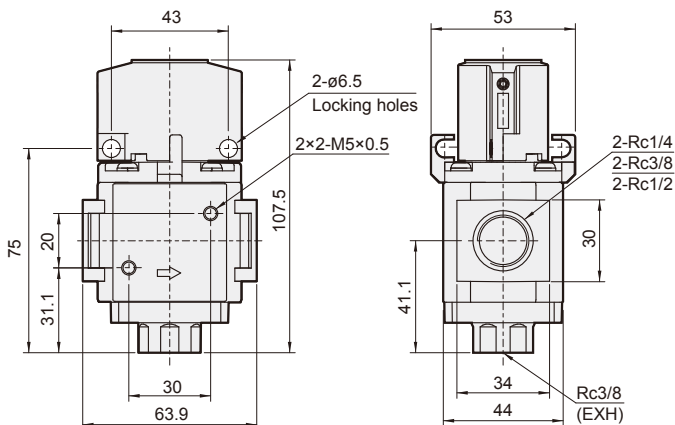


### MVHR-\*-B

Bracket



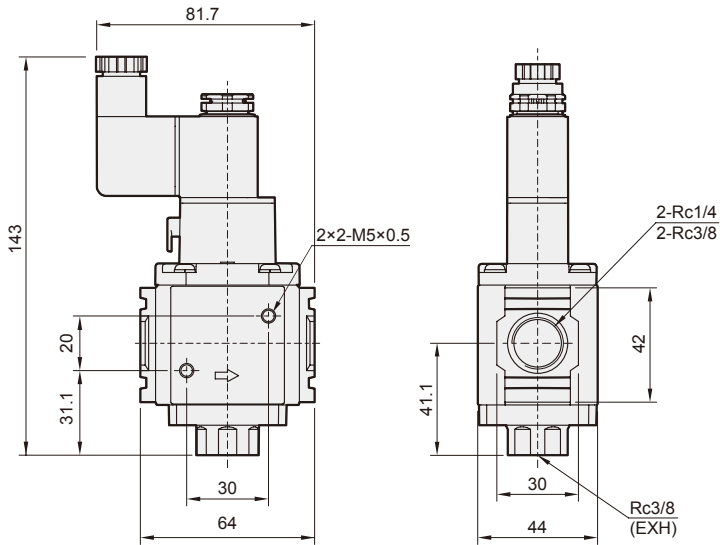
### MVHR-400



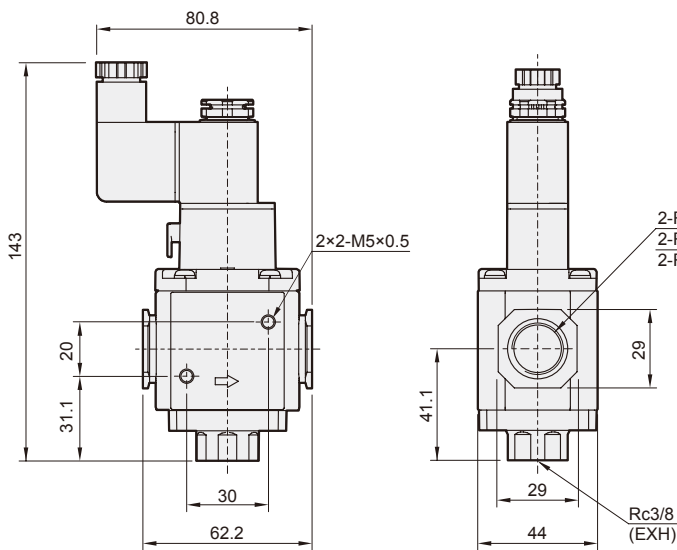
# MVHR Dimensions – Solenoid type

## ON-OFF VALVE

### MVHR-300S

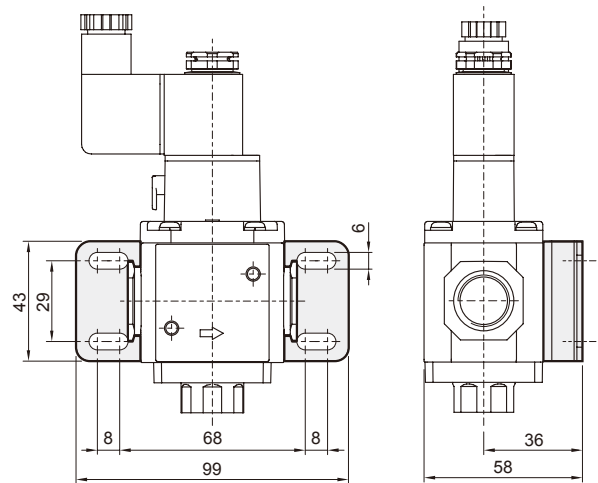


### MVHR-302S



### MVHR-\*S-\*-B

Bracket



### MVHR-400S

