



TMPlug&Play  
CERTIFIED

### Order example of pneumatic gripper

#### MCTA – J66 – TM

MODEL

1 GRIPPER MODULE

2 ARM SPEC.

1

Gripper module	Model	Description
<b>J66</b>	MCHJ-66	3 finger
<b>S80</b>	MCHS-80	2 finger

2

Arm spec.	Brand
<b>TM</b>	TM Robot (TM5/12/14)

### Order example of accessory kits

No.	Model Order example Part name	Accessory kits & Q'y	
		MCTA-J66	MCTA-S80
		AK-MCTA-J66-TM	AK-MCTA-S80-TM
1	Hex bolt (M5)	4	4
2	Hex bolt (M6)	4	4
3	PIN	4	4
4	Centering sleeve	6	4

Hex bolt (M5)	Hex bolt (M6)	PIN	Centering sleeve

### Features

- All-In-One module design with embedded solenoid valves and sensor switches.
- Only one I/O signal cable and one air tube is required. Plug and play.
- High reliability and simple operation compare with electric grippers.
- Integrated wires with power-off protection.
- Easy mounting design with threads and bolts.
- Magnetic as standard.

### Specification

Model	MCTA-J66	MCTA-S80
Acting type	Double acting	
Size	66	80
Stroke per-jaw (mm)	6	8
Effective external gripping force(N) *1	188	285
Effective internal gripping force (N) *1	194	290
Close/Open time (s)	0.03	0.04
Medium	Air	
Operating pressure range	0.2~0.7 MPa	0.3~0.7 MPa
Ambient temperature	+5~+80°C	
Lubrication	Not required	
Sensor switch *2	RDFE: Non-contact	
Accessories	Accessory kits	
Weight (kg)	≈1.3	
Recom. work piece weight (kg) *3	3.8	2.6

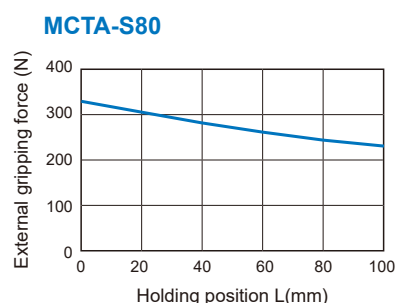
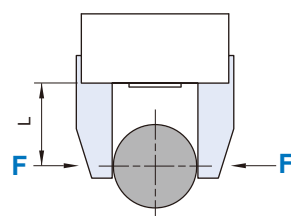
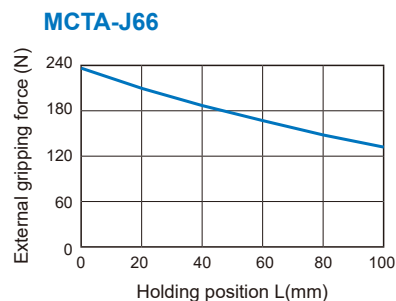
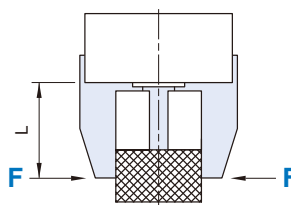
\*1. Under the condition of clamping length 40mm and operation pressure 0.6 MPa.

\*2. RDFE specification, please refer to page 5-11.

\*3. The weight limit of gripping workpiece depends on the load limit of robot arm and usage parameters.

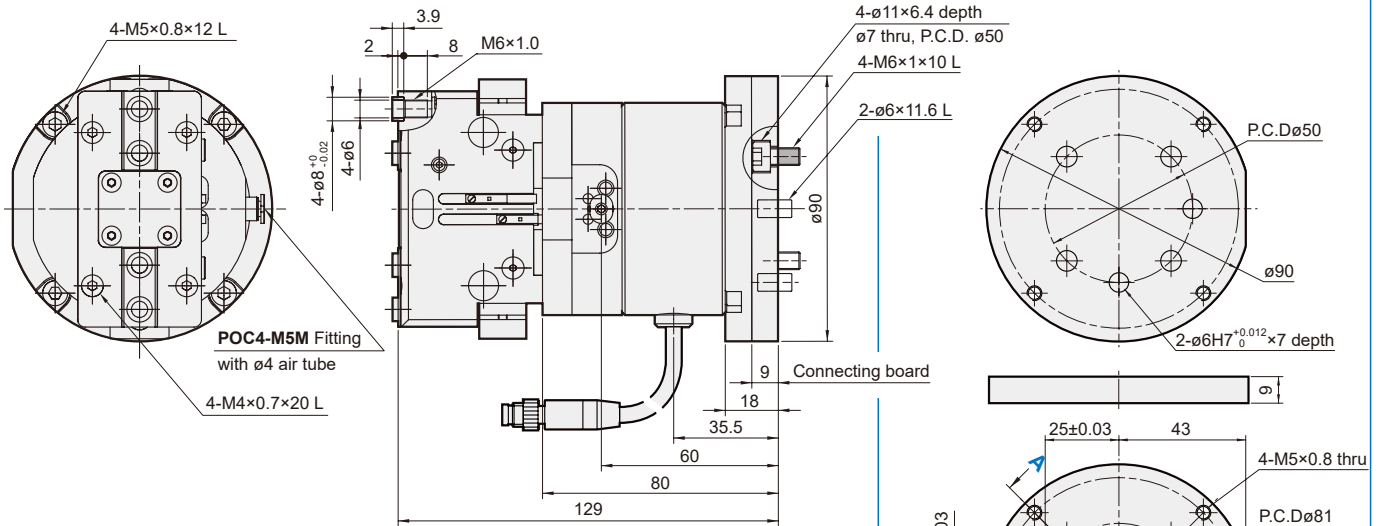
### Holding force

\* Operating pressure 0.6 MPa.

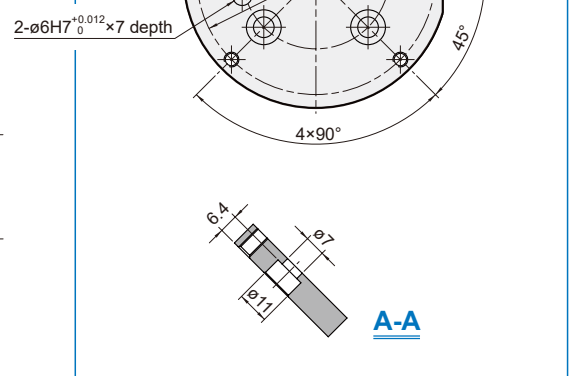
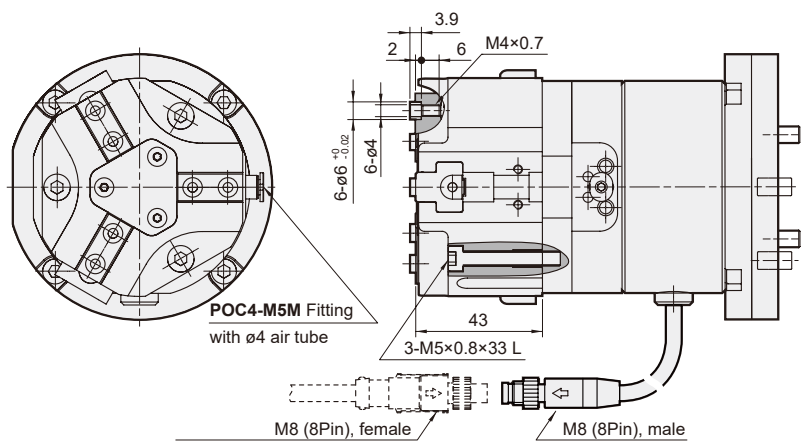


### MCTA-S80-TM

### Connecting board



### MCTA-J66-TM



### PIN Define

#### 8-PIN digital I/O connector of robot

PIN	Color *	8 PIN Define	Directions	Function
1	Brown	+24V	24V Output	—
2	Red	DI_0	Digital Input0	Sensor switch (close)
3	Orange	DI_1	Digital Input1	Sensor switch (open)
4	Yellow	DI_2	Digital Input2	—
5	Green	DO_0	Digital output0	Solenoid valve (open)
6	Blue	DO_1	Digital output1	Solenoid valve (close)
7	Violet	DO_2	Digital output2	—
8	Black	0v	0v	—

\* Color for lead wire of M8 female connector.

### Built-in solenoid valve and sensor switch

