

# HD

## Standard Fittings

Standard fittings are composed of all those items that connect components of various kind and complete the fittings series.  
The table below shows maximum recommended pressures obtained from tests carried out using safety coefficient 4.



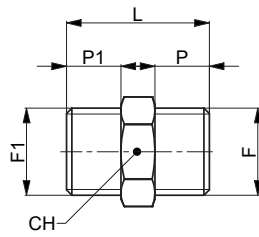
### TECHNICAL CHARACTERISTICS

Temperature	-15 ÷ +80 °C
Max pressure	50 bar
Application fields	pneumatic circuits, low-pressure oleodynamic and hydraulic circuits, vacuum

### CONSTRUCTIVE CHARACTERISTICS

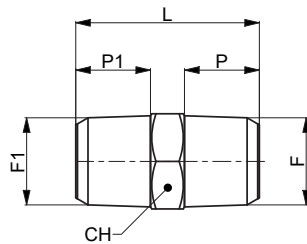
Body	nickel-plated brass, aluminium, zinc-plated steel
------	---

HD01 Parallel nipple



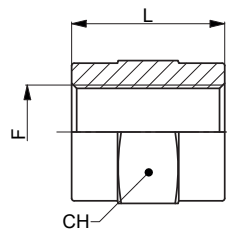
Part No.	CH	F	F1	L	P	P1
HD01M5M5	8	M5	M5	11,5	4	4
HD01M518	14	M5	G1/8	14	4	6
HD011818	14	G1/8	G1/8	16,5	6	6
HD011814	17	G1/8	G1/4	19	6	8
HD011838	19	G1/8	G3/8	20	6	9
HD011414	17	G1/4	G1/4	21,5	8	8
HD011438	19	G1/4	G3/8	22	8	9
HD011412	24	G1/4	G1/2	23,5	8	10
HD013838	19	G3/8	G3/8	23	9	9
HD013812	24	G3/8	G1/2	24,5	9	10
HD011212	24	G1/2	G1/2	25,5	10	10
HD011234	30	G1/2	G3/4	26,5	10	11
HD013434	30	G3/4	G3/4	27,5	11	11

HD02 Taper nipple



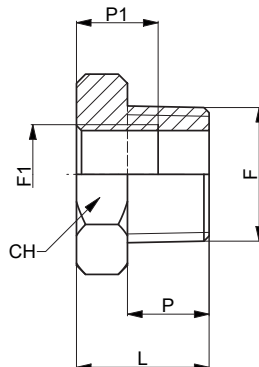
Part No.	CH	F	F1	L	P	P1
HD021818	12	R1/8	R1/8	19	7,5	7,5
HD021814	14	R1/8	R1/4	23	7,5	10,5
HD021838	17	R1/8	R3/8	24	7,5	11,5
HD021414	14	R1/4	R1/4	26	10,5	10,5
HD021438	17	R1/4	R3/8	27,5	10,5	11,5
HD021412	22	R1/4	R1/2	30,5	11,5	14
HD023838	17	R3/8	R3/8	27	11,5	11,5
HD023812	22	R3/8	R1/2	31	11,5	14
HD021212	22	R1/2	R1/2	33,5	14	14
HD021234	27	R1/2	R3/4	37,5	14	14
HD023434	27	R3/4	R3/4	39,5	14	14
HD023401	34	R3/4	R1	43	16	19
HD020101	34	R1	R1	46	19	19

HD03 Parallel female socket



Part No.	CH	F	L
HD0300M5	8	M5	11
HD030018	14	G1/8	15
HD030014	17	G1/4	22
HD030038	22	G3/8	23
HD030012	26	G1/2	28
HD030034	32	G3/4	29

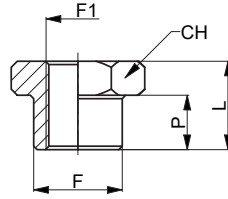
HD04 Reduction M-F taper/parallel thread



Part No.	CH	F	F1	L	P	P1
HD041814	14	G1/4	R1/8	15	11	8
HD041838	17	G3/8	R1/8	16,5	11,5	8
HD041812	22	G1/2	R1/8	19,5	14	8
HD041438	17	G3/8	R1/4	16,5	11,5	11
HD041412	22	G1/2	R1/4	19,5	14	11
HD043812	22	G1/2	R3/8	19,5	14	14
HD043834	27	G3/4	R3/8	20	14	16
HD041234	27	G3/4	R1/2	23,5	16	16

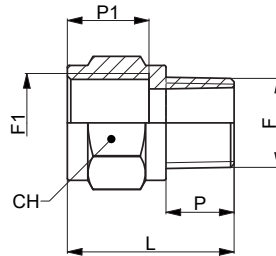
5

**HD05 Reduction M-F parallel thread**



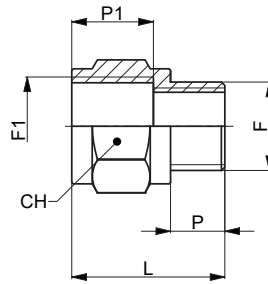
Part No.	CH	F	F1	L	P
HD05M518	14	M5	G1/8	10,5	6
HD051814	17	G1/8	G1/4	13	8
HD051838	19	G1/8	G3/8	14	9
HD051812	24	G1/8	G1/2	15,5	10
HD051438	19	G1/4	G3/8	14	9
HD051412	24	G1/4	G1/2	15,5	10
HD053812	24	G3/8	G1/2	15,5	10
HD053834	30	G3/8	G3/4	16,5	11
HD051234	30	G1/2	G3/4	16,5	11

**HD06 Extension M-F taper/parallel thread**



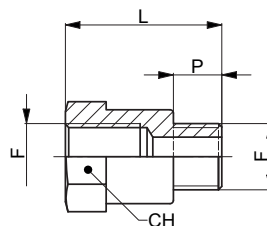
Part No.	CH	F	F1	L	P	P1
HD061818	14	R1/8	G1/8	18	8	8
HD061814	17	R1/8	G1/4	19	8	12
HD061838	22	R1/8	G3/8	21,5	8	12
HD061414	17	R1/4	G1/4	22,5	11	12
HD061438	22	R1/4	G3/8	25	11	12
HD061412	24	R1/4	G1/2	27,5	11	14
HD063838	22	R3/8	G3/8	25	12	12
HD063812	24	R3/8	G1/2	29	12	14
HD061212	26	R1/2	G1/2	30,5	14	14
HD061234	32	R1/2	G3/4	31	14	14

**HD07 Extension M-F parallel thread**



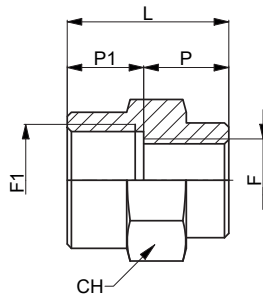
Part No.	CH	F	F1	L	P	P1
HD07M518	14	M5	G1/8	15	5	8
HD071818	14	G1/8	G1/8	16	6	8
HD071814	17	G1/8	G1/4	17,5	6	12
HD071838	22	G1/8	G3/8	20	6	12
HD071414	17	G1/4	G1/4	19,5	8	12
HD071438	22	G1/4	G3/8	22	8	12
HD071412	24	G1/4	G1/2	24	7	14
HD073838	22	G3/8	G3/8	23	9	12
HD073812	24	G3/8	G1/2	25,5	9	14
HD071212	26	G1/2	G1/2	26	10	14

**HD08 Extension M-F parallel thread**



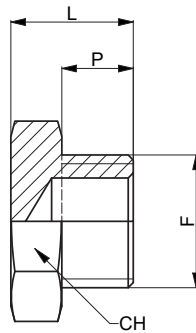
Part No.	CH	F	L	P
HD081822	14	G1/8	22	7
HD081435	17	G1/4	35	8
HD081451	17	G1/4	51	8
HD081842	14	G1/8	42	7

HD09 Extension F-F



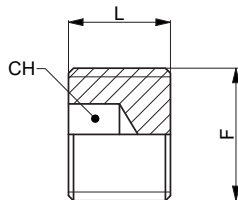
Part No.	CH	F	F1	L	P	P1
HD091814	17	G1/8	G1/4	19,5	12	7
HD091838	22	G1/8	G3/8	20	12	8
HD091812	24	G1/8	G1/2	23,5	13,5	10
HD091438	22	G1/4	G3/8	22,5	14	8,5
HD091412	24	G1/4	G1/2	26	16	100
HD093812	24	G3/8	G1/2	26	16	10
HD091234	32	G1/2	G3/4	30	20	10

HD10 Male plug with hexagon wrench head



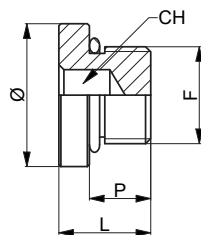
Part No.	CH	F	L	P
HD1000M5	8	M5	7,5	4
HD100018	14	G1/8	11	6
HD100014	17	G1/4	13	8
HD100038	19	G3/8	14	9
HD100012	24	G1/2	15,5	9
HD100034	30	G3/4	16,5	11
HD100001	40	G1	18	12

HD11 Male plug (taper thread) with allen head



Part No.	CH	F	L
HD110018	5	R1/8	8
HD110014	6	R1/4	10
HD110038	8	R3/8	11
HD110012	10	R1/2	13

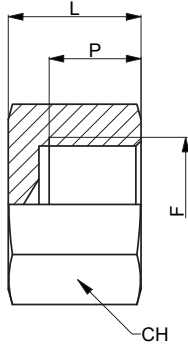
HD12 Male plug with O-ring (allen head)



Part No.	CH	F	L	P	Ø
HD1200M5	2,5	M5	6	4	8
HD120018	5	G1/8	9	6	14
HD120014	6	G1/4	11,5	8	18
HD120038	8	G3/8	12,5	9	22
HD120012	10	G1/2	14,5	10	26

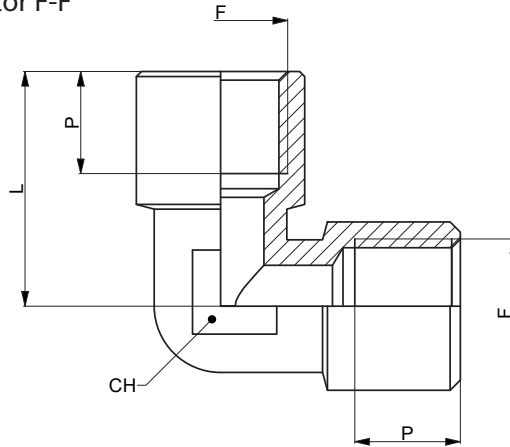
5

HD13 Female plug



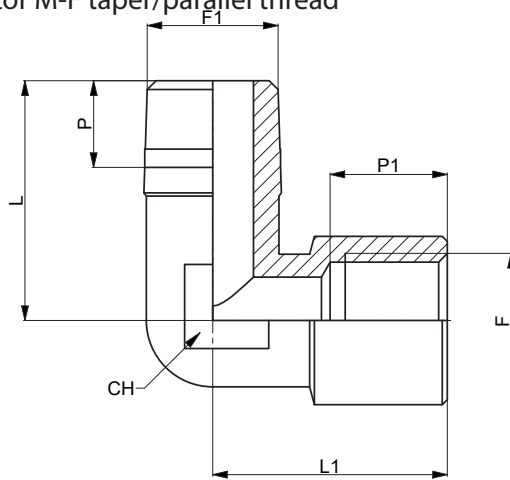
Part No.	CH	F	L	P
HD130018	14	G1/8	11	8
HD130014	17	G1/4	15	12
HD130038	20	G3/8	15	12
HD130012	24	G1/2	18	14

HD14 Elbow connector F-F



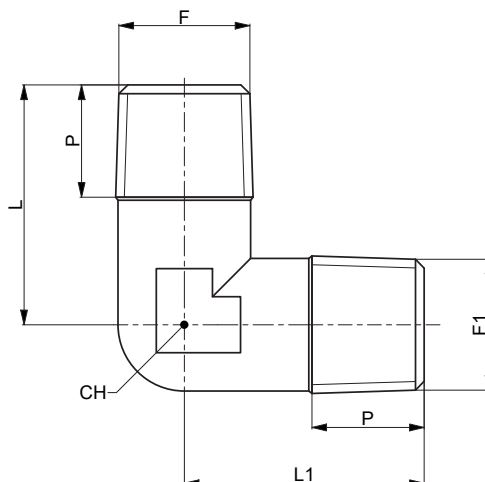
Part No.	CH	F	L	P
HD1400M5	8	M5	11	3
HD140018	10	G1/8	21	8
HD140014	13	G1/4	26,5	11
HD140038	17	G3/8	28	12
HD140012	21	G1/2	33,5	14
HD140034	25	G3/4	36,5	16,5
HD140001	30	G1	45	19

HD15 Elbow connector M-F taper/parallel thread



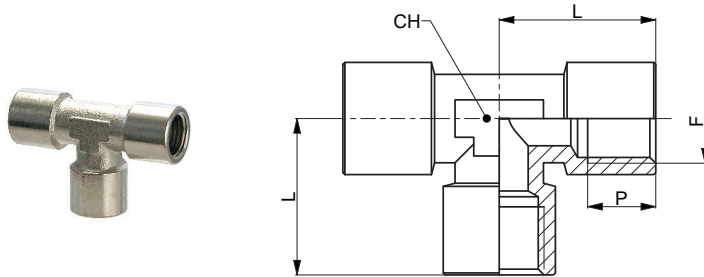
Part No.	CH	F	F1	L	L1	P	P1
HD1500M5	9	M5	M5	11,5	11	4	5
HD150018	10	R1/8	G1/8	17	20	8	8
HD151814	10	R1/8	G1/4	19	23	8	11
HD150014	13	R1/4	G1/4	25	26,5	11	11
HD150038	17	R3/8	G3/8	26	28	11,5	12
HD150012	21	R1/2	G1/2	31	33,5	14	14
HD150034	25	R3/4	G3/4	33	36,5	16	16,5
HD150001	30	R1	G1	45	39	17,5	19

HD16 Elbow connector M-M taper thread



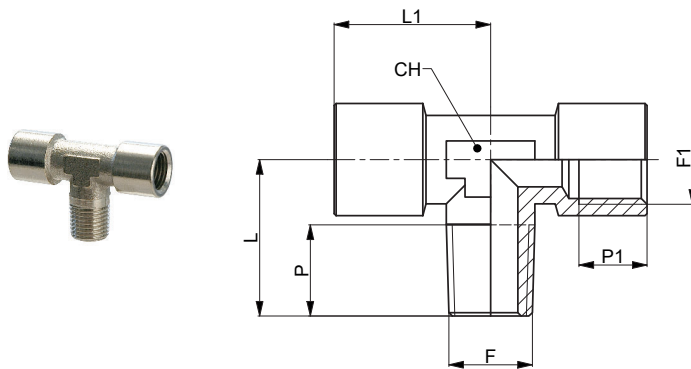
Part No.	CH	F	F1	L	L1	P
HD1600M5	9	M5	-	11	-	4
HD160018	10	R1/8	-	19	-	8
HD161814	10	R1/8	R1/4	19	21	8
HD160014	13	R1/4	-	24	-	11
HD160038	17	R3/8	-	25	-	11,5
HD160012	21	R1/2	-	28,5	-	14
HD160034	25	R3/4	-	33	-	16
HD160001	30	R1	-	39	-	17,5

**HD17 Intermediate Tee F-F-F (parallel thread)**



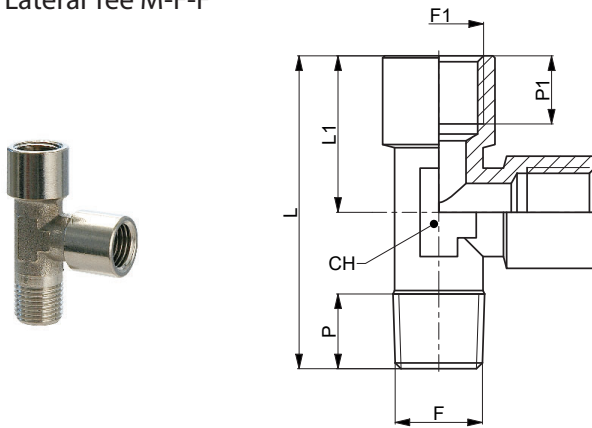
Part No.	CH	F	L	P
HD1700M5	9	M5	11	5
HD170018	10	G1/8	20,5	9
HD170014	13	G1/4	25,8	11
HD170038	17	G3/8	30	12
HD170012	21	G1/2	34,8	14
HD170034	25	G3/4	36,5	16,5
HD170001	30	G1	45	19

**HD18 Central Tee M-F-F**



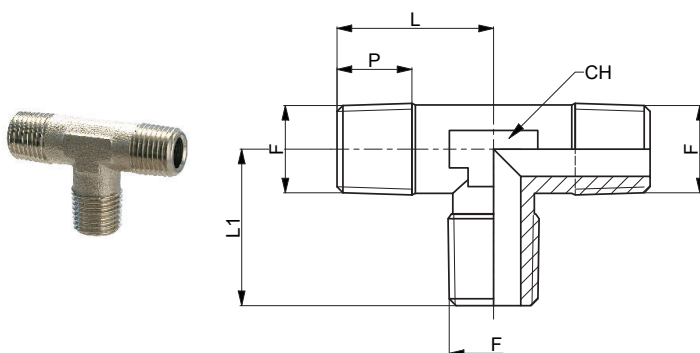
Part No.	CH	F	F1	L	L1	P	P1
HD1800M5	9	M5	M5	11,5	11	4	5
HD180018	10	R1/8	G1/8	19,5	19,5	8	9
HD180014	13	R1/4	G1/4	24,8	25,8	11	11
HD180038	18	R3/8	G3/8	28,5	30	11,5	13
HD180012	21	R1/2	G1/2	31,8	34,8	14	14
HD180034	25	R3/4	G3/4	33	36,5	16	16,5
HD180001	30	R1	G1	39	45	17,5	19

**HD19 Lateral Tee M-F-F**



Part No.	CH	F	F1	L	L1	P	P1
HD1900M5	9	M5	M5	22,5	11,3	4	5
HD190018	10	R1/8	G1/8	38	19,5	8	9
HD190014	13	R1/4	G1/4	50,5	25,8	11	11
HD190038	18	R3/8	G3/8	58,5	30	11,5	13
HD190012	21	R1/2	G1/2	66,5	24,8	14	14
HD190034	25	R3/4	G3/4	69,5	34,8	16	16,5
HD190001	30	R1	G1	84	42	17,5	19

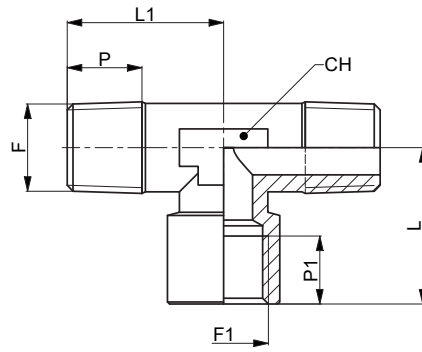
**HD20 Intermediate Tee M-M-M (taper thread)**



Part No.	CH	F	L	L1	P
HD200018	10	R1/8	18,5	19	8
HD200014	13	R1/4	24,7	24,7	11
HD200038	17	R3/8	28,5	28,5	11,5
HD200012	21	R1/2	31,7	31,7	14
HD200034	25	R3/4	33,2	33	16,2
HD200001	30	R1	39	39	17,5

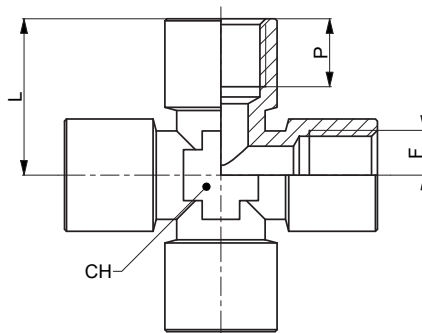
5

HD21 Lateral Tee M-F-M



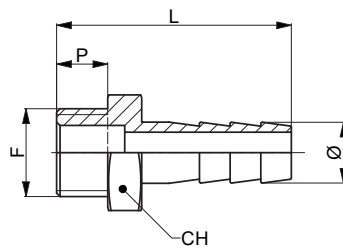
Part No.	CH	F	F1	L	L1	P	P1
HD210018	10	R1/8	G1/8	20,5	18,5	8	9
HD210014	13	R1/4	G1/4	25,8	24,8	11	11
HD210038	17	R3/8	G3/8	28,5	28,5	11,5	13
HD210012	21	R1/2	G1/2	34,8	31,8	14	14
HD210034	25	R3/4	G3/4	36,5	33,2	16,2	16,5
HD210001	30	R1	G1	45	36,5	17,5	19

HD22 Cross F-F-F-F



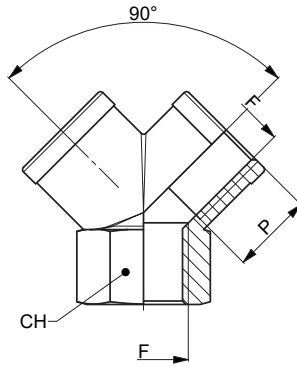
Part No.	CH	F	L	P
HD220018	10	G1/8	21	8
HD220014	13	G1/4	25,5	11
HD220038	17	G3/8	28	11,5
HD220012	21	G1/2	33,5	14

HD24 Tube adaptor (parallel thread)



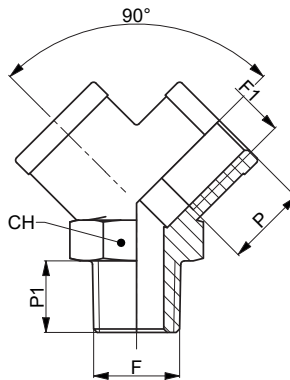
Part No.	CH	F	L	P	Ø
HD2404M5	8	M5	15,5	5	4
HD240618	14	G1/8	32,5	8	6
HD240718	14	G1/8	32,5	8	7
HD240818	14	G1/8	32,5	8	8
HD240918	14	G1/8	32,5	8	9
HD241018	14	G1/8	32,5	8	10
HD240614	17	G1/4	36	11	6
HD240714	17	G1/4	36	11	7
HD240814	17	G1/4	36	11	8
HD240914	17	G1/4	38	11	9
HD241014	17	G1/4	38	11	10
HD241214	17	G1/4	38	11	12
HD240938	19	G3/8	38,5	11,5	9
HD241038	19	G3/8	38,5	11,5	10
HD241238	19	G3/8	38,5	11,5	12
HD241438	19	G3/8	40,5	11,5	14
HD241738	19	G3/8	40,5	11,5	17
HD241212	24	G1/2	46	14	12
HD241412	24	G1/2	46	14	14
HD241712	24	G1/2	46	14	17
HD242012	30	G1/2	46	14	20
HD242034	30	G3/4	46,5	16	20

HD25 Y connector F-F-F



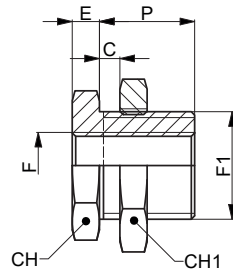
Part No.	CH	F	P
HD250018	13	G1/8	8
HD250014	17	G1/4	11
HD250038	20	G3/8	11,5
HD250012	25	G1/2	14

HD26 Y connector M-F-F



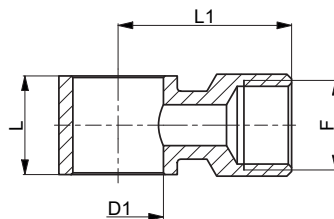
Part No.	CH	F	F1	P	P1
HD260018	13	R1/8	G1/8	8	8
HD260014	17	R1/4	G1/4	11	11
HD260038	20	R3/8	G3/8	11,5	11,5
HD260012	25	R1/2	G1/2	14	14

HD27 Threaded bulkhead connector



Part No.	C MAX	CH	CH1	E	F	F1	P
HD2700M5	6,5	14	14	3,5	M5	M10x1	10,5
HD270018	10	19	22	4	G1/8	M16x1,5	14
HD270014	16	24	27	4	G1/4	M20x1,5	21
HD270038	15	30	32	5	G3/8	M26x1,5	21
HD270012	21	32	36	6	G1/2	M28x1,5	27

HD32 Female single banjo

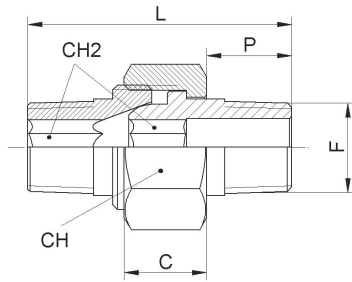


Part No.	D1	F	L	L1
HD3200M5	5,1	M5	9	13,5
HD320018	9,9	1/8	14,5	22
HD320014	13,3	1/4	14,5	25,5

5

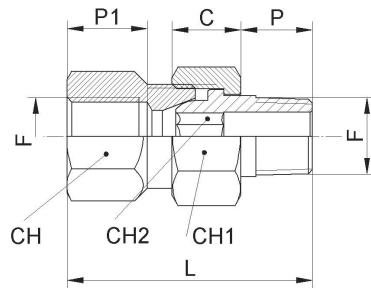


HD33 Taper nipple - 3 pieces



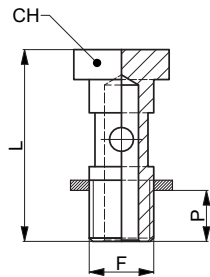
Part No.	C	CH	CH2	F	L	P
HD330018	8,6	15	5	R1/8	27	9
HD330014	9,6	19	6	R1/4	33,5	11,5
HD330038	10	22	8	R3/8	36	13
HD330012	12	27	12	R1/2	45	15,5
HD330034	17	36	14	R3/4	53	18
HD330001	20	46	19	R1	64	22

HD34 Female nipple - 3 pieces



Part No.	C	CH	CH1	CH2	F	L	P	P1
HD340018	8,5	14	15	5	G1/8	30,5	9	10
HD340014	9,5	17	19	6	G1/4	37	12	12
HD340038	10	21	22	8	G3/8	40	12	12
HD340012	12	25	27	12	G1/2	48	15	15

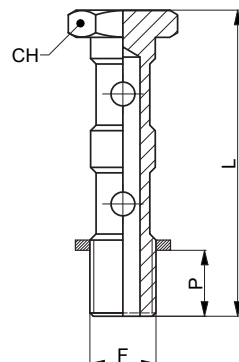
HD42 Single banjo bolt taper thread



Part No.	CH	F	L	P
HD4200M5	8	M5	18	4
HD420018	14	R1/8	28	6
HD420014	17	R1/4	30	8
HD420038	19	R3/8	30,5	8,5
HD420012	24	R1/2	32	10

Washer to be used: HD46 2 pcs

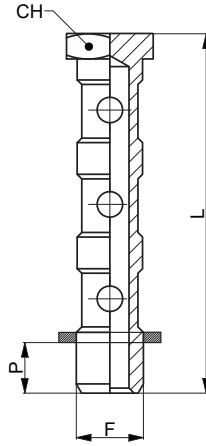
HD43 Double banjo bolt taper thread



Part No.	CH	F	L	P
HD430018	14	R1/8	44	6
HD430014	17	R1/4	46	8
HD430038	19	R3/8	47	8,5
HD430012	24	R1/2	48	10

Washer to be used: HD46 3 pcs

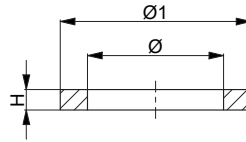
HD44 Triple banjo bolt taper thread



Part No.	CH	F	L	P
HD440018	14	R1/8	59	6
HD440014	17	R1/4	61,5	8

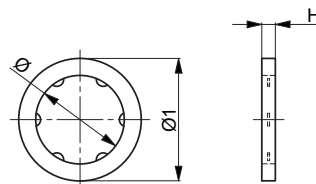
Washer to be used: HD46 4 pcs

HD45 Aluminium washer



Part No.	Ø	Ø1	H
HD4500M5	5	9	1
HD450018	10	14	1,5
HD450014	13,5	18	1,5
HD450038	17	22	1,5
HD450012	21,5	27	1,5

HD46 Indented nylon washer

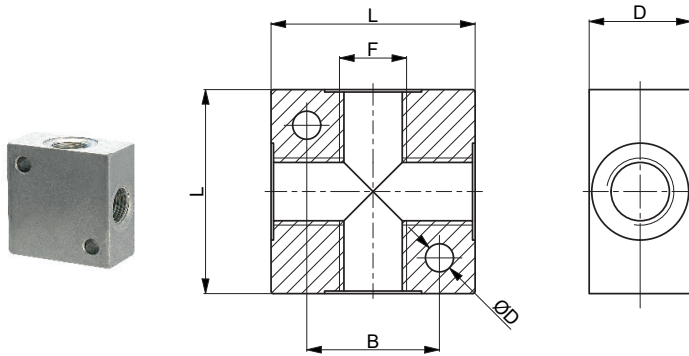


Part No.	Ø	Ø1	H
HD4600M5	5	8,0	1,0
HD460018	10	14,0	2,0
HD460014	13	17,5	2,0
HD460038	17	21,5	2,0
HD460012	21	26,5	2,0

5

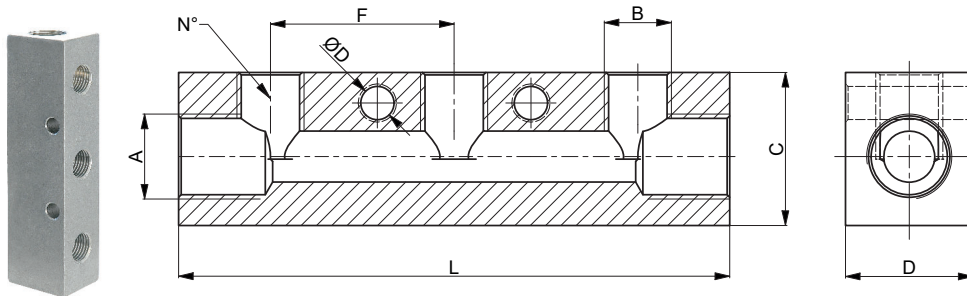
ACCESSORIES

HD23 Cross block F-F-F-F



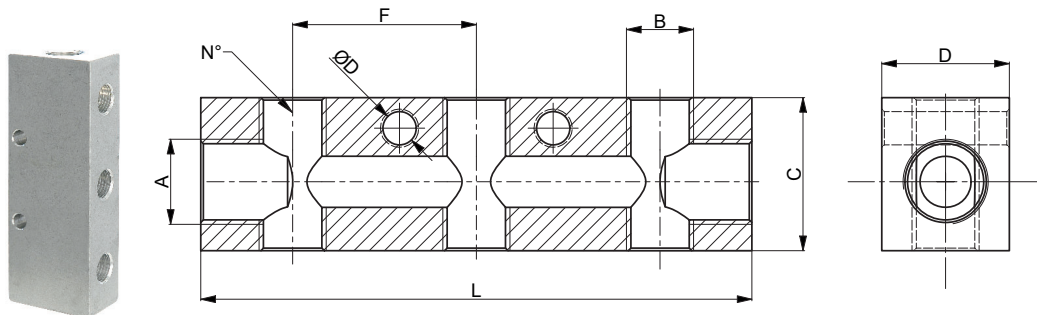
Part No.	B	D	F	L	ØD
HD230018	17	15	G1/8	25	4,5
HD230014	26	20	G1/4	40	5,5
HD230038	34	25	G3/8	50	5,5
HD230012	34	30	G1/2	50	5,5

HD30 Distribution manifold (single outlets)



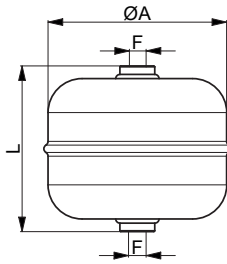
Part No.	A	B	C	D	F	L	ØD	N°
HD301803	G1/4	G1/8	30	20	30	90	4,5	3
HD301804	G1/4	G1/8	30	20	30	120	4,5	4
HD301805	G1/4	G1/8	30	20	30	150	4,5	5
HD301806	G1/4	G1/8	30	20	30	180	4,5	6
HD301403	G3/8	G1/4	30	25	36	108	6	3
HD301404	G3/8	G1/4	30	25	36	144	6	4
HD301405	G3/8	G1/4	30	25	36	180	6	5
HD301406	G3/8	G1/4	30	25	36	216	6	6
HD303803	G1/2	G3/8	35	28	40	130	6	3
HD303804	G1/2	G3/8	35	28	40	170	6	4
HD303805	G1/2	G3/8	35	28	40	220	6	5
HD303806	G1/2	G3/8	35	28	40	250	6	6

HD31 Distributors manifold (double outlets)



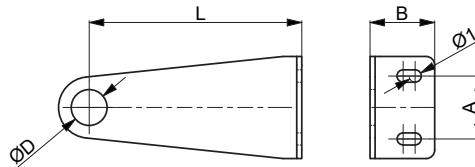
Part No.	A	B	C	D	F	L	ØD	N°
HD311803	G1/4	G1/8	30	20	30	90	4,5	3+3
HD311804	G1/4	G1/8	30	20	30	120	4,5	4+4
HD311805	G1/4	G1/8	30	20	30	150	4,5	5+5
HD311403	G3/8	G1/4	40	25	36	108	6	3+3
HD311404	G3/8	G1/4	40	25	36	144	6	4+4
HD311405	G3/8	G1/4	40	25	36	180	6	5+5

HD40 Reservoir (Max pressure 10 bar)



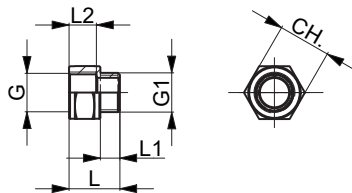
Part No.	ØA	F	L	Capacity L
HD400100	86	1/2	230	1
HD400250	160	1/2	175	2,5
HD400500	210	1/2	195	5
HD400700	210	1/2	260	7
HD401200	229	1/2	365	12

HD410000A Stainless steel AISI 301 bracket



Part No.	A	B	L	ØD	Ø1
HD410000A	37	38	125	21	7

HD410000B Reservoir extension



Part No.	CH	G	G1	L	L1	L2
HD410000B	27	G1/2	G1/2	26	10	14

5