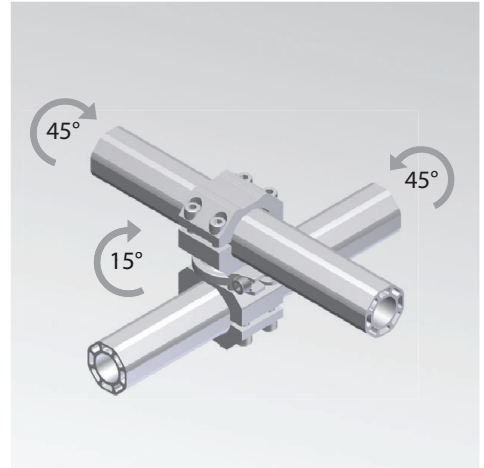
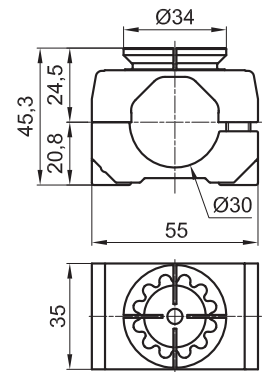
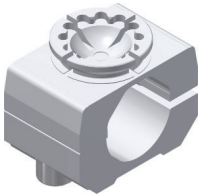


## Cross joints

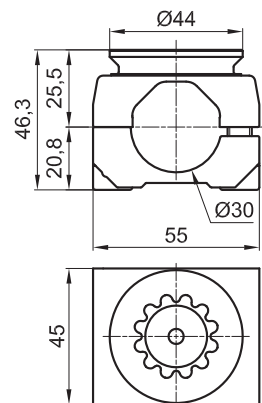
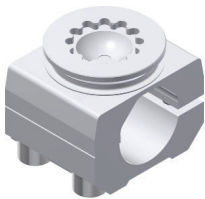


### GR8CJ30C Cross joint 30 for ball mounting



	Tightening torque	Screw
GR8CJ30C	25 Nm	M8x25
Material:	Aluminium	
Weight:	0,145 kg	
Max static load:	80 Nm	

### GR8CJ30D Cross joint 30 D

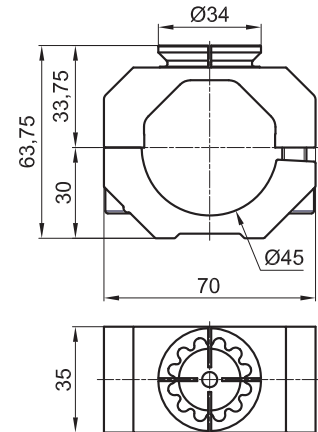


	Tightening torque	Screw
GR8CJ30D	25 Nm	M8x25
Material:	Aluminium	
Weight:	0,21 kg	
Max static load:	200 Nm	

## GR8CJ45C Cross joint 45 for ball mounting



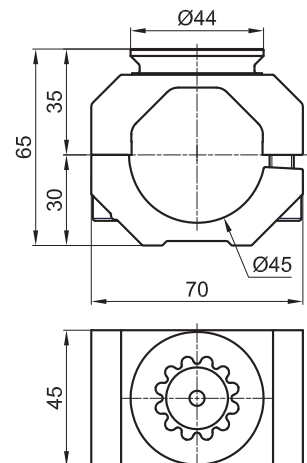
	Tightening torque	Screw
GR8CJ45C	25 Nm	M8x25
<b>Material:</b>	Aluminium	
<b>Weight:</b>	0,230 kg	
<b>Max static load:</b>	80 Nm	



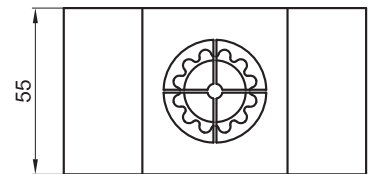
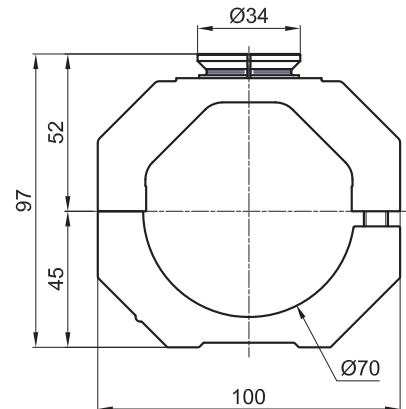
## GR8CJ45D Cross joint 45



	Tightening torque	Screw
GR8CJ45D	25 Nm	M8x25
<b>Material:</b>	Aluminium	
<b>Weight:</b>	0,3 kg	
<b>Max static load:</b>	200 Nm	

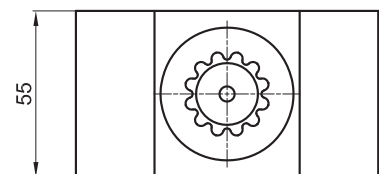
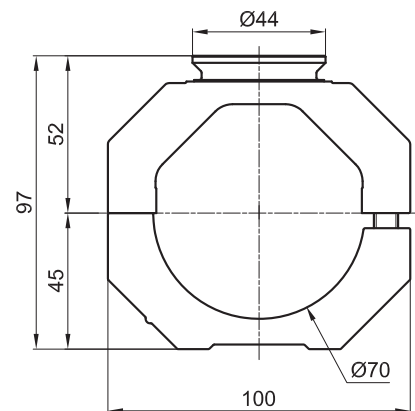


## GR8CJ70C Cross joint 70 for ball mounting



	Tightening torque	Screw
GR8CJ70C	25 Nm	M8x25
Material:	Aluminium	
Weight:	0,59 kg	
Max static load:	80 Nm	

## GR8CJ70D Cross joint 70 D



	Tightening torque	Screw
GR8CJ70D	25 Nm	M8x25
Material:	Aluminium	
Weight:	0,62 kg	
Max static load:	200 Nm	