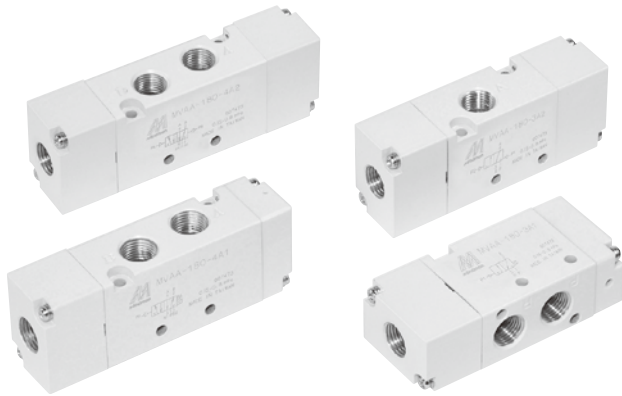


MVAA-180 series

PILOT VALVE



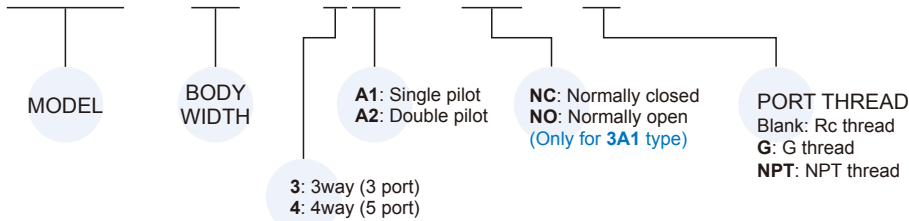
Specification

Model	3A1	3A2	4A1	4A2
Bore No.	6A			
Port size	Rc1/8			
No. of port	3		5	
Medium	Air			
Operating pressure range (MPa)	0~0.8	0.15~0.8	0~0.8	
Proof pressure	1 MPa			
Effective orifice	12 mm ²			
Pilot pressure range	(0.45×P*+0.1)~0.8 MPa			
Ambient temperature	-5~+60°C (No freezing)			
Weight	61 g	74 g	71 g	84 g

* P: Operating pressure.

Order example of valve

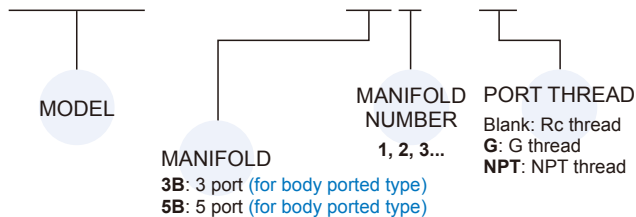
MVAA – 180 – 4A2 – NC – G



* Use the same manifold with MVSC1.

Order example of manifold

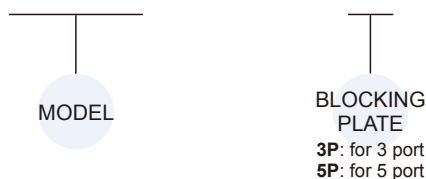
MVSC1 – 180 – 3B3 – G



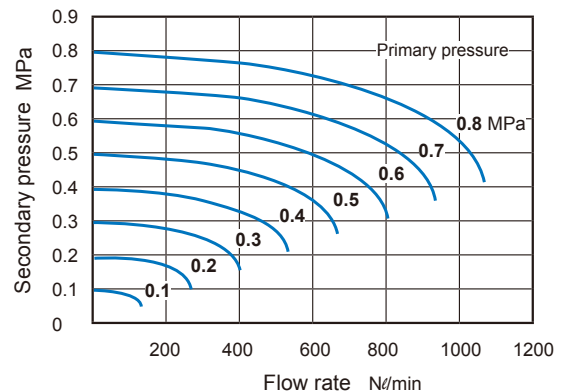
* Use the same blocking plate with MVSC1.

Order example of blocking plate

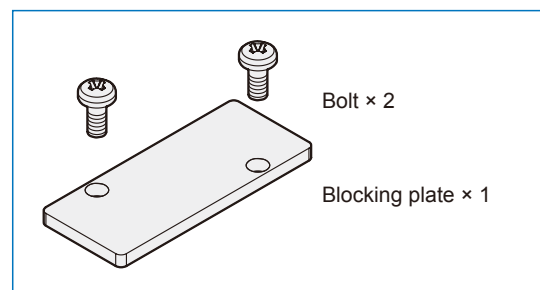
MVSC1 – 180 – 5P



Flow features



Blocking plate parts

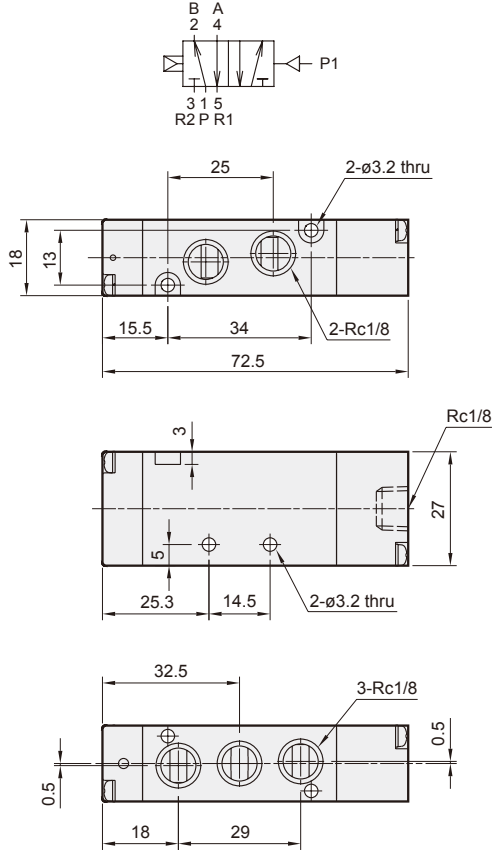


MVAA-180 Dimensions

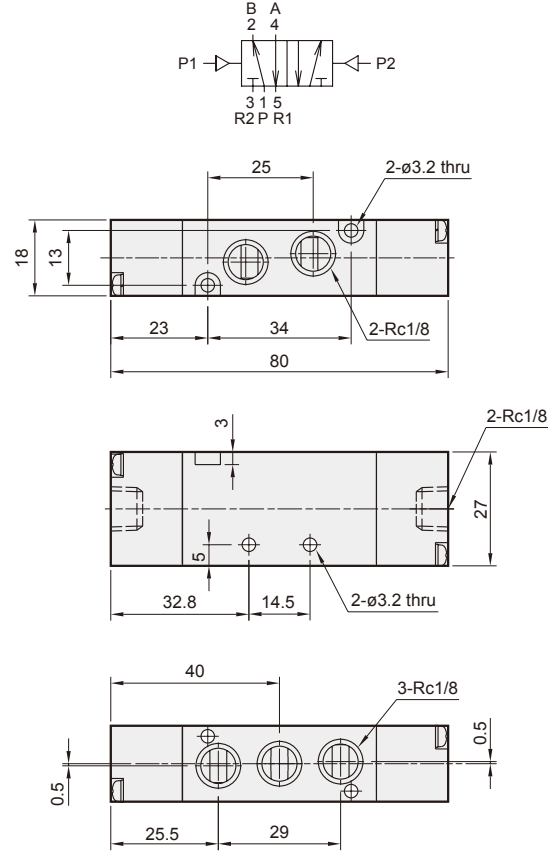
PILOT VALVE



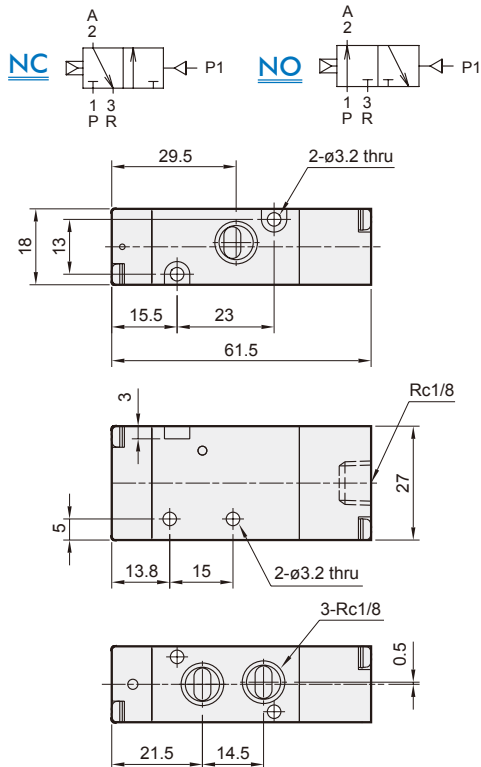
MVAA-180-4A1



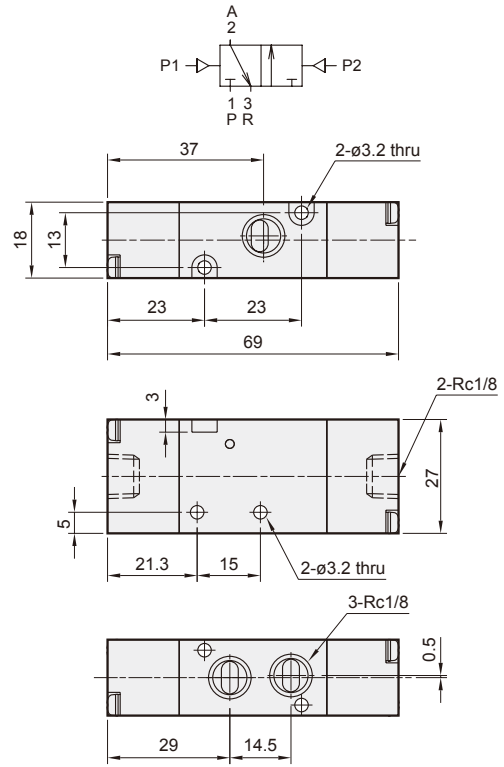
MVAA-180-4A2



MVAA-180-3A1-NC/NO



MVAA-180-3A2



MVAA-180 Manifold

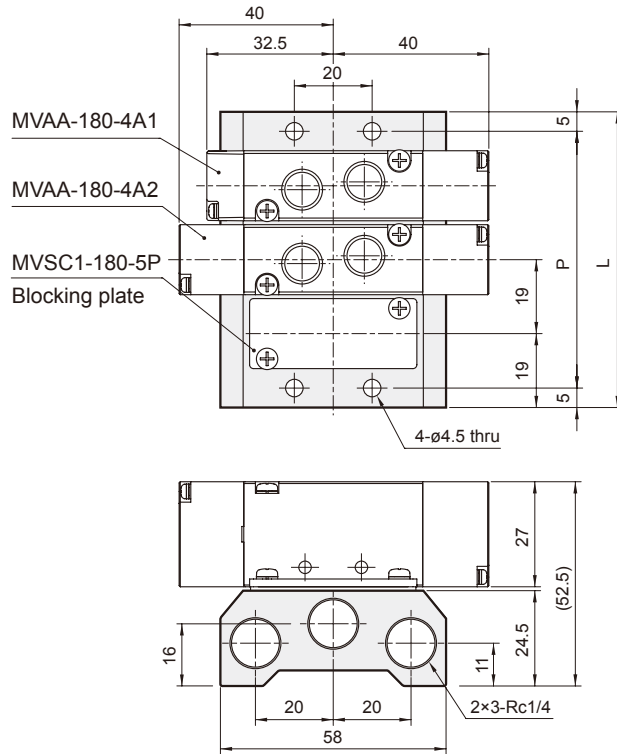
PILOT VALVE



MVSC1-180-5B*

* Use the same manifold with MVSC1.

5 port (for body ported type)

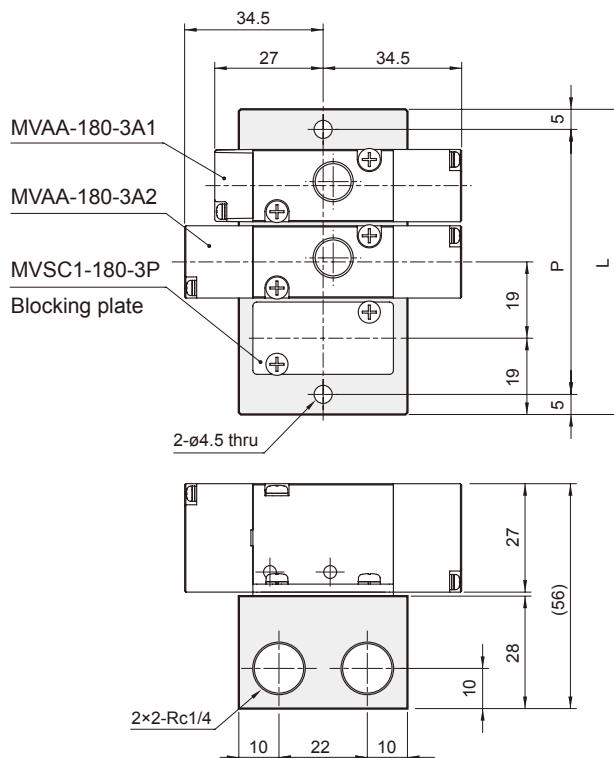


No. of stations	P	L
2	47	57
3	66	76
4	85	95
5	104	114
6	123	133
7	142	152
8	161	171
9	180	190
10	199	209

MVSC1-180-3B*

* Use the same manifold with MVSC1.

3 port (for body ported type)



No. of stations	P	L
2	47	57
3	66	76
4	85	95
5	104	114
6	123	133
7	142	152
8	161	171
9	180	190
10	199	209