

### Specification

Model	MSL*
Medium	Air
Operating pressure range	0.2~1 MPa
Proof pressure	1.5 MPa
Ambient temperature	-5~+60°C (No freezing)
Lubrication	Not required
Cushion	With rubber cushion pad

Model	Magnet	Sensor switch (*)	Weight
MSLP- $\phi$ 32-40	○	RCE, RCE1, RDEP	840 g
MSLL- $\phi$ 25-30	×	—	1850 g
MSLL- $\phi$ 40-30	○	RCM (Band BM40)	4550 g
MSLD- $\phi$ 50-50	○	RCE, RCE1, RDEP	8750 g

\* RCE, RCE1, RCM, RDEP specifications, please refer to page 8-12, 13, 16, 18.

### Order example

**MSLL — 25 — 30 — D — G**

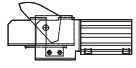
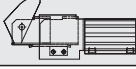

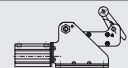
TUBE I.D.  
(mm)

STROKE  
(mm)

PORT THREAD  
Blank: Rc thread  
**G**: G thread  
**NPT**: NPT thread

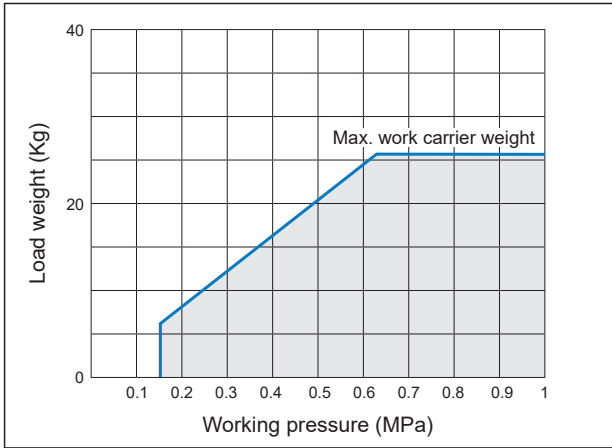
MODEL

OPERATION TYPE

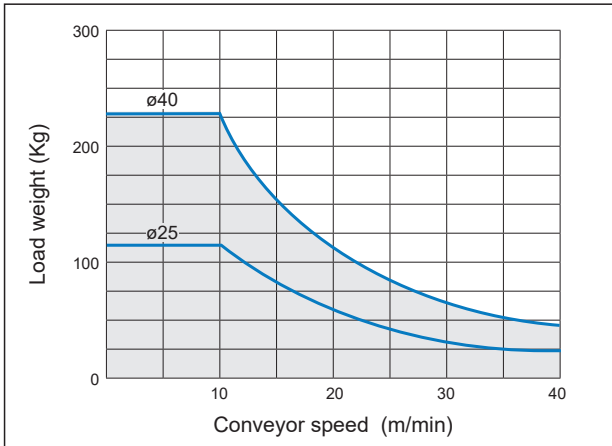
Code	Type of cylinder	Tube I.D.-Stroke	Code	Description
<b>MSLP</b>		32 - 40	<b>P</b>	Double acting Extend type
			<b>CP</b>	Double acting Return type
<b>MSLL</b>		25 - 30 40 - 30	Blank	Double acting with spring
			<b>D</b>	Double acting without spring
<b>MSLD</b>		50 - 50	Blank	Double acting with spring and shock absorber

**STOPPER CYLINDER**

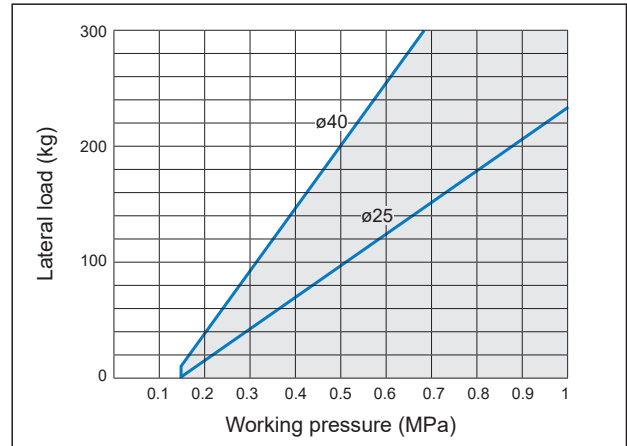
**MSLP-\***  $\phi 32$   
Capacity



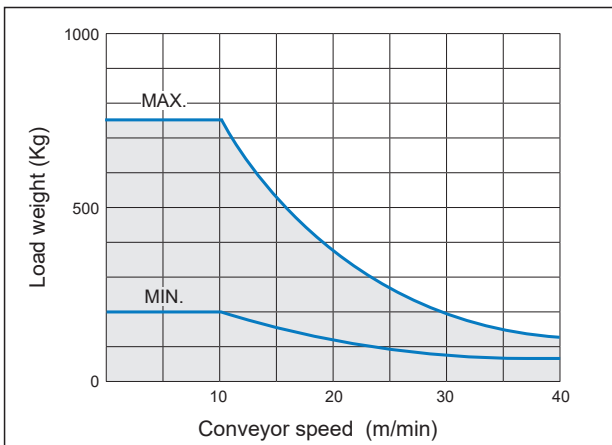
**MSLL  $\phi 25, \phi 40$**   
Capacity



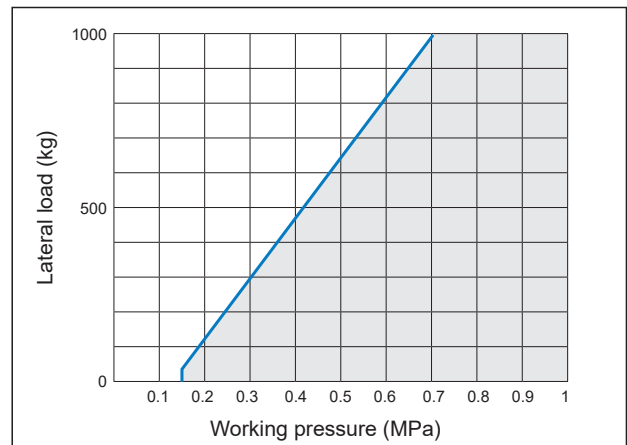
**MSLL  $\phi 25, \phi 40$**   
Normal lateral load



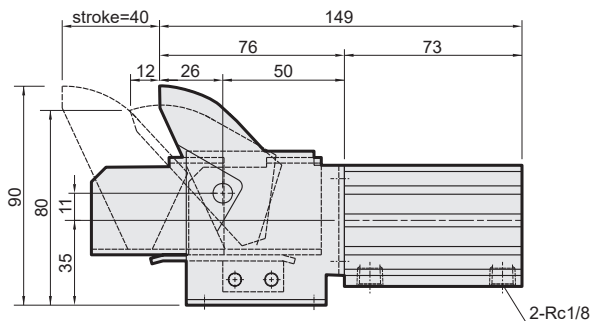
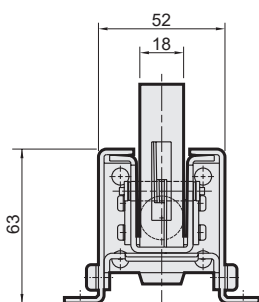
**MSLD  $\phi 50$**   
Capacity



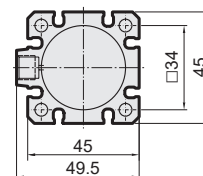
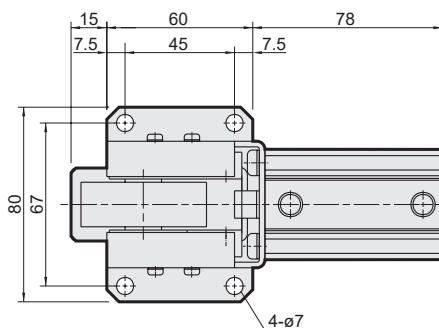
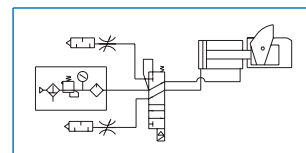
**MSLD  $\phi 50$**   
Normal lateral load



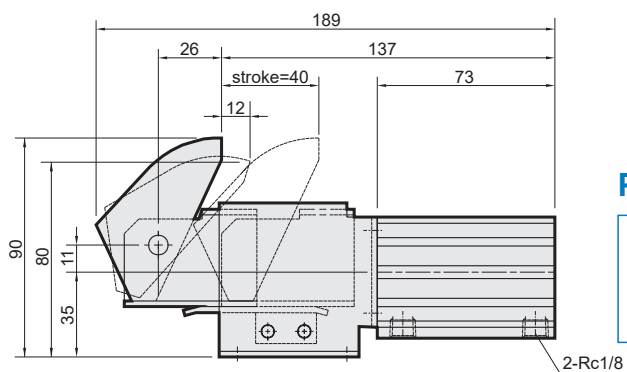
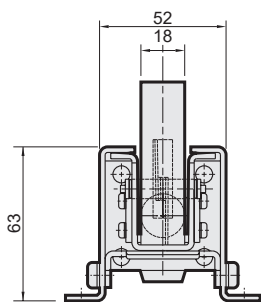
### MSLP-P $\phi 32-40$



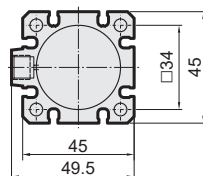
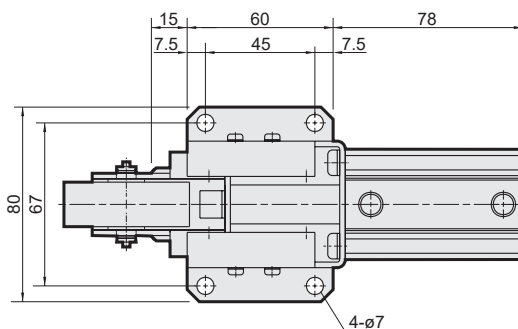
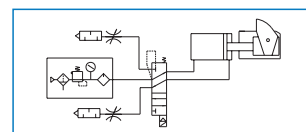
#### Piping diagram



### MSLP-CP $\phi 32-40$

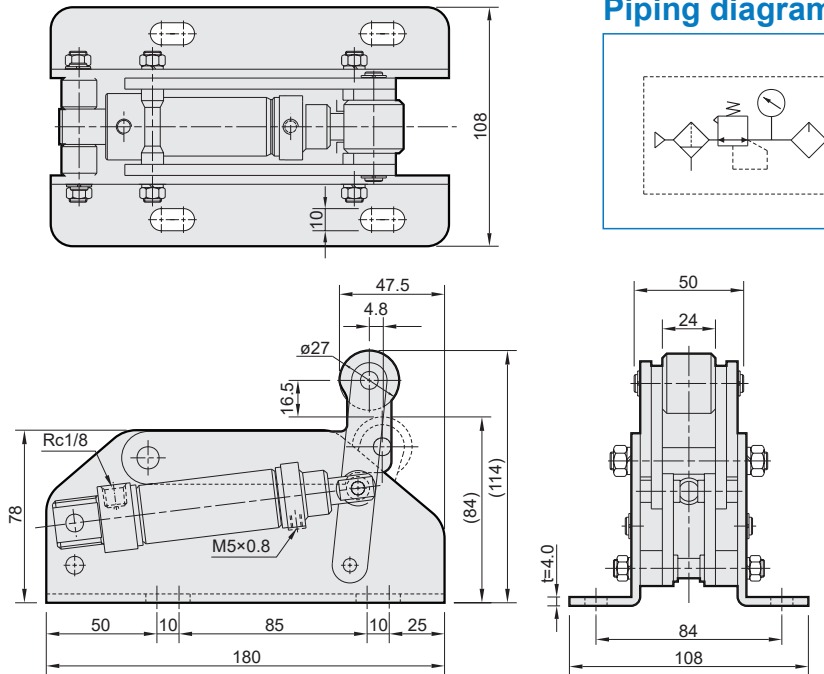


#### Piping diagram

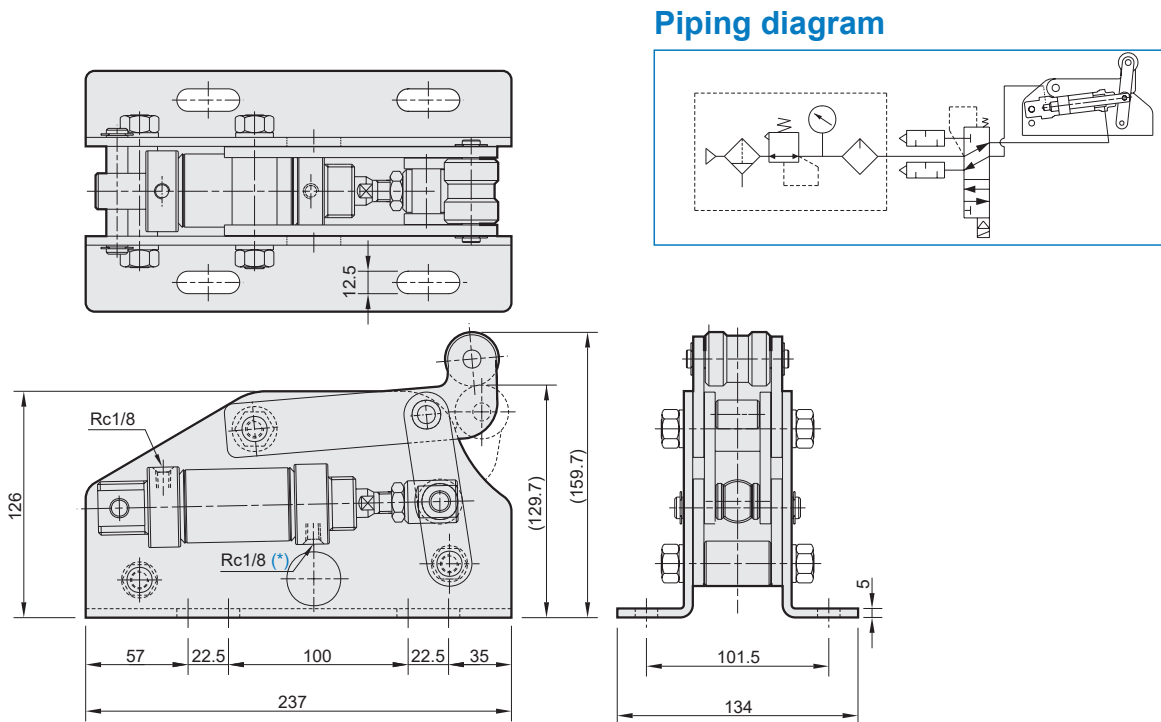


**STOPPER CYLINDER**

**MSLL  $\varnothing 25-30$**

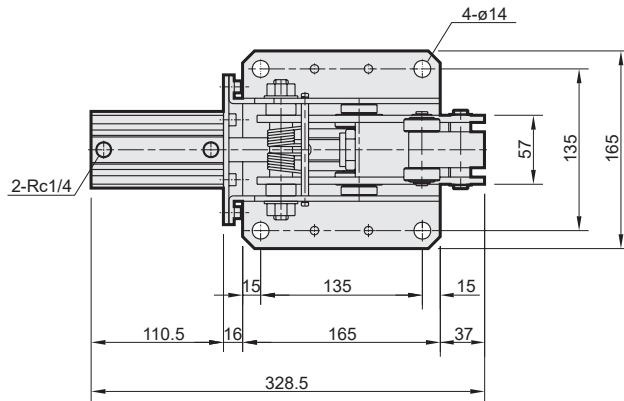


**MSLL  $\varnothing 40-30$**

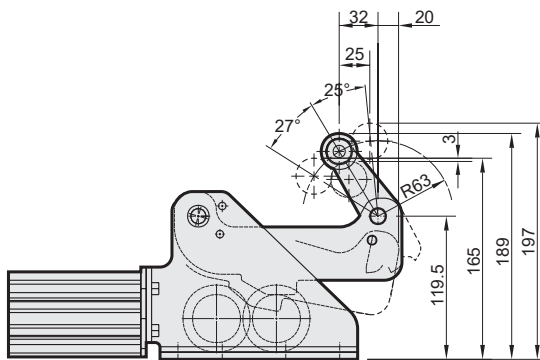
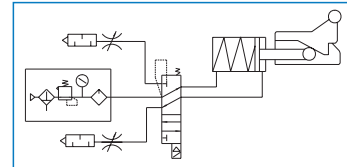


\*M5x0.8  
Double acting with spring Stopper with roller (Option)

### MSLD $\phi 50-50$



### Piping diagram



\* Roller is made of rolled steel.

