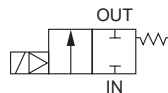


2/2 N.C.



### Features

- Process valve for special environment.

### Specification

- IP65 waterproof coil.
- Continuous cycle, 100% ED.
- Open: 100~200ms, Close: 200~400ms

### Power consumption

Coil power	2	3	2E
AC (VA)	6.9	8	5.3
DC (W)	6.2	6.8	5.2

### Dimensions

Model	MUSK		
Code Dimension (mm)	2	3	2E
C	65		
D	24		
H	77		
L	55		
W	38		
N.W (kg)	0.30	0.35	0.62

### Order example

**MUSK – 15 – 0 – J – 2 – D – C – DC24 – G**

MODEL

CODE

ORIFICE

COIL

PLUNGER

PORT THREAD

15: 1/2

0: Standard

2: Standrad  
3: Bigger  
2E: Explosion-proof (\*1)

Blank: Standard  
C: PTFE coating

Blank: Rc thread  
G: G thread  
NPT: NPT thread

SEAL MAT'L

PLUG

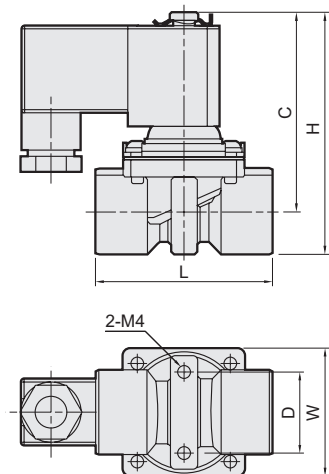
VOLTAGE

N: NBR  
J: EPDM  
V: Viton

Blank: DIN  
D: LED  
G: 1/2" NPT  
Y: 2 wires (Only for coil 2)

AC220V(50/60)Hz  
AC110V(50/60)Hz  
DC24V

\*1. Explosion-Proof (2E) coil with LED (D) plug is not applicable.



### Specification

\* A: Air, L: Liquid

Model **MUSK**: SCS14 S.S. body, #304 cover, for water, air, gas, light oil, Vacuum etc. 2/2 way N.C.

Code (Port)	Seal mat'l	Coil	Orifice mm	Temp. °C				Working press. (0~ bar)										CV	Torr		
				Coil 2,2E		Coil 3		Coil 2		Coil 3		Coil2E									
				N	J,V	N	J,V	AC	DC	AC	DC	AC	DC								
				A*	L*	A	L	A	L	A	L	A	L								
15(1/2)	N J V	2 3 2E	15	-5~60	-10~60	-5~60	-10~120	6.5	4.0	4.5	3.0	9.0	7.0	6.0	5.0	5.0	4.0	4.0	3.0	2.0	10 <sup>-1</sup>