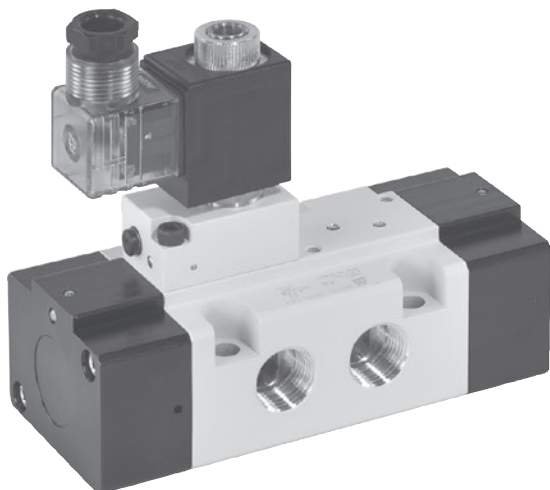


# MVSE-510 series

SOLENOID VALVE



## Specification

Model	4E1	4E2
Bore No.	15A	
Port size	1/2	
No. of port	5	
No. of position	2	
Medium	Air	
Operating pressure range	0.2~0.7 MPa	
Proof pressure	1 MPa	
Effective orifice	65 mm <sup>2</sup>	
Response time	60 ms	
Ambient temperature	-5~+50°C (No freezing)	
Voltage	AC110V, 220V (50/60)Hz, DC24V	
Power consumption	AC=13/11VA, DC=10W	
Available voltage range	±10%	
Insulation class	H class	
Weight	1523 g	1808 g

## Order example of valve

**MVSE - 510 - 4E2 - AC110 - L - G**

MODEL

BODY WIDTH

4: 4 way (5 port)

E1: Single Solenoid  
E2: Double Solenoid

VOLTAGE

AC220V(50/60)Hz  
AC110V(50/60)Hz  
DC24V

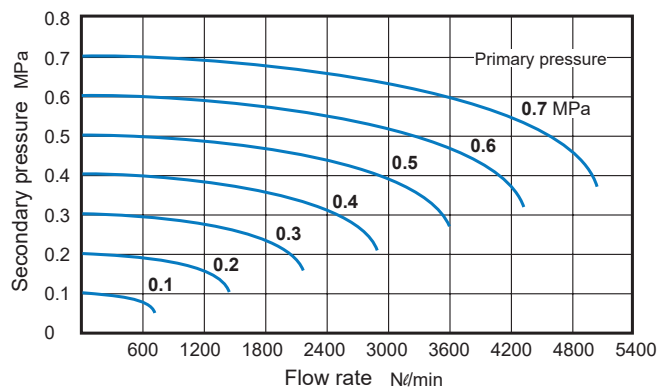
ELECTRIC CONNECTION

Blank: DIN terminal  
L: DIN terminal with LED indicator

PORT THREAD

Blank: Rc thread  
G: G thread  
NPT: NPT thread

## Flow features

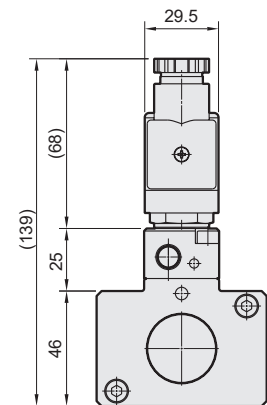
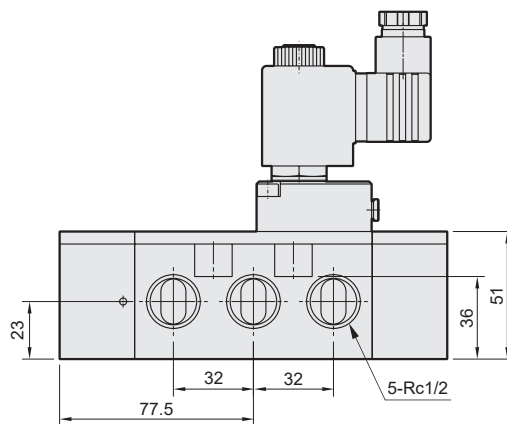
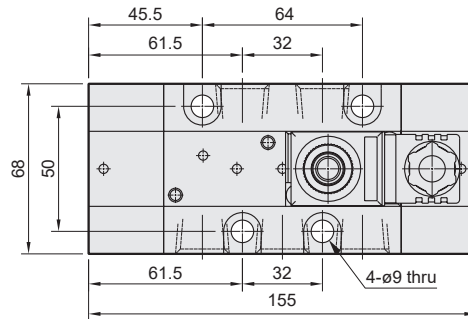
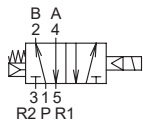


# MVSE-510 Dimensions

## SOLENOID VALVE



### MVSE-510-4E1



### MVSE-510-4E2

