



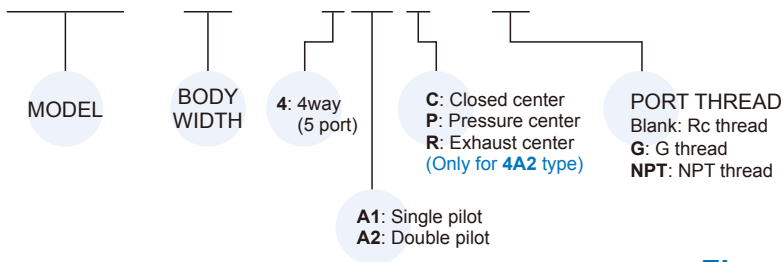
Specification

Model	4A1	4A2	4A2C.P.R
Bore No.	8A		
Port size	Rc1/4		
No. of port	5		
Medium	Air		
Operating pressure range	0~0.8 MPa		
Proof pressure	1 MPa		
Effective orifice	18 mm ²		
Pilot pressure range	(0.3×P*+0.1)~0.8 MPa		
Ambient temperature	-5~+60°C (No freezing)		
Weight	153 g	163 g	219 g

* P: Operating pressure.

Order example of valve

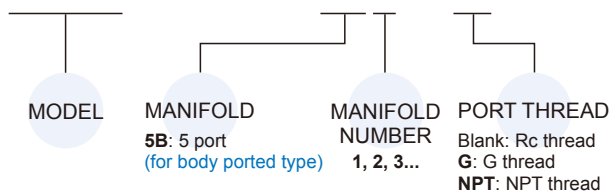
MVAA – 260 – 4A2C – G



* Use the same manifold with MVSC.

Order example of manifold

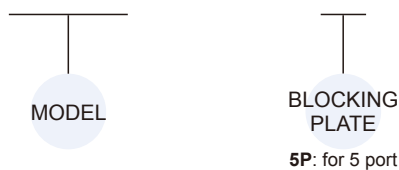
MVSC – 260 – 5B3 – G



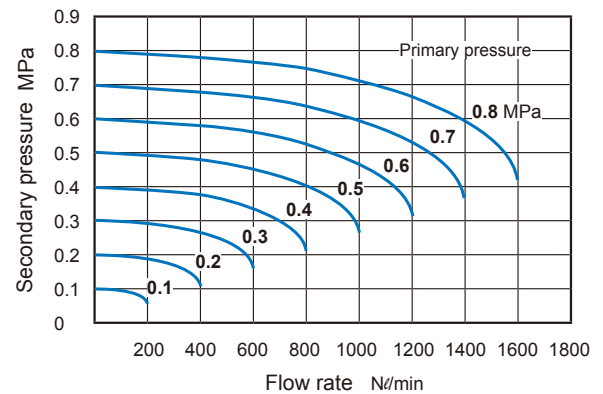
* Use the same blocking plate with MVSC.

Order example of blocking plate

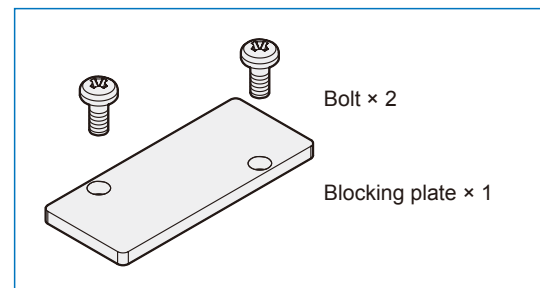
MVSC – 260 – 5P



Flow features



Blocking plate parts

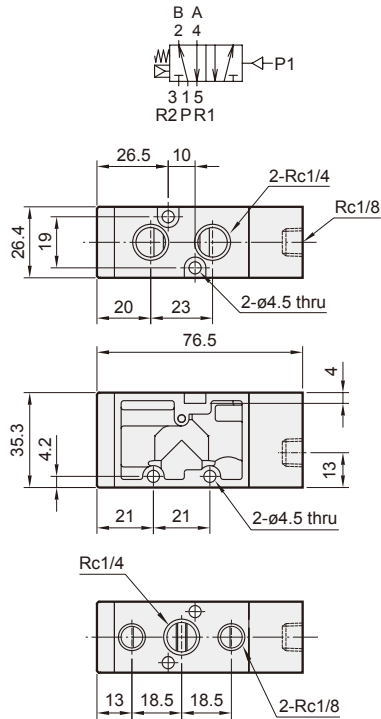


MVAA-260 Dimensions

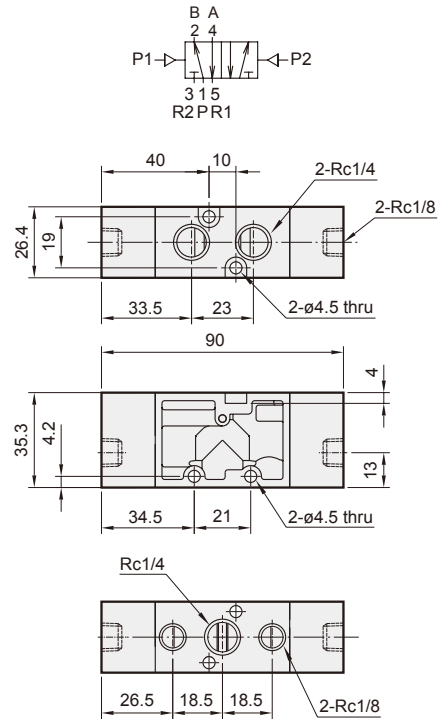
PILOT VALVE



MVAA-260-4A1



MVAA-260-4A2

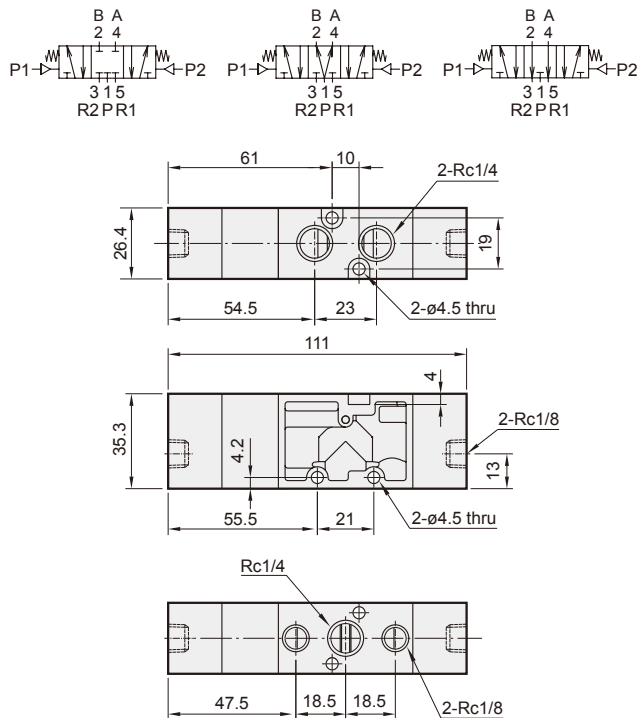


MVAA-260-4A2C.PR

MVAA-260-4A2C

MVAA-260-4A2P

MVAA-260-4A2R



MVAA-260 Manifold

PILOT VALVE

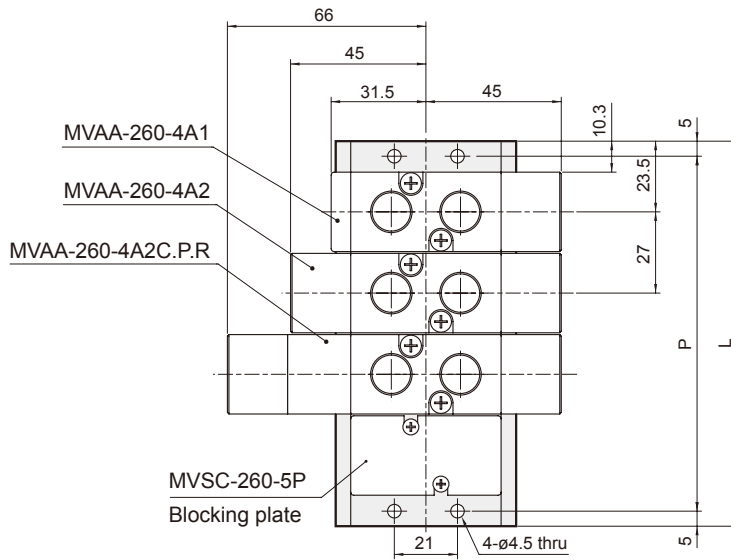


Mindman

MVSC-260-5B*

* Use the same manifold with MVSC.

5 port (for body ported type)



No. of stations	P	L
2	64	74
3	91	101
4	118	128
5	145	155
6	172	182
7	199	209
8	226	236
9	253	263
10	280	290

