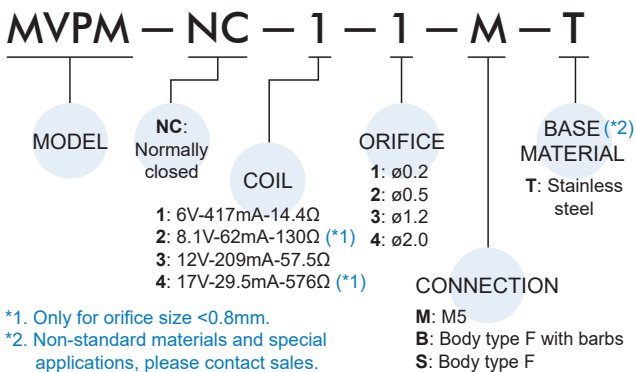


Order example

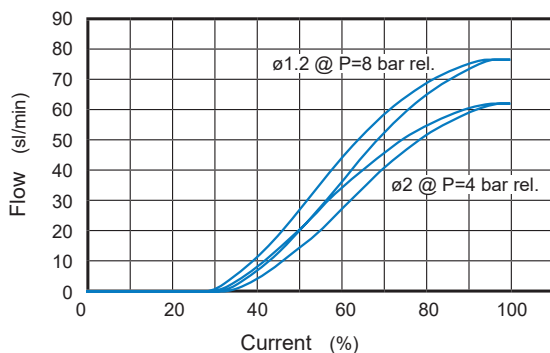
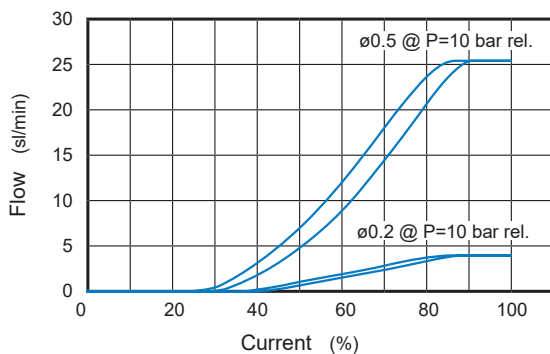


*1. Only for orifice size <0.8mm.

*2. Non-standard materials and special applications, please contact sales.

Flow rate characteristics

Don't use as reference.



Feature

- Direct acting orifice size from ø0.2 to 2 mm.
- Pressure up to 12 bar.
- Suited for dosing precisely gases in the medical and in the analytical field.

Application Industry

- Gas analysis, Chromatography,
- Biotechnology: bioreactors, instrumentation
- Semiconductor facility
- Liquid flow: mainly instrumentation, dental equipment, coffee machines, blood analyser.

Specification

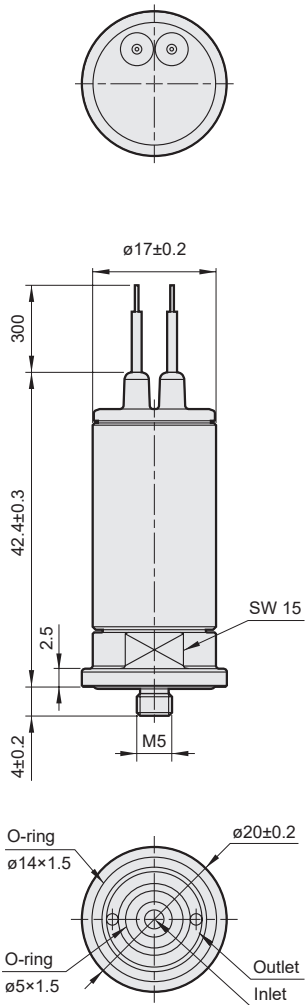
Model	MVPM			
Type of acting	Direct acting			
Nb of ways / function	2/2 NC - Proportional			
Type of pneumatical connection	M5, Body type F, Body type F with barbs			
Orifice size (mm)	ø0.2	ø0.5	ø1.2	ø2
Flow @ 20°C (sl/min)	≥ 3.8	≥ 23	≥ 70	≥ 56
Power (W)	0.5		2.5	
Materials in contact with media	Operator	Stainless steel		
	Subbase	Stainless steel		
	Seal	FPM		
Mounting orientation	Indifferent			
Media	Air, oxygen, neutral gases			
Pressure range @port 1 (bar rel.)	0~12	0~8	0~4	
Internal leakage @ 20°C (ml/min)	≤ 1 @ 0 ~ 12 bar rel.	≤ 1 @ 0 ~ 8 bar rel.	≤ 1 @ 0 ~ 4 bar rel.	
External leakage @ 20°C (ml/min)	≤ 1 @ 12 bar rel.	≤ 1 @ 8 bar rel.	≤ 1 @ 4 bar rel.	
temperature	Storage (°C)	-20~+70		
	Media (°C)	5~+50		
	Ambient (°C)	5~+50		
Protection (DIN 40050)	IP51			
Duty cycle	100% ED			
Filter of front end (µm)	5	20 recommended (not included)		
Weight (g)	60 ± 15 (depends on type of body)			

Coil specification

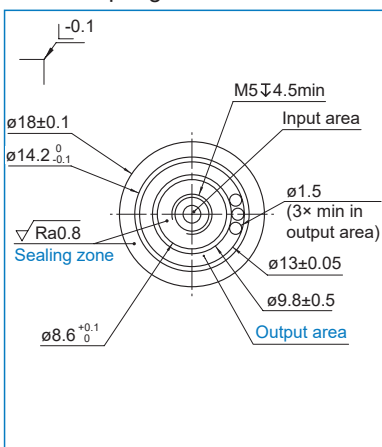
Nominal voltage @ 20°C (V)	17	12	8.1	6
Maximum voltage (V)	20.4	18	9.72	9
Nominal current ±3% (mA)	29.5	209	62	417
Nominal power @ 20°C (*) (W)	0.5	2.5	0.5	2.5
Nominal resistance ± 3% @ 20°C (Ω)	576	57.5	130	14.4
Electrical insulation (V AC)	500			
Maximum coil temperature (°C)	< 120			
Electrical connection	300mm AWG 26 Flying leads			
Recommended supply voltage (V)	24		12	

* The reduced power (0.5W) only concerns holes <0.8mm.

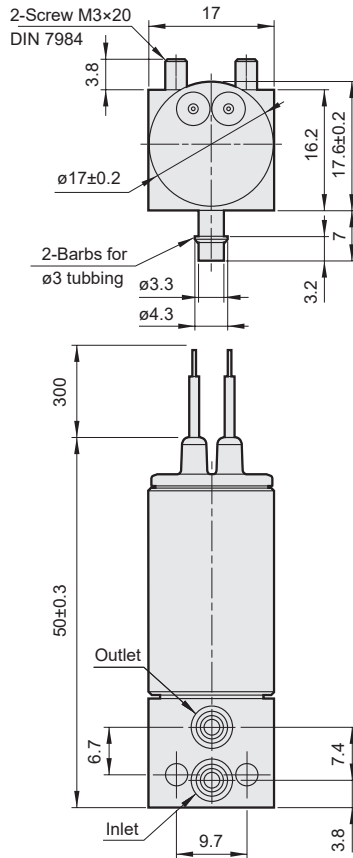
MVPM-*-M M5



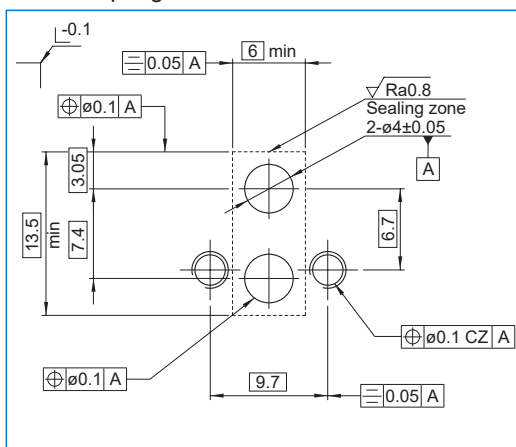
M5
Valve footpring



MVPM-*-B Body type F with barbs



Body type F with barbs
Valve footpring



MVPM-*-S Body type F

