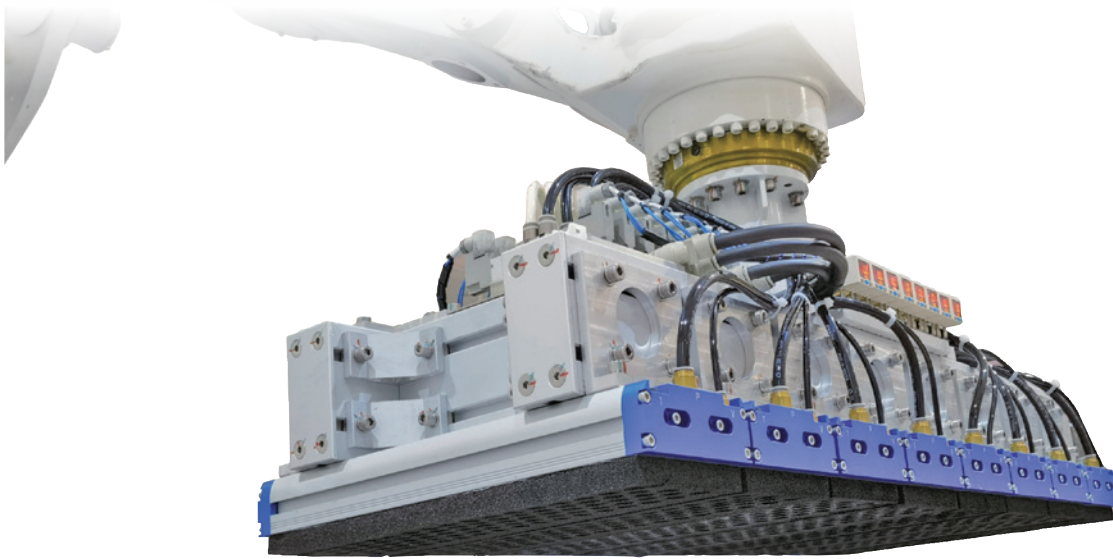


MVVGP series Feature of Vacuum Sponge Pad

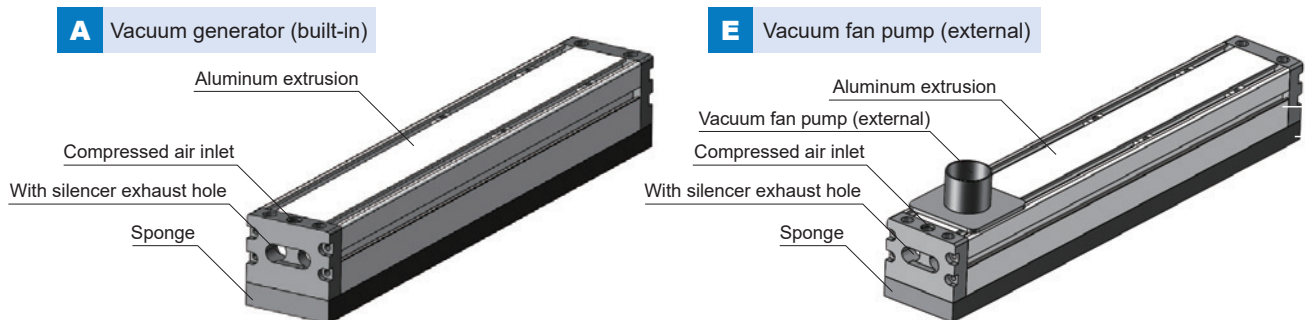
END OF ARM TOOLING (EOAT)



Features

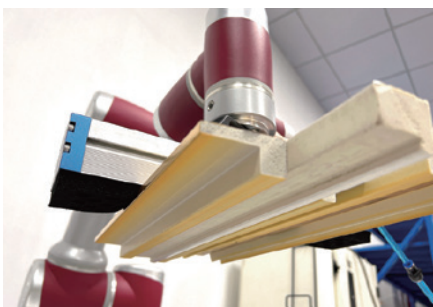
- Medium and small-scale standardized design.
- Convenient and simple maintenance.
- Made of lightweight and sturdy high-strength aluminum extrusion material.
- Built-in multi-stage vacuum generator module, external vacuum source design.
- Different shapes and arrangements to adapt to a wider range of workpiece applications.
- European-made sealing for longer lifespan.
- The sponge has adhesive on the back, allowing for quick replacement by peeling off and sticking onto the pad.

Product structure



Product advantages

- Handling rigid workpieces.
- Standard sponge is used for handling wooden boards, pallets, aluminum extrusions, and patterned steel plates.
- Different sponge types can absorb and handle different types of workpieces.



* Sponge pad for deformed wood.



* Sponge pad for glass bottles.



* Sponge pad for cardboard boxes.

Order example of Vacuum sponge pad

MVVGP 60 – 520 V – 3 F 10 – A

1
2
3
4
5
6
7
8



① Model

② Pad width

Code	60
Width (mm)	60

③ Pad length

Code	320	420	520	620	720
Length (mm)	320	420	520	620	720
Code	820	920	1020	1120	1220
Length (mm)	820	920	1020	1120	1220
Code	1320	1420	1520		
Length (mm)	1320	1420	1520		

④ Valve specifications

Code	V	L	S
Spec.	Self-closing valve	Flow control valve	High speed valve

⑤ Pad type

Code	Type	Sharp	Row	Description
1	PB01	Oval	1	Special applications, made to order
2	PB02		2	Special applications, made to order
3	PB03	Round	3	Universal standard sponge
4	PB04	Round	2	Special applications, made to order
5	PB05	Round	5	Special applications, made to order

⑥ Pad style F: Sponge

⑦ Pad thickness

Code	Blank	10	
Thickness	15mm	10mm	
Code	10F10	15F15	M
Thickness	20mm With filter	30mm With filter	Traceless (*)

* Thickness can be customized, please contact sales.

⑧ Vacuum source

Code	A	E
Source	Vacuum generator (built-in)	Vacuum fan pump (external)

PB01



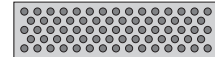
PB04



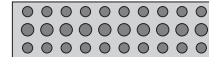
PB02



PB05



PB03



Sponge unit

MVVGP 60 – 520 PB03 10

1
2
3
4
5

① Model

② Pad width

Code	60
Width (mm)	60

③ Pad length

Code	320	420	520	620	720
Length (mm)	320	420	520	620	720
Code	820	920	1020	1120	1220
Length (mm)	820	920	1020	1120	1220
Code	1320	1420	1520		
Length (mm)	1320	1420	1520		

④ Pad type

Code	Type	Sharp	Row	Description
01	PB01	Oval	1	Special applications, made to order
02	PB02		2	Special applications, made to order
03	PB03	Round	3	Universal standard sponge
04	PB04	Round	2	Special applications, made to order
05	PB05	Round	5	Special applications, made to order

⑤ Pad thickness

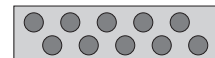
Code	Blank	10	
Thickness	15mm	10mm	
Code	10F10	15F15	M
Thickness	20mm With filter	30mm With filter	Traceless (*)

* Thickness can be customized, please contact sales.

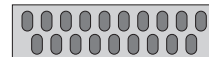
PB01



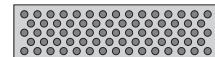
PB04



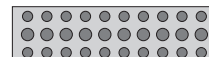
PB02



PB05



PB03



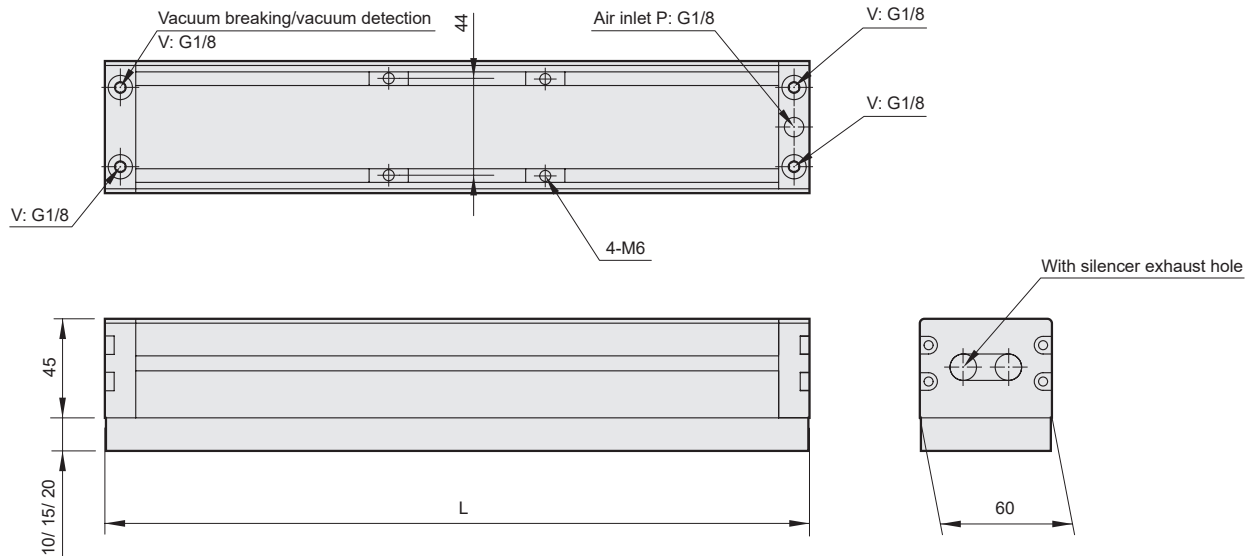
MVVG60 Dimensions

END OF ARM TOOLING (EOAT)



MVVG60-*⁻A

Vacuum generator (built-in)



Model (*1)	Replacement sponge (MVVG60 sponge unit) (*2)	L	Number of holes		Air supply pressure (Bar)	Air consumption (L/min)		Vacuum (kPa)	Vacuum flow (L/min)		Adsorption force (N)		Weight (kg)	
			PB03	PB05		PB03	PB05		PB03	PB05	PB03	PB05	PB03	PB05
MVVG60-320V-F-A	MVVG60-320PB	320	45	73	4~6	200	200	-60	700	700	243	220	1.4	1.4
MVVG60-420V-F-A	MVVG60-420PB	420	60	98		200	200		700	700	324	296	1.6	1.6
MVVG60-520V-F-A	MVVG60-520PB	520	75	123		200	200		700	700	405	371	1.8	1.8
MVVG60-620V-F-A	MVVG60-620PB	620	90	148		200	200		700	700	486	446	2.0	2.0
MVVG60-720V-F-A	MVVG60-720PB	720	105	173		200	400		700	1400	567	522	2.3	2.3
MVVG60-820V-F-A	MVVG60-820PB	820	120	198		400	400		1400	1400	648	597	2.5	2.5
MVVG60-920V-F-A	MVVG60-920PB	920	135	223		400	400		1400	1400	729	673	2.7	2.7
MVVG60-1020V-F-A	MVVG60-1020PB	1020	150	248		400	400		1400	1400	811	748	3.0	3.0
MVVG60-1120V-F-A	MVVG60-1120PB	1120	165	273		400	400		1400	1400	892	823	3.2	3.2
MVVG60-1220V-F-A	MVVG60-1220PB	1220	180	298		400	400		1400	1400	973	899	3.4	3.4
MVVG60-1320V-F-A	MVVG60-1320PB	1320	195	323		400	400		1400	1400	1054	974	3.7	3.7
MVVG60-1420V-F-A	MVVG60-1420PB	1420	210	348		400	400		1400	1400	1135	1050	3.9	3.9
MVVG60-1520V-F-A	MVVG60-1520PB	1520	225	373		400	400		1400	1400	1216	1125	4.1	4.1

*1. Model : Vacuum pad type; : Vacuum pad thickness, please refer to the order code for details.

*2. Replacement sponge : Vacuum pad type; : Vacuum pad thickness, please refer to the order code for details.

*3. The vacuum level is a reference value - for the kPa of the vacuum pad (built-in vacuum generator), please refer to the actual performance values of the vacuum source.

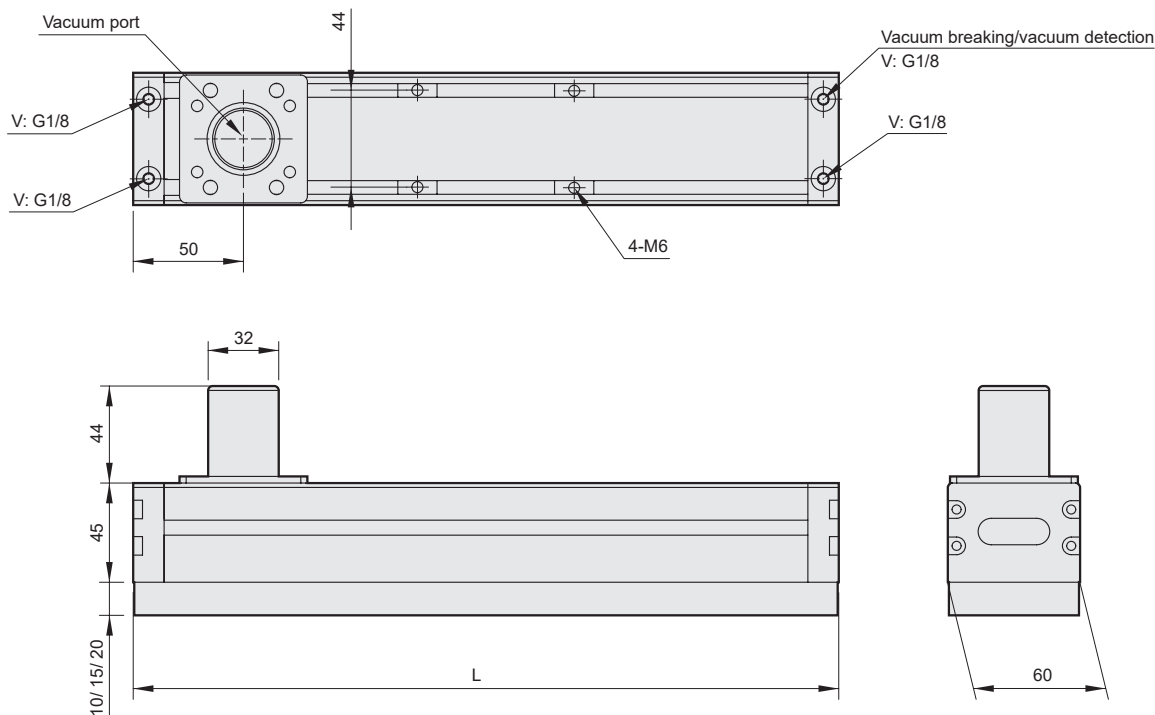
MVVG60 Dimensions

END OF ARM TOOLING (EOAT)



MVVG60-*E

Vacuum fan pump (external)



Model (*1)	Replacement sponge (MVVG60 sponge unit) (*2)	L	Number of holes		Air consumption (L/min)		Vacuum (kPa)	Adsorption force (N)		Weight (kg)	
			PB03	PB05	PB03	PB05		PB03	PB05	PB03	PB05
MVVG60-320V-F-E	MVVG60-320PB	320	45	73	150	150	-40	162	147	1.0	1.0
MVVG60-420V-F-E	MVVG60-420PB	420	60	98	300	300		216	197	1.2	1.2
MVVG60-520V-F-E	MVVG60-520PB	520	75	123	390	390		270	247	1.4	1.4
MVVG60-620V-F-E	MVVG60-620PB	620	90	148	450	450		324	298	1.7	1.7
MVVG60-720V-F-E	MVVG60-720PB	720	105	173	510	510		378	348	1.9	1.9
MVVG60-820V-F-E	MVVG60-820PB	820	120	198	510	510		432	398	2.1	2.1
MVVG60-920V-F-E	MVVG60-920PB	920	135	223	600	600		486	448	2.4	2.4
MVVG60-1020V-F-E	MVVG60-1020PB	1020	150	248	750	750		540	499	2.6	2.6
MVVG60-1120V-F-E	MVVG60-1120PB	1120	165	273	900	900		594	549	2.8	2.8
MVVG60-1220V-F-E	MVVG60-1220PB	1220	180	298	900	900		648	599	3.1	3.1
MVVG60-1320V-F-E	MVVG60-1320PB	1320	195	323	900	900		702	649	3.3	3.3
MVVG60-1420V-F-E	MVVG60-1420PB	1420	210	348	1050	1050		756	700	3.5	3.5
MVVG60-1520V-F-E	MVVG60-1520PB	1520	225	373	1250	1250		811	750	3.7	3.7

*1. Model : Vacuum pad type; : Vacuum pad thickness, please refer to the order code for details.

*2. Replacement sponge : Vacuum pad type; : Vacuum pad thickness, please refer to the order code for details.

*3. The vacuum level is a reference value - for the kPa of the vacuum pad (external vacuum source), please refer to the actual performance values of the vacuum source.

MVVGP130 series

END OF ARM TOOLING (EOAT)



Order example of Vacuum sponge pad

MVVGP 130 – 1234 V – 3 F 30 – A

1 2 3 4 5 6 7 8



① Model

② Pad width

Code	130
Width (mm)	130

③ Pad length

■ Comply with PA01/03/05

Code	262	316	352	442	550	640
Length (mm)	262	316	352	442	550	640
Code	712	838	910	1000	1234	1432
Length (mm)	712	838	910	1000	1234	1432

■ Comply with PA04

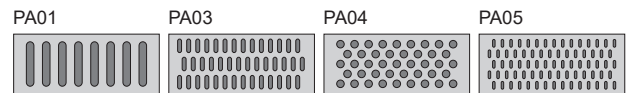
Code	295	434	572	711	849
Length (mm)	295	434	572	711	849
Code	988	1126	1265	1403	1542
Length (mm)	988	1126	1265	1403	1542

④ Valve specifications

Code	V	L	S
Spec.	Self-closing valve	Flow control valve	High speed valve

⑤ Pad type

Code	Type	Sharp	Row	Description	
1	PA01	Sponge	Oval	1	Special applications, made to order
3	PA03		Oval	3	Universal standard sponge
4	PA04		Round	5	Special applications, made to order
5	PA05		Oval	5	Special applications, made to order



⑥ Pad style F: Sponge

⑦ Pad thickness

Code	Blank	10	15	30
Thickness	20mm	10mm	15mm	30mm
Code	10F10	15F15	M	
Thickness	20mm With filter	30mm With filter	Traceless (*)	

* Thickness can be customized, please contact sales.

⑧ Vacuum source

Code	A	E
Source	Vacuum generator (built-in)	Vacuum fan pump (external)

Sponge unit

MVVGP 130 – 1234 PA03 10

1 2 3 4 5

① Model

② Pad width

Code	130
Width (mm)	130

③ Pad length

■ Comply with PA01/03/05

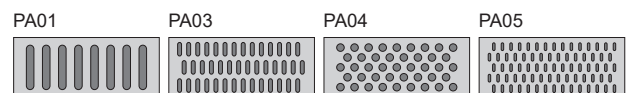
Code	262	316	352	442	550	640
Length (mm)	262	316	352	442	550	640
Code	712	838	910	1000	1234	1432
Length (mm)	712	838	910	1000	1234	1432

■ Comply with PA04

Code	295	434	572	711	849
Length (mm)	295	434	572	711	849
Code	988	1126	1265	1403	1542
Length (mm)	988	1126	1265	1403	1542

⑤ Pad type

Code	Type	Sharp	Row	Description	
01	PA01	Sponge	Oval	1	Special applications, made to order
03	PA03		Oval	3	Universal standard sponge
04	PA04		Round	5	Special applications, made to order
05	PA05		Oval	5	Special applications, made to order



⑤ Pad thickness

Code	Blank	10	15	30
Thickness	20mm	10mm	15mm	30mm
Code	10F10	15F15	M	
Thickness	20mm With filter	30mm With filter	Traceless (*)	

* Thickness can be customized, please contact sales.

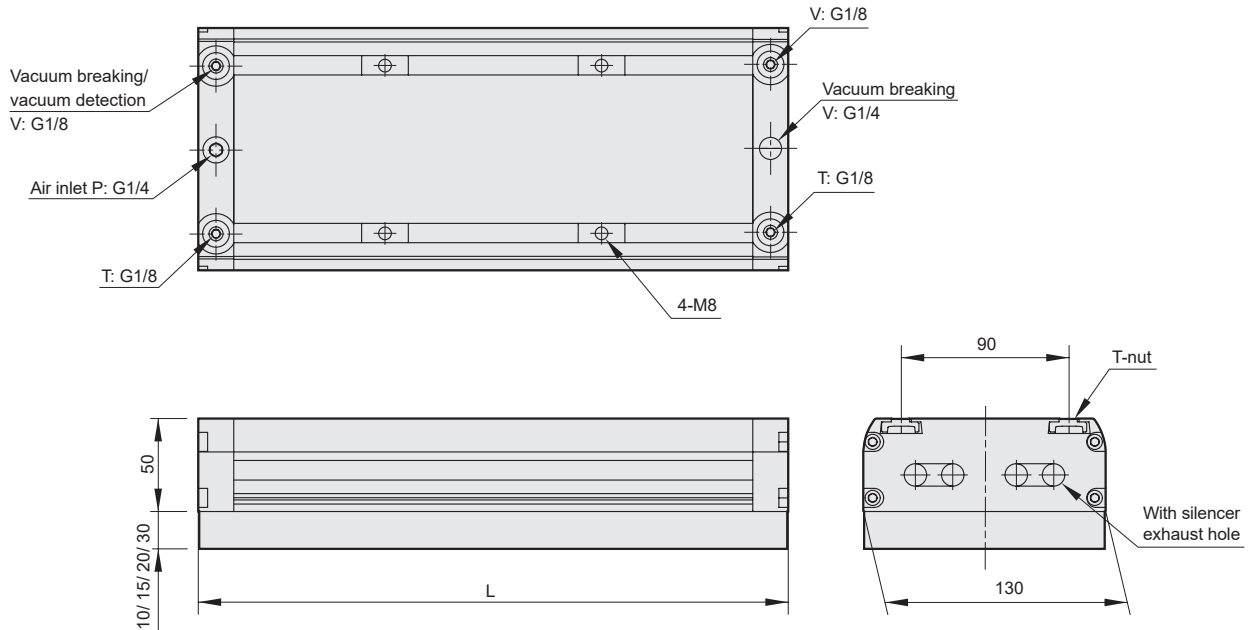
MVVG130 Dimensions

END OF ARM TOOLING (EOAT)



MVVG130-*-A

Vacuum generator (built-in)



PA03/05 Model (*1)	Replacement sponge (MVVGP sponge unit) (*2)	L	Number of holes □		Air supply pressure (Bar)	Air consumption (L/min)		Vacuum (kPa)	Vacuum flow (L/min)		Adsorption force (N)		Weight (kg)	
			PA03	PA05		PA03	PA05		PA03	PA05	PA03	PA05	PA03	PA05
MVVGP130-262V-□F□-A	MVVGP130-262PA□□	262	36	60	4-6	100	100	-60	350	350	393	287	2.5	2.5
MVVGP130-316V-□F□-A	MVVGP130-316PA□□	316	45	75		100	200		350	600	491	358	2.7	2.7
MVVGP130-352V-□F□-A	MVVGP130-352PA□□	352	51	85		100	200		350	600	557	406	2.9	2.9
MVVGP130-442V-□F□-A	MVVGP130-442PA□□	442	66	110		200	300		600	1050	721	526	3.3	3.3
MVVGP130-550V-□F□-A	MVVGP130-550PA□□	550	84	140		200	400		600	1400	917	669	3.7	3.7
MVVGP130-640V-□F□-A	MVVGP130-640PA□□	640	99	165		300	400		1050	1400	1081	788	4.1	4.1
MVVGP130-712V-□F□-A	MVVGP130-712PA□□	712	111	185		300	400		1050	1400	1212	884	4.5	4.5
MVVGP130-838V-□F□-A	MVVGP130-838PA□□	838	132	220		300	400		1050	1400	1441	1051	5.1	5.1
MVVGP130-910V-□F□-A	MVVGP130-910PA□□	910	144	245		400	600		1400	2100	1572	1171	5.4	5.4
MVVGP130-1000V-□F□-A	MVVGP130-1000PA□□	1000	159	265		400	600		1400	2450	1736	1266	5.7	5.7
MVVGP130-1234V-□F□-A	MVVGP130-1234PA□□	1234	198	330		600	600		2100	2800	2162	1577	7.3	7.3
MVVGP130-1432V-□F□-A	MVVGP130-1432PA□□	1432	231	385		600	800		2100	2800	2522	1840	8.6	8.6

PA04 Model (*1)	Replacement sponge (MVVGP sponge unit) (*2)	L	Number of holes □	Air supply pressure (Bar)	Air consumption (L/min)	Vacuum (kPa)	Vacuum flow (L/min)	Adsorption force (N)	Weight (kg)
			PA04		PA04		PA04	PA04	PA04
MVVGP130-295V-4F□-A	MVVGP130-295PA□□	295	53	4-6	100	-60	350	490	2.6
MVVGP130-434V-4F□-A	MVVGP130-434PA□□	434	83		200		600	767	3.3
MVVGP130-572V-4F□-A	MVVGP130-572PA□□	572	113		300		1050	1044	3.8
MVVGP130-711V-4F□-A	MVVGP130-711PA□□	711	143		300		1050	1321	4.5
MVVGP130-849V-4F□-A	MVVGP130-849PA□□	849	173		400		1400	1598	5.2
MVVGP130-988V-4F□-A	MVVGP130-988PA□□	988	203		400		1400	1875	5.6
MVVGP130-1126V-4F□-A	MVVGP130-1126PA□□	1126	233		600		2100	2152	7.0
MVVGP130-1265V-4F□-A	MVVGP130-1265PA□□	1265	263		600		2450	2429	7.4
MVVGP130-1403V-4F□-A	MVVGP130-1403PA□□	1403	293		600		2450	2606	8.5
MVVGP130-1542V-4F□-A	MVVGP130-1542PA□□	1542	323		800		2800	2983	9.1

*1. Model □: Vacuum pad type; □: Vacuum pad thickness, please refer to the order code for details.

*2. Replacement sponge □: Vacuum pad type; □: Vacuum pad thickness, please refer to the order code for details.

*3. The vacuum level is a reference value - for the kPa of the vacuum pad (built-in vacuum generator), please refer to the actual performance values of the vacuum source.

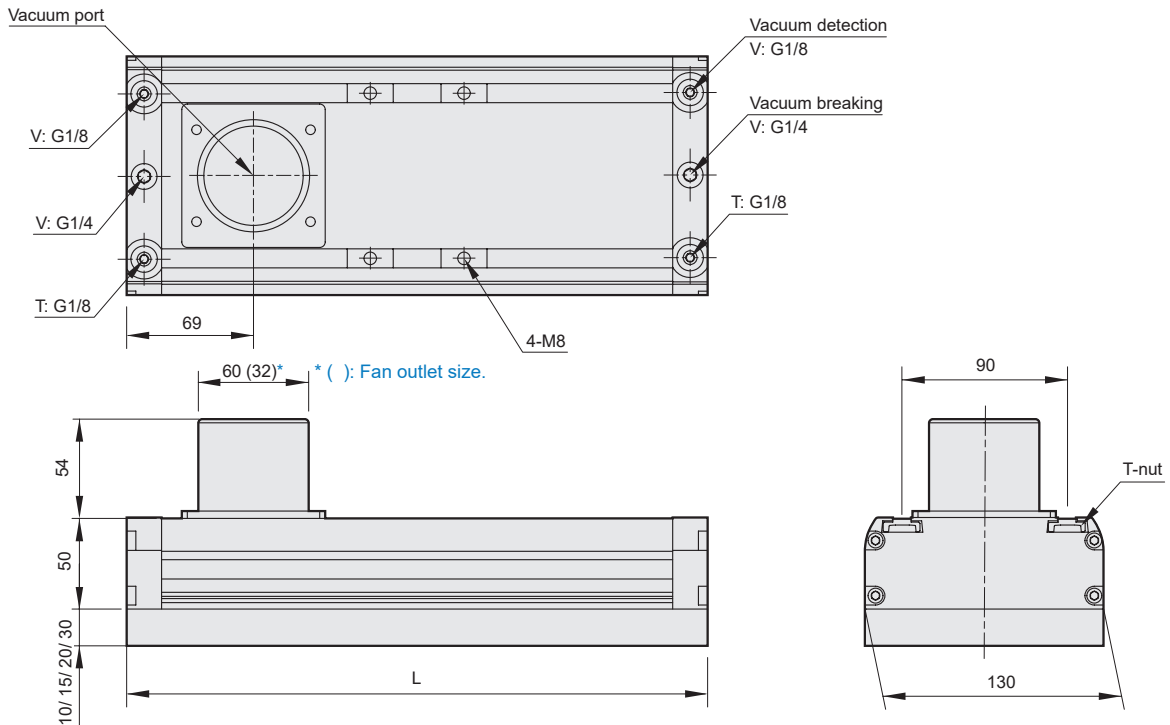
MVVGP130 Dimensions

END OF ARM TOOLING (EOAT)



MVVGP130-* -E

Vacuum fan pump (external)



PA03/05 Model (*1)	Replacement sponge (MVVGP sponge unit (*2)	L	Number of holes □		Air consumption (L/min)		Vacuum (kPa)	Adsorption force (N)		Weight (kg)	
			PA03	PA05	PA03	PA05		PA03	PA05	PA03	PA05
MVVGP130-262V-□F□-E	MVVGP130-262PA□□	262	36	60	110	110	-40	262	191	2.2	2.2
MVVGP130-316V-□F□-E	MVVGP130-316PA□□	316	45	75	150	150		328	239	2.4	2.4
MVVGP130-352V-□F□-E	MVVGP130-352PA□□	352	51	85	220	220		371	271	2.6	2.6
MVVGP130-442V-□F□-E	MVVGP130-442PA□□	442	66	110	300	300		480	350	3.0	3.0
MVVGP130-550V-□F□-E	MVVGP130-550PA□□	550	84	140	390	390		611	446	3.4	3.4
MVVGP130-640V-□F□-E	MVVGP130-640PA□□	640	99	165	450	450		721	526	3.8	3.8
MVVGP130-712V-□F□-E	MVVGP130-712PA□□	712	111	185	510	510		808	589	4.2	4.2
MVVGP130-838V-□F□-E	MVVGP130-838PA□□	838	132	220	600	600		961	701	4.8	4.8
MVVGP130-910V-□F□-E	MVVGP130-910PA□□	910	144	245	680	680		1048	780	4.9	4.9
MVVGP130-1000V-□F□-E	MVVGP130-1000PA□□	1000	159	265	750	750		1157	844	5.2	5.2
MVVGP130-1234V-□F□-E	MVVGP130-1234PA□□	1234	198	330	900	900		1441	1051	6.8	6.8
MVVGP130-1432V-□F□-E	MVVGP130-1432PA□□	1432	231	385	1050	1050		1682	1226	8.1	8.1
PA04 Model (*1)	Replacement sponge (MVVGP sponge unit (*2)	L	Number of holes □		Air consumption (L/min)			Vacuum (kPa)	Adsorption force (N)		Weight (kg)
			PA04		PA04		PA04		PA04		
MVVGP130-295V-4F□-E	MVVGP130-295PA□□	295	53		150		-40	326		2.6	
MVVGP130-434V-4F□-E	MVVGP130-434PA□□	434	83		300			511		3.3	
MVVGP130-572V-4F□-E	MVVGP130-572PA□□	572	113		400			696		3.8	
MVVGP130-711V-4F□-E	MVVGP130-711PA□□	711	143		510			881		4.5	
MVVGP130-849V-4F□-E	MVVGP130-849PA□□	849	173		600			1065		5.2	
MVVGP130-988V-4F□-E	MVVGP130-988PA□□	988	203		750			1250		5.6	
MVVGP130-1126V-4F□-E	MVVGP130-1126PA□□	1126	233		850			1435		7.0	
MVVGP130-1265V-4F□-E	MVVGP130-1265PA□□	1265	263		950			1619		7.4	
MVVGP130-1403V-4F□-E	MVVGP130-1403PA□□	1403	293		1050			1804		8.5	
MVVGP130-1542V-4F□-E	MVVGP130-1542PA□□	1542	323		1250			1989		9.1	

*1. Model □: Vacuum pad type; □: Vacuum pad thickness, please refer to the order code for details.

*2. Replacement sponge □: Vacuum pad type; □: Vacuum pad thickness, please refer to the order code for details.

*3. The vacuum level is a reference value - for the kPa of the vacuum pad (external vacuum source), please refer to the actual performance values of the vacuum source.