



Table for standard stroke

Tube I.D.	Stroke (mm)	Max. stroke (mm)
ø10,12	10,25,40,50,80,100,150,200	300
ø16		500
ø20,25	15,25,50,75,100,150,200	500

* Intermediate stroke are available, please contact us.

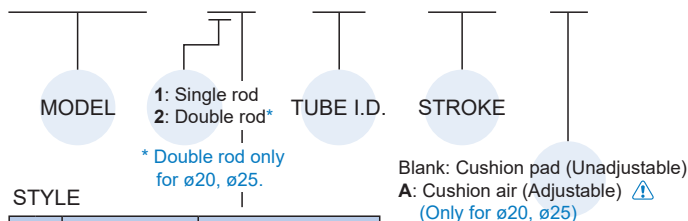
Tightening torque

Tube I.D.	Bolt	Max. tightening torque (kgf·cm)	Tube I.D.	Bolt	Max. tightening torque (kgf·cm)
ø10	M4×0.7	11.8	ø20	M8×1.25	170
ø12, 16	M6×1.0	41.0	ø25	M10×1.25	340

- Make sure the tightening torque of rod thread does not exceed the value above.
- Tightening torque tolerance ±5%.

Order example

MCMIS – 11 – 16 – 100 – A



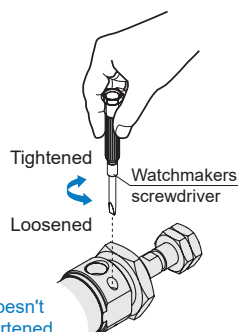
STYLE

Code	Symbol	Description
1 1		Double acting / Male thread
2 1		Double rod / Double acting / Male thread

⚠️ Caution

For (A) Cushion air (Adjustable)

- To adjust a cushion needle, please slowly turn the needle valve from the fully closed status to the required status which needs to be within 2.5 turns.
- If the needle valve loosen excessively, the buffer doesn't take effect and the lifetime of cylinder would be shortened.



Feature

■ Non lubrication

Special housing and bushing enables self lubrication of piston rod.

■ High strength steel & chemical resistance

Highly resistant with crimped covers and entirely built in stainless steel. Available with or without adjustable cushioning, double acting or through piston rod.

On request complaint with 2014/34/UE ATEX directive.

■ ISO 6432 standard

Enables world-wide inter-changeability.

■ Cylinder mountings

Available with a comprehensive range of accessories for rigid or flexible mounting.

■ Magnetic as standard

Specification

Model	MCMIS				
Tube I.D. (mm)	10	12	16	20	25
Port size	M5×0.8			G1/8	
Medium	Air				
Max. operating pressure	1.0 MPa				
Min. operating pressure	0.1 MPa		0.08 MPa		
Proof pressure	1 MPa				
Lubricator	Not required				
Ambient temperature	-35~+80°C (No freezing)				
Available speed range	50~500 mm/sec				
Sensor switch	RCM (Refer to page 8-16)				
Sensor switch (band)	BM10	BM12	BM16	BM20	BM25

* For precautions, please refer to page 3-2.

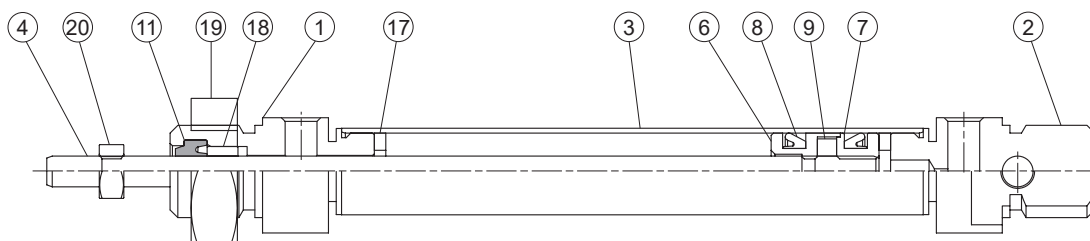
Order example of mounting accessories

Code	Accessories		
	LB (LB×2, with cover nut ×1)	NUT	
Mounting Tube I.D.		Rod nut	Cover nut
ø10	LB-M6-8x2	NUT-S-M4×0.7×3.2H×7B	NUT-S-M12x1.25x7Hx19B
ø12	LB-M6-12x2	NUT-S-M6×1.0×4H×10B	NUT-S-M16x1.5x8Hx24B
ø16	LB-M6-20x2	NUT-S-M8×1.25×5H×13B	NUT-S-M22x1.5x8Hx27B
ø20		NUT-S-M10×1.25×6H×17B	
ø25			

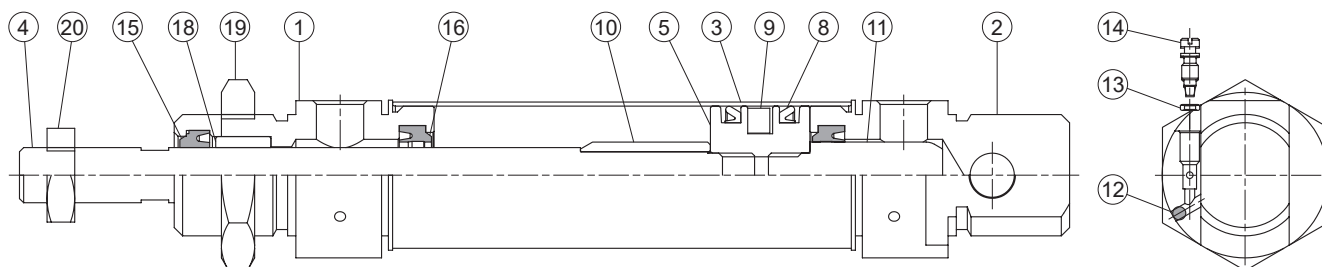
Code	Accessories			Connector
	FA	FB	SDB (with pin×1 + snap ring×2)	YP (Y+pin)
Mounting Tube I.D.				
ø10	FA-M6-8		SDB-M6-8	-
ø12	FA-M6-12		SDB-M6-12	YP-M6-12
ø16				
ø20	FA-M6-20		SDB-M6-20	YP-M6-20
ø25				YP-M6-25

* Material: Stainless steel

Cushion pad Unadjustable



Cushion air Adjustable



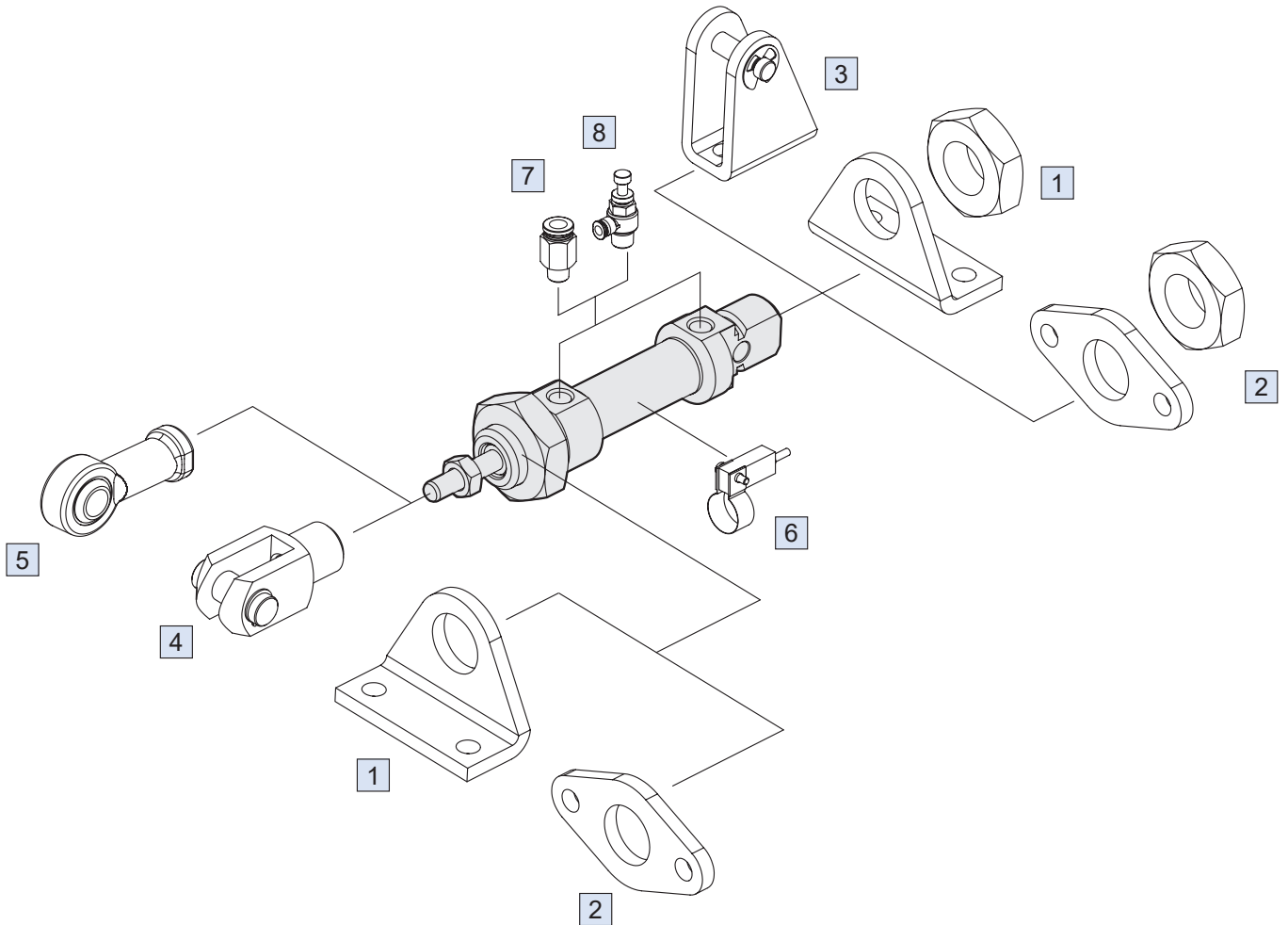
Material

No.	Cushion		Part name	Material	Qty	Component parts (inclusion)	
	Pad	Air				Pad	Air
1	●	●	Head cover	SUS304	1	●	●
2	●	●	Rear cover	SUS304	1	●	●
3	●	●	Cylinder	SUS304	1		
4	●	●	Piston rod	SUS316	1		
5		●	Piston	Brass	1		●
6	●		Piston-H	Brass	1	●	
7	●		Piston-R	Brass	1	●	
8	●	●	Piston packing	PU	2	●	●
9	●	●	Magnet ring	Magnet	1	●	●
10		●	#1 Shock absorber axis	Aluminum alloy	1		●
11		●	#2 Shock absorber axis	Aluminum alloy	1		●
12		●	Steel ball	Stainless steel	2		●
13		●	Needle valve packing	NBR	2		●
14		●	Needle valve	Stainless steel	2		●
15	●	●	Rod packing	PU	1	●	●
16		●	Cushion ring	NBR	2		●
17	●		Cushion pad	NBR	2	●	
18	●	●	Bushing	Copper alloy	1	●	●
19	●	●	Nut	SUS304	1	●	●
20	●	●	Nut	SUS304	1	●	●

Order example of Component parts

Tube I.D.	Cushion pad
ø10	CP-MCMIS-10
ø12	CP-MCMIS-12
ø16	CP-MCMIS-16
ø20	CP-MCMIS-20
ø25	CP-MCMIS-25

Tube I.D.	Cushion air
ø20	CP-MCMIS-20A
ø25	CP-MCMIS-25A

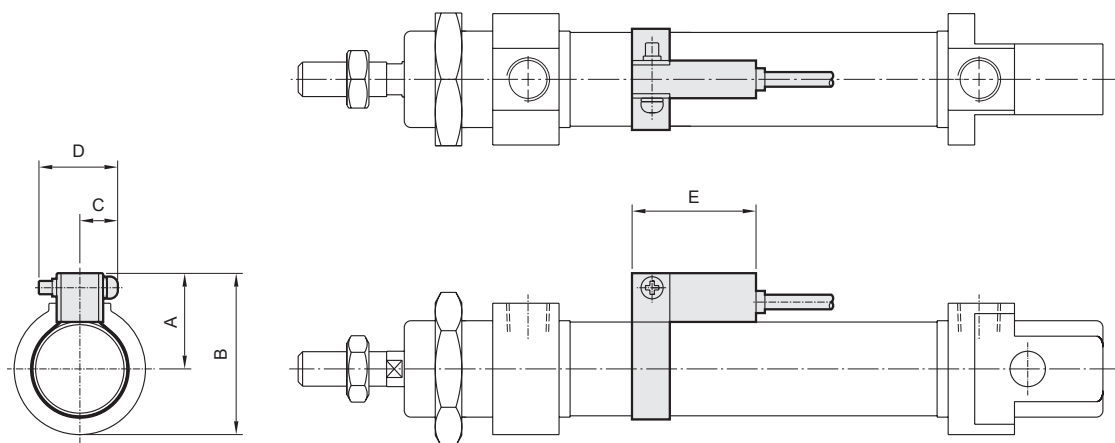


No.	Accessories	Material	Page
1	Mounting accessories LB	Stainless steel	3-57
2	Mounting accessories FA/FB	Stainless steel	3-57
3	Mounting accessories SDB+PIN	Stainless steel	3-58
4	Accessories Y+PIN	Stainless steel	3-58
5	Female rod ends PHS-S	Stainless steel	8-7
6	Sensor switch RCM+BM**	–	8-16
7	Fitting PC (PISCO)	–	8-3 (Vol.1)
8	Fitting JSC (PISCO)	–	8-15 (Vol.1)

■ Installation of sensor switch

Sensor switch: RCM

Sensor switch band: BM**



Code Tube I.D.	A	B	C	D	E
10	17	24.5	10	16	28
12	18	28	10	16	28
16	20	30	10	16	28
20	22	35.5	10	16	28
25	25	38.5	10	16	28

■ Cylinder weight

Unit: g

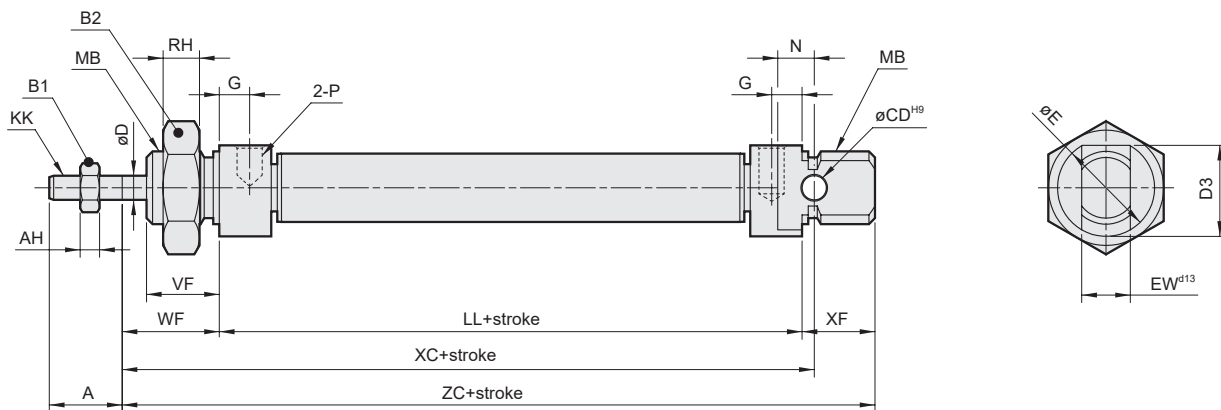
Model	Basic weight MCMIS-11	Stroke 25 mm MCMIS-11	Basic weight MCMIS-11-A	Stroke 25 mm MCMIS-11-A	Basic weight MCMIS-21	Stroke 25 mm MCMIS-21	Basic weight MCMIS-21-A	Stroke 25 mm MCMIS-21-A
Tube I.D.								
ø10	68	6	—	—	80	12	—	—
ø12	119	10	—	—	135	19	—	—
ø16	147	12	—	—	167	23	—	—
ø20	307	20	298	20	335	38	326	38
ø25	409	27	398	27	447	52	436	52

Accessories weight

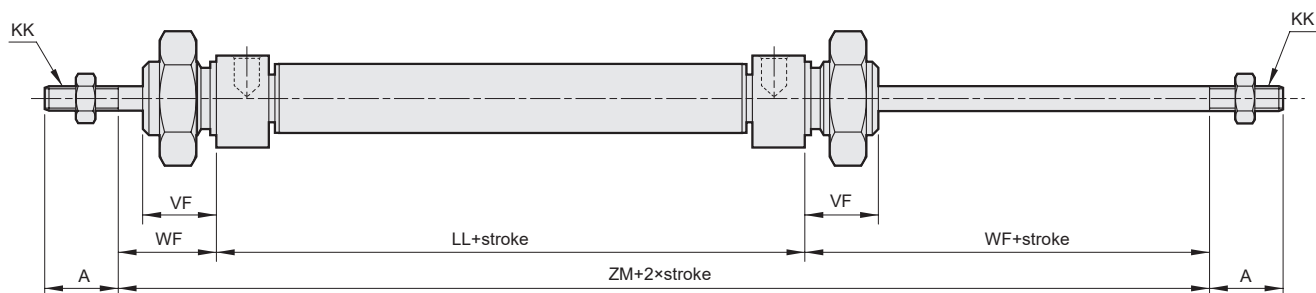
Unit: g

Model	LB	FA/FB	SDB	YP	Rod nut	Cover nut
Tube I.D.						
ø10	23	11	24	7	2	10
ø12	44	26	41	20	3	19
ø16	44	26	41	20	3	19
ø20	96	53	86	58	5	24
ø25	96	53	86	106	10	24

11

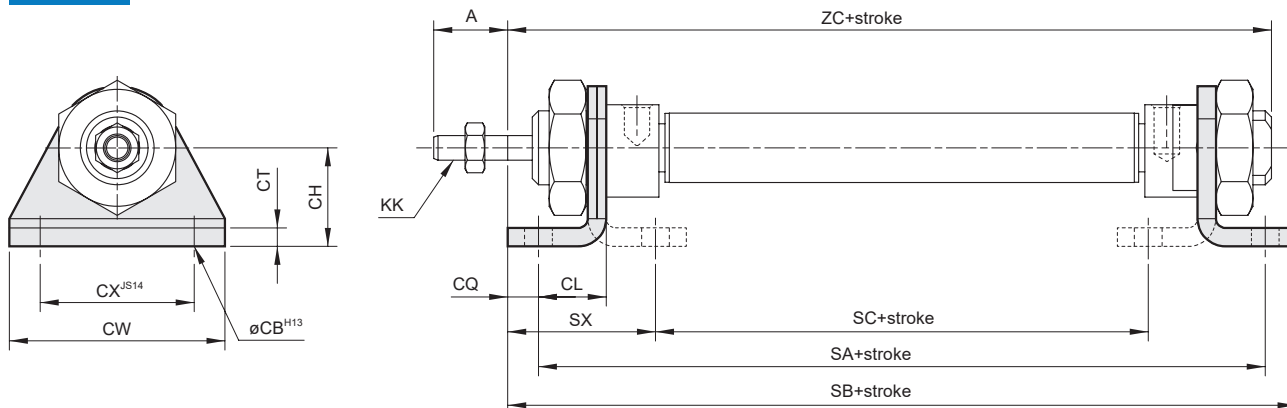


21



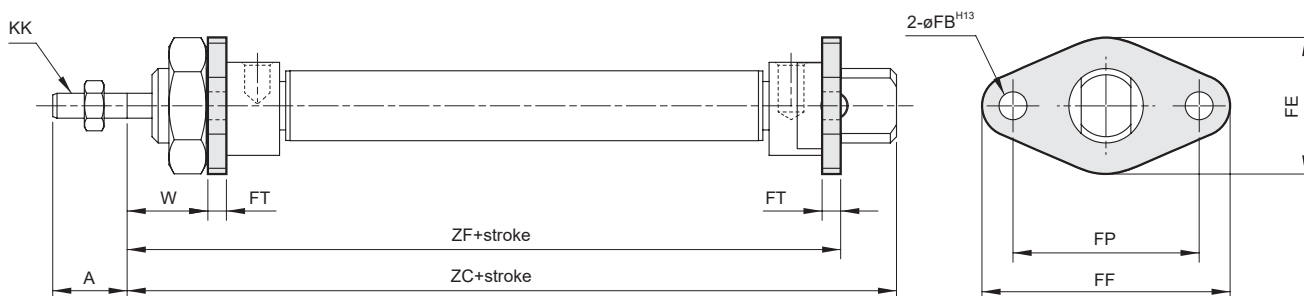
Code Tube I.D.	A	AH	B1	B2	CD	D	D3	E	EW	G	KK	LL	MB	N	ND	P	RH	VF	WF	XC	XF	ZC	ZM
10	12	3.2	7	16	4	4	15	16	8	5	M4×0.7	46	M12×1.25	6	12	M5×0.8	6	12	16	64	12	74	—
12	16	4	10	22	6	6	18	19	12	5	M6×1.0	48	M16×1.5	9	16	M5×0.8	6	17	22	75	18	88	—
16	16	4	10	22	6	6	18	19	12	4.5	M6×1.0	53	M16×1.5	9	16	M5×0.8	6	18	22	82	18	93	—
20	20	5	13	27	8	8	25.5	27	16	8	M8×1.25	67	M22×1.5	12	22	G1/8	6	20	24	95	20	111	115
25	22	6	17	27	8	10	28.5	30	16	8	M10×1.25	68	M22×1.5	12	22	G1/8	6	22	28	104	22	118	124

LB



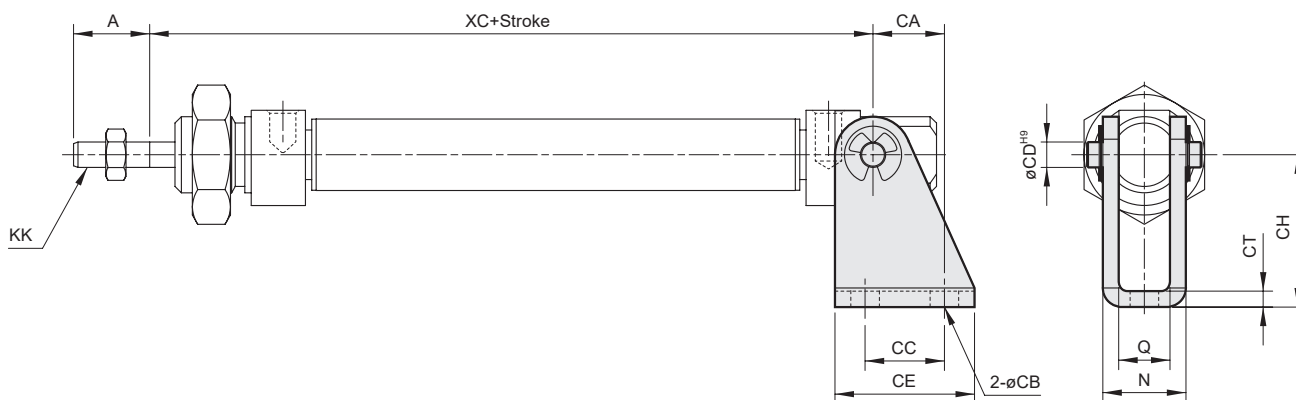
Code Tube I.D.	A	CB	CH	CL	CQ	CT	CW	CX	KK	SA	SB	SC	SX	ZC
10	12	4.5	16	11	5	3	35	25	M4×0.7	68	78	30	24	74
12	16	5.5	20	14	6	4	42	32	M6×1.0	76	90	28	32	88
16	16	5.5	20	14	6	4	42	32	M6×1.0	81	95	33	32	93
20	20	6.6	25	17	8	5	54	40	M8×1.25	101	116	43	36	111
25	22	6.6	25	17	8	5	54	40	M10×1.25	102	121	44	40	118

FA / FB



Code Tube I.D.	A	FB	FE	FF	FP	FT	KK	W	ZC	ZF
10	12	4.5	22	40	30	3	M4×0.7	13	74	65
12	16	5.5	30	52	40	4	M6×1.0	18	88	74
16	16	5.5	30	52	40	4	M6×1.0	18	93	79
20	20	6.6	40	66	50	5	M8×1.25	19	111	96
25	22	6.6	40	66	50	5	M10×1.25	23	118	101

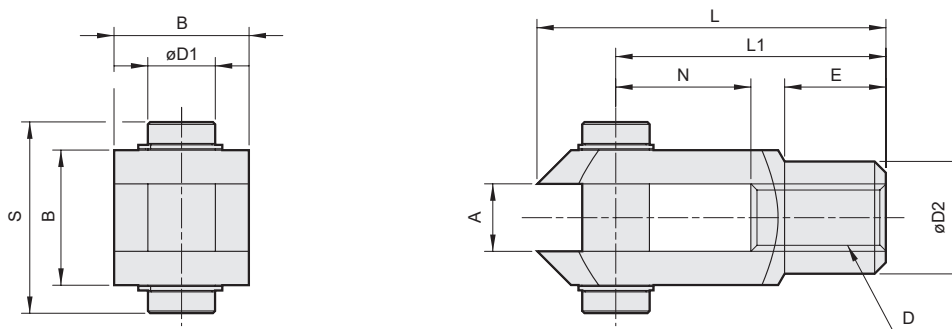
SDB



Code Tube I.D.	A	CA	CB	CC	CD	CE	CH	CT	KK	N	Q	XC
10	12	11.25	4.5	12.5	4	22	24	2.5	M4×0.7	13.1	8.1	64
12	16	13	5.5	15	6	25	27	3	M6×1.0	18.1	12.1	75
16	16	13	5.5	15	6	25	27	3	M6×1.0	18.1	12.1	82
20	20	16	6.6	20	8	32	30	4	M8×1.25	24.1	16.1	95
25	22	16	6.6	20	8	32	30	4	M10×1.25	24.1	16.1	104

YP

Y+Pin



Code Tube I.D.	A	B	D	D1	D2	E	L	L1	N	S
12, 16	6	12	M6×1.0	6	10	9	31	24	12	17
20	8	16	M8×1.25	8	14	12	42	32	16	21
25	10	20	M10×1.25	10	18	15	52	40	20	25