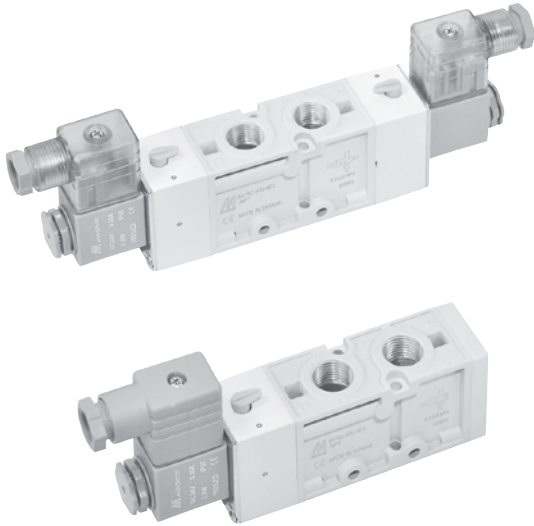


# MVSC-300 series

## SOLENOID VALVE



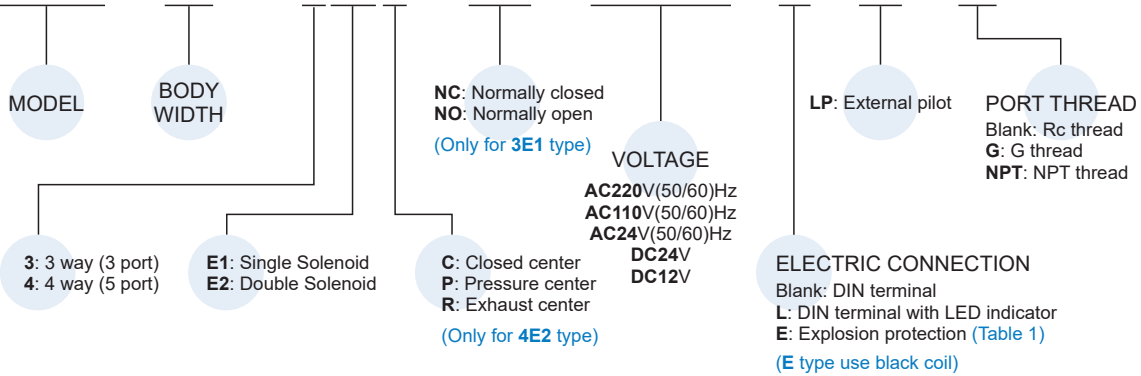
### Specification

| Model                     | 3E1   | 3E2                | 4E1   | 4E2                | 4E2 C.P.R |
|---------------------------|---|--------------------|-------|--------------------|-----------|
| Bore No.                  | 10A   |                    |       |                    |           |
| Port size                 | 3/8   |                    |       |                    |           |
| No. of port               | 3   |                    | 5     |                    |           |
| No. of position           | 2   |                    |       | 3                  |           |
| Medium                    | Air   |                    |       |                    |           |
| Operating pressure range  | 0.2~0.8 MPa                                   |                    |       | 0.3~0.8 MPa        |           |
| Operating pressure (LP)   | 0~0.8 MPa                                     |                    |       |                    |           |
| Pilot pressure range (LP) | (0.34×P*+0.1)~0.5 MPa                         |                    |       |                    |           |
| Proof pressure            | 1 MPa   |                    |       |                    |           |
| Effective orifice         | 30 mm <sup>2</sup>                            | 35 mm <sup>2</sup> |       | 25 mm <sup>2</sup> |           |
| Response time             | 50ms  |                    |       |                    |           |
| Ambient temperature       | -5~+50°C (No freezing)                        |                    |       |                    |           |
| Voltage                   | AC110V, 220V, 24V (50/60)Hz, DC24V, 12V       |                    |       |                    |           |
| Power consumption         | AC=4.8/4.4VA, 6/4.9VA, 6.7/5.4VA, DC=2W, 2.5W |                    |       |                    |           |
| Available voltage range   | ±10%  |                    |       |                    |           |
| Insulation class          | F class                                       |                    |       |                    |           |
| Weight                    | 325 g   | 453 g              | 320 g | 444 g              | 505 g     |

\* P: Operating pressure

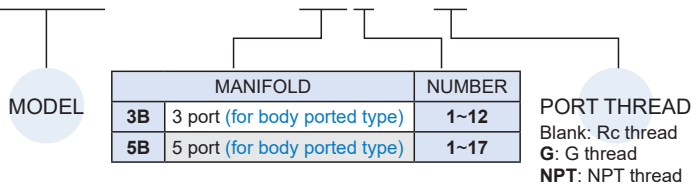
### Order example of valve

**MVSC – 300 – 4E2C – NC – AC110 – L – LP – G**



### Order example of manifold

**MVSC – 300 – 3B3 – G**



\* Starting from 11 stations, manifolds are made to order.

Table 1

### Property for explosion-proof type

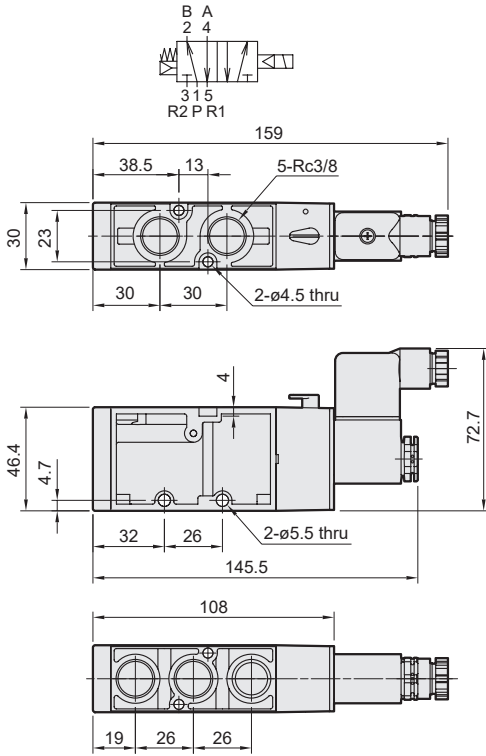
|                         |                                 |
|-------------------------|---------------------------------|
| Anti-explosion class    | EEx m II T4                     |
| Voltage                 | AC110V, 220V, (50/60)Hz, DC24V. |
| Power consumption       | AC=4.4VA DC=5W                  |
| Available voltage range | ±10%                            |
| Insulation class        | F class                         |
| Wire length             | 3 m                             |

# MVSC-300 Dimensions

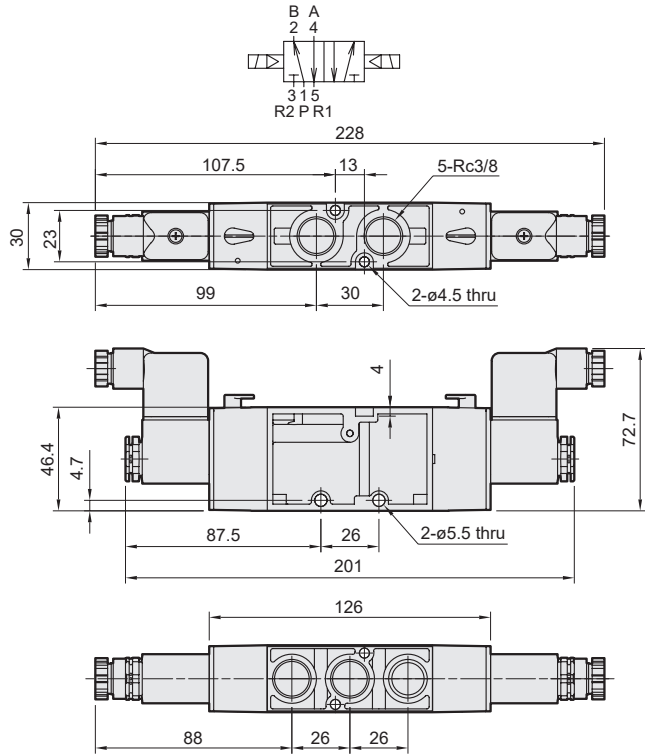
## SOLENOID VALVE



### MVSC-300-4E1



### MVSC-300-4E2

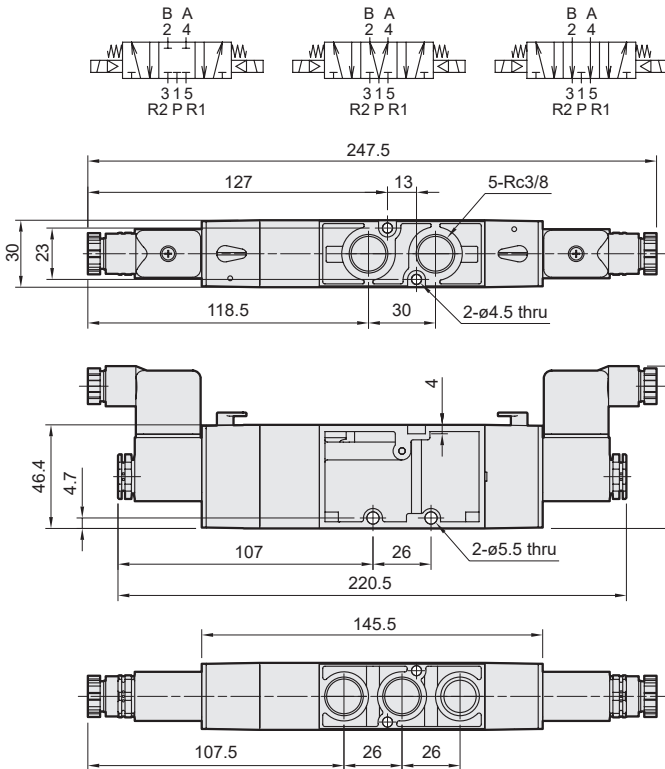


### MVSC-300-4E2C.P.R

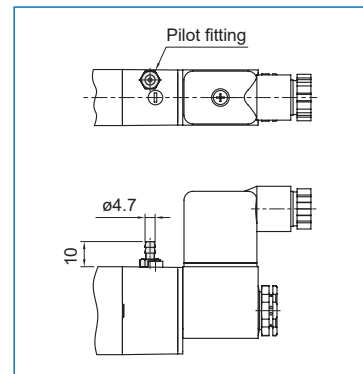
#### MVSC-300-4E2C

#### MVSC-300-4E2P

#### MVSC-300-4E2R

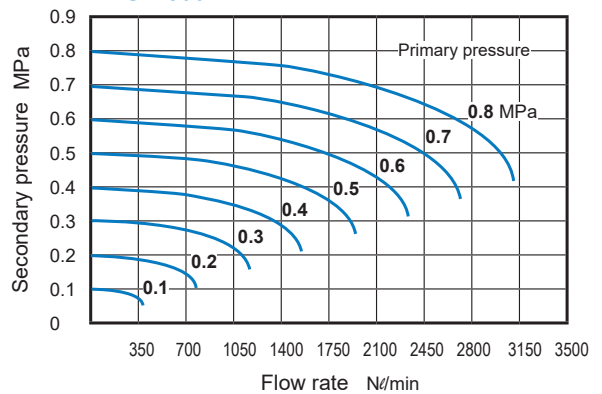


### LP



### Flow features

#### MVSC-300-4E1/4E2

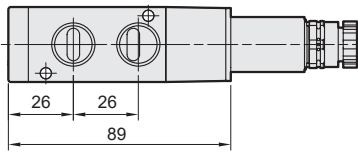
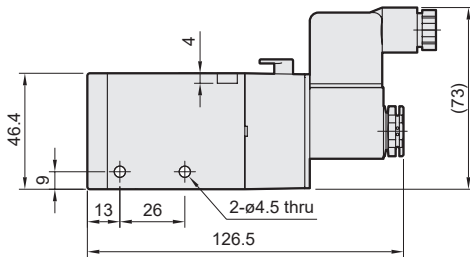
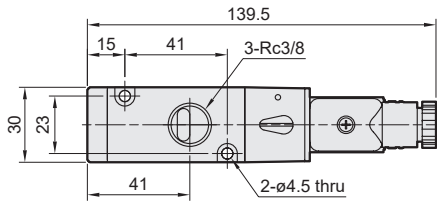
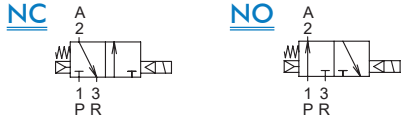


# MVSC-300 Dimensions

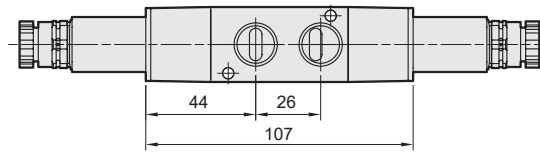
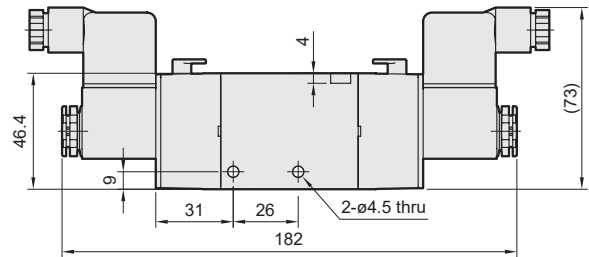
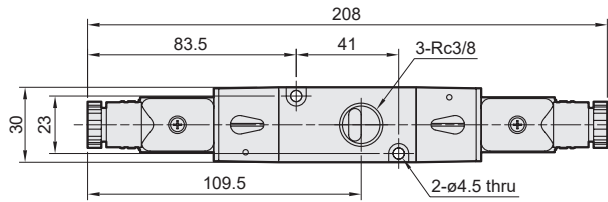
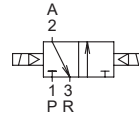
## SOLENOID VALVE



### MVSC-300-3E1-NC/NO



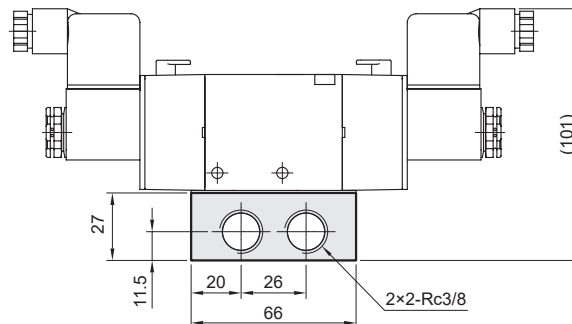
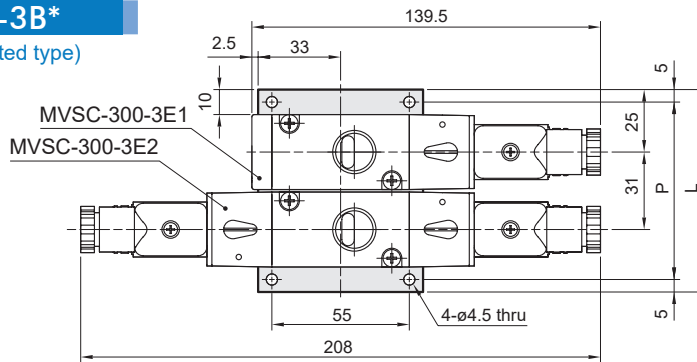
### MVSC-300-3E2



## Manifold of solenoid valve

### MVSC-300-3B\*

3 port (for body ported type)



| No. of stations | P   | L   |
|-----------------|-----|-----|
| 1               | 40  | 50  |
| 2               | 71  | 81  |
| 3               | 102 | 112 |
| 4               | 133 | 143 |
| 5               | 164 | 174 |
| 6               | 195 | 205 |
| 7               | 226 | 236 |
| 8               | 257 | 267 |
| 9               | 288 | 298 |
| 10              | 319 | 329 |

P: (No. of stations-1)×31+40  
L: (No. of stations-1)×31+50

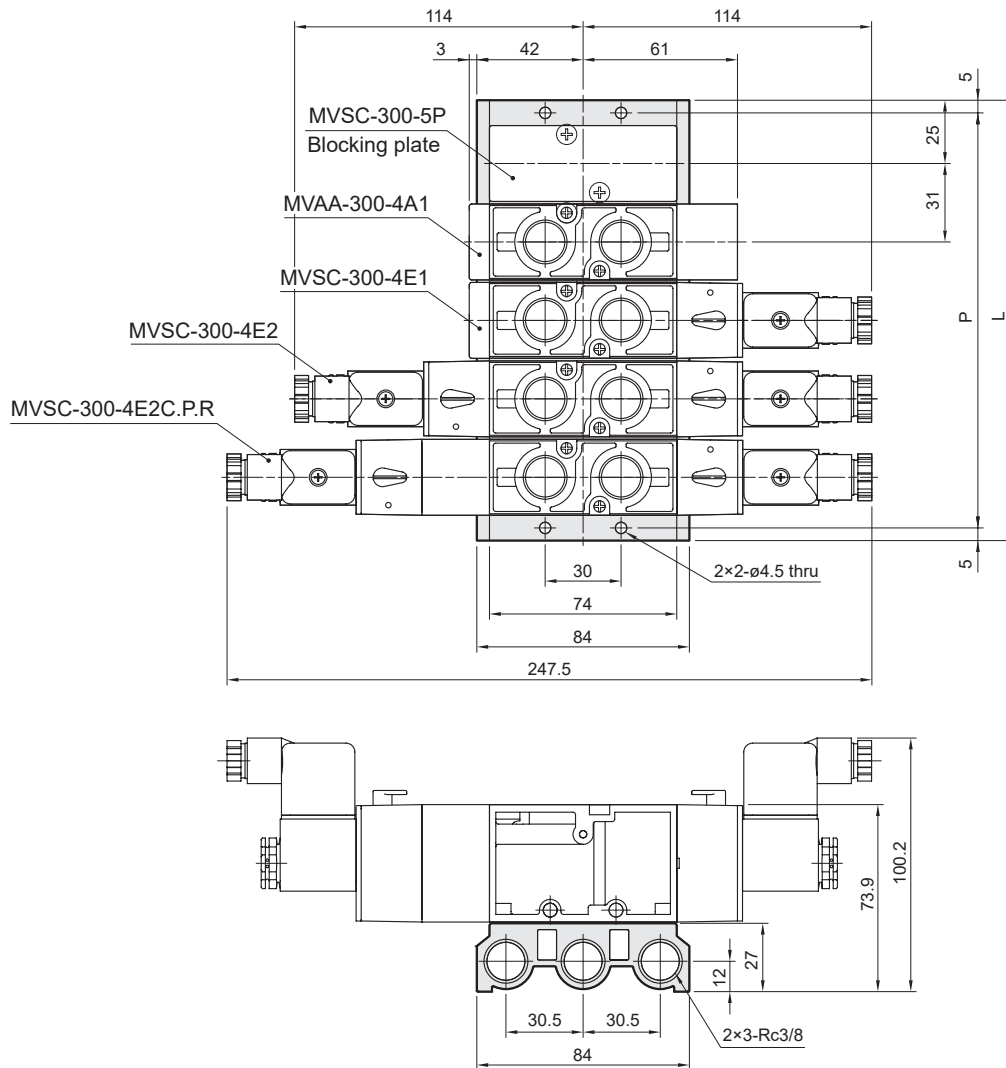
# MVSC-300 Manifold

SOLENOID VALVE



## MVSC-300-5B\*

5 port (for body ported type)



| No. of stations | P   | L   |
|-----------------|-----|-----|
| 1               | 40  | 50  |
| 2               | 71  | 81  |
| 3               | 102 | 112 |
| 4               | 133 | 143 |
| 5               | 164 | 174 |
| 6               | 195 | 205 |
| 7               | 226 | 236 |
| 8               | 257 | 267 |
| 9               | 288 | 298 |
| 10              | 319 | 329 |

P: (No. of stations-1)×31+40  
 L: (No. of stations-1)×31+50