

Specification

Model		MESF2		
Size		16	20	
Positioning repeatability (mm)		±0.02		
Lead (mm)		2	2	8
Maximum speed *1	Motor SM/ BM (mm/s)	≤50	≤100	≤400
	Motor OBM (mm/s)	≤50		≤200
Work load *2	Horizontal (kg)	3	6	1.5
	Vertical (kg)	0.8	1.8	0.8
Pushing force *1,3,4	(N)	18 ~ 60	64 ~ 195	18 ~ 48
Stroke (mm)		30 / 50 / 75	30 / 50 / 75 / 100	
Motor size (mm)		□20	□25	
Rated voltage		DC 24V±10%		
Sensor switch		RDFE(V) (Please refer to page 5-11)		

- Motor type Step motor Transmission Ball screw
- Environment Standard Guide type Cross roller guide

*1. The speed and force may change depending on the cable length, load, stroke and mounting conditions.
 *2. The maximum load capacity decreases as the speed increases.
 *3. The accuracy of pushing force is ± 20%.
 *4. Pushing force for MESF2 is from 30% to 90%.

Order example

MESF2 – 16 L02 – 30 – CK10 03 N 015

Model

Size	Ball screw lead
16	L02 2 mm
20	L02 2 mm
	L08 8 mm

Stroke

30	30 mm
50	50 mm
75	75 mm
100*	100 mm

* Only for size 20

I/O type

N	NPN
---	-----

* Not suitable for CM10.

I/O cable length

015	1.5 m
03	3 m

* Standard: 1.5 m
* Not suitable for CM10.

Power + Encoder cable of motor

01	1 m *2
015	1.5 m *3
03	3 m
05	5 m

* Standard: 3 m

Controller Motor

CK10 *4	SM
CM10 *1	OBM
CM20 *1	BM

*1. Sensors would be needed.
 *2. Only for CM10 / CM20.
 *3. Only for CK10.
 *4. Only for size 16.

Accessory kits

AK – ES2 – 30

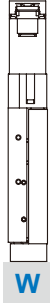
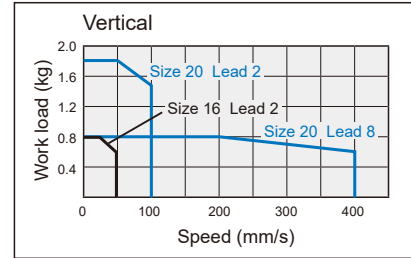
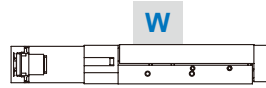
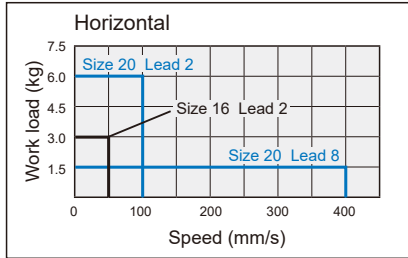
Accessory kits

Stroke

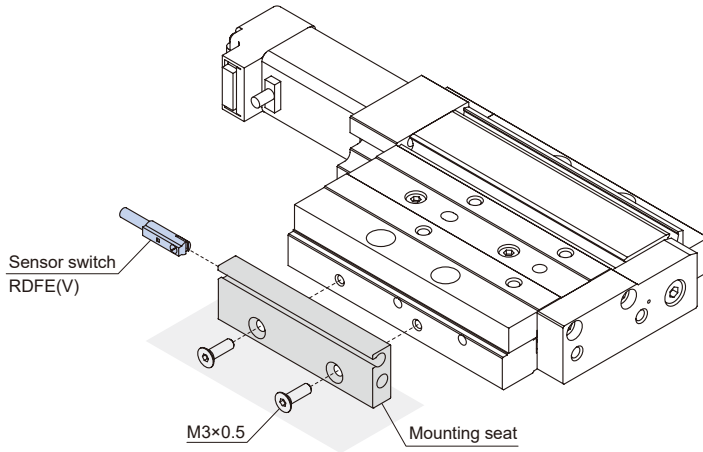
30	30 mm
50	50 mm
75	75 mm
100	100 mm*1

*1. Only for size 20.
 *2. With mounting seat and bolt.

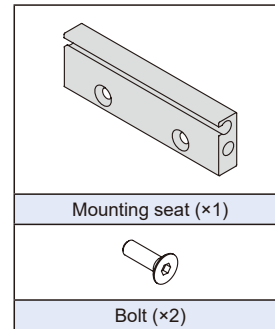
Speed-load curve diagram

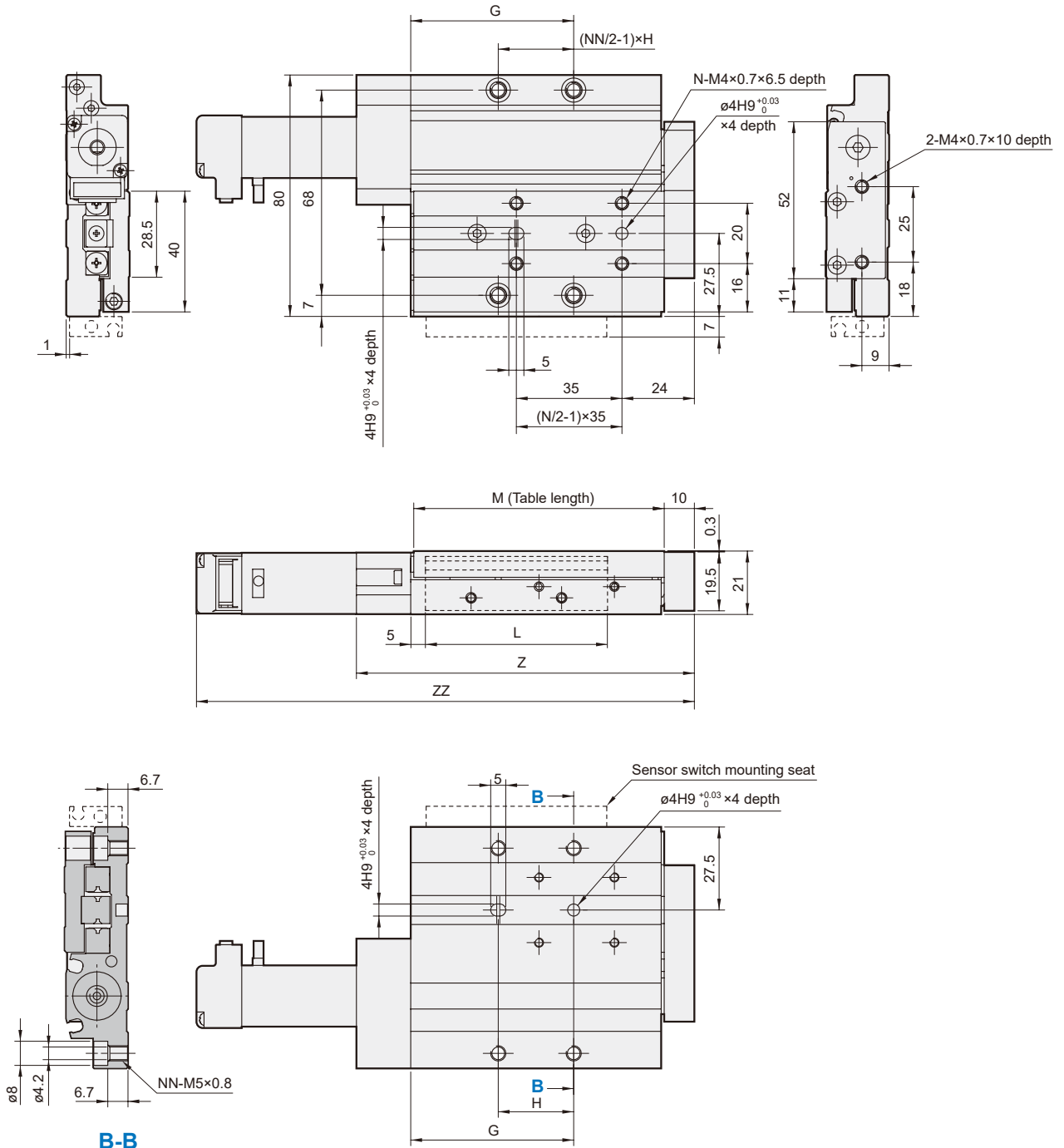


Sensor switch mounting

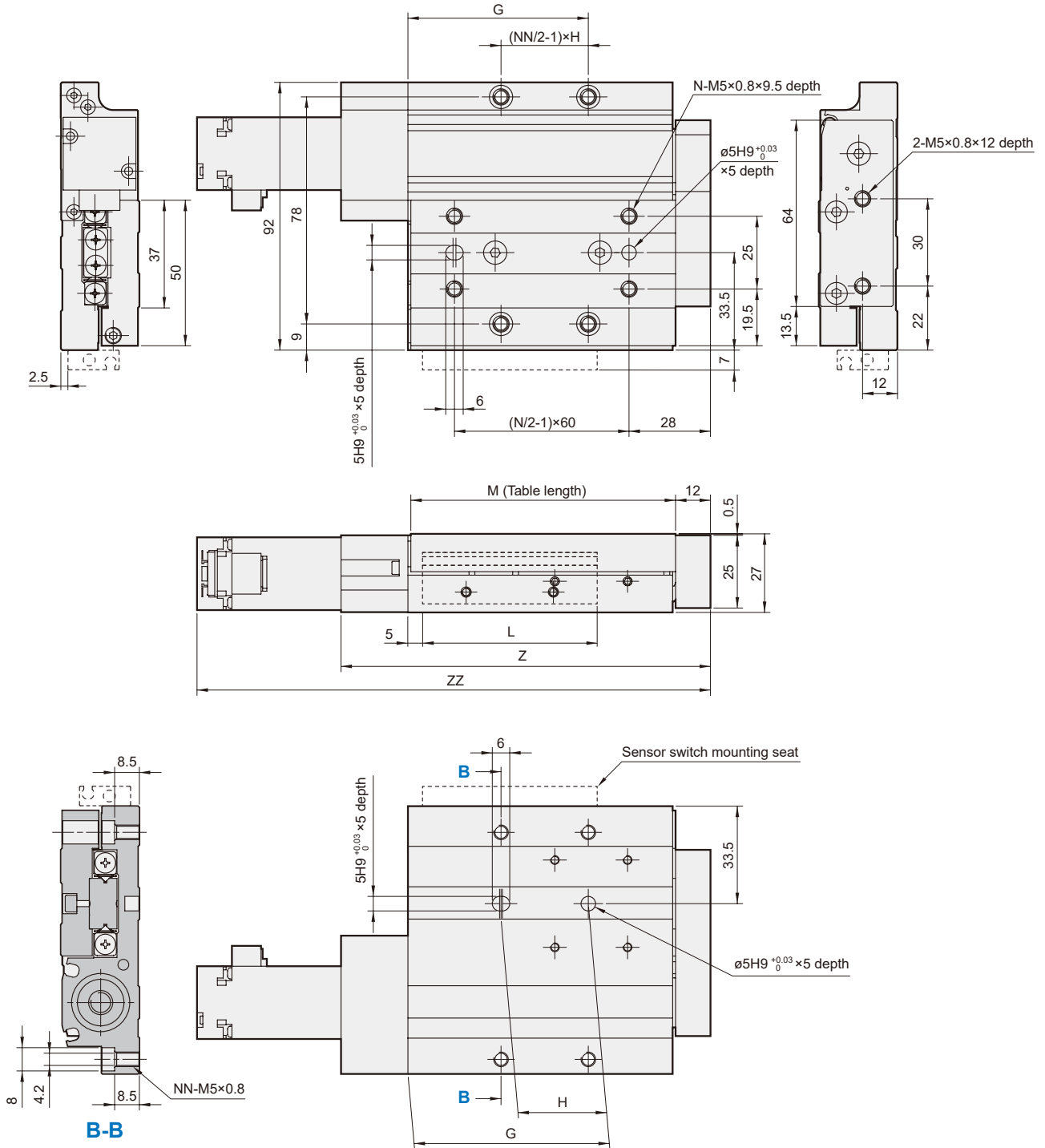


Accessory kits





Stroke	N	NN	G	H	L	M	Z	ZZ			Weight (g)
								CK10	CM10	CM20	
30	4	4	54	25	60	83	112	165	158	168	516
50	6	4	84	55	90	113	142	195	188	198	691
75	6	6	120	45	135	159	188	241	234	244	910



Stroke	N	NN	G	H	L	M	Z	ZZ			Weight (g)
								CK10	CM10	CM20	
30	4	4	62	30	60	91	127	-	166.5	176.5	933
50	4	4	77	45	90	113	149	-	188.5	198.5	1139
75	6	6	122	45	135	162	198	-	237.5	247.5	1397
100	6	6	152	60	160	211	247	-	286.5	296.5	1654