

# MCJQ2 series

## COMPACT CYLINDER



### Features

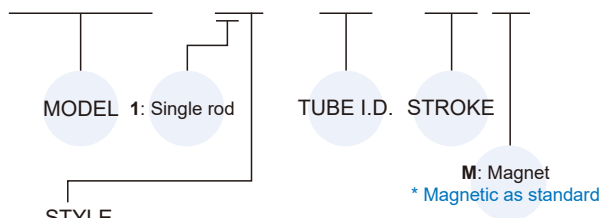
- Ultra Compact, light weight and space saving cylinder.
- Single and double acting available.
- Ideal for use in machinery where space is limited and incorporating sensor groove which enables flush fitting of sensors.
- Magnetic as standard.

### Specification

Model	MCJQ2	
Acting type	Double acting	
Tube I.D. (mm)	12,16	20,25
Port size	M5×0.8	
Medium	Air	
Operating pressure range	0.07~1 MPa	0.05~1 MPa
Proof pressure	1.5 MPa	
Ambient temperature	-5°C~+60°C (No freezing)	
Available speed range	50~500 mm/sec	
Sensor switch	RCB (Please refer to page 8-10)	

### Order example

MCJQ2 – 12 – 20 – 25 M

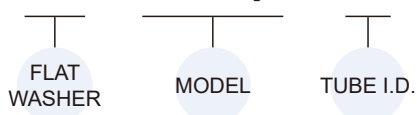


STYLE

Code	Symbol	Description
1 1		Double acting / Male thread
1 2		Double acting / Female thread

### Flat washer kits

WS – MCJQ2 – 20



### Double acting – Table for standard stroke

Tube I.D.	Standard stroke
ø12, 16	5,10,15,20,25,30
ø20, 25	5,10,15,20,25,30,35,40,45,50

\* Please contact us if the stroke is out of specification.

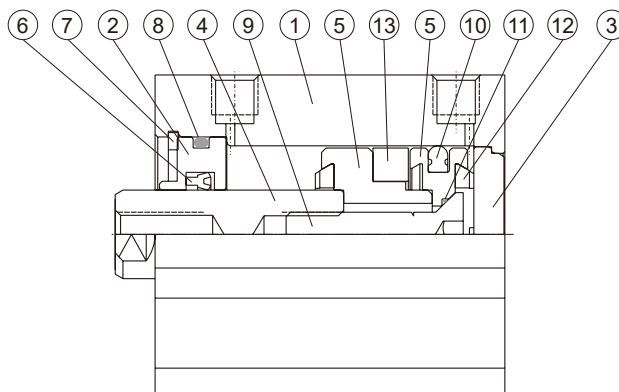
### Cylinder weight

Unit: g

Model	Basic weight MCJQ2-11	Stroke 5mm MCJQ2-11	Basic weight MCJQ2-12	Stroke 5mm MCJQ2-12
Tube I.D.				
ø12	40	7	39	7
ø16	63	9	60	9
ø20	86	11	80	11
ø25	126	14	113	14

### Double acting

(with magnet)



### Material

No.	Part name	Material	Note	Q'y	Repair kits (inclusion)
1	Body	Aluminum alloy	Hard anodized	1	
2	Rod cover	Aluminum bearing alloy	Anodized	1	
3	End cover	Aluminum alloy	Anodized	1	
4	Piston rod	Stainless steel		1	
5	Piston	Aluminum alloy	Anodized	1	
6	Rod packing	NBR		1	●
7	Snap ring	Stainless steel		1	
8	Cover ring	NBR		1	●
9	Piston bolt	Stainless steel		1	
10	Piston packing	NBR		1	●
11	Piston gasket	NBR		1	●
12	Cushion packing	NBR		2	●
13	Magnet	Magnet		1	

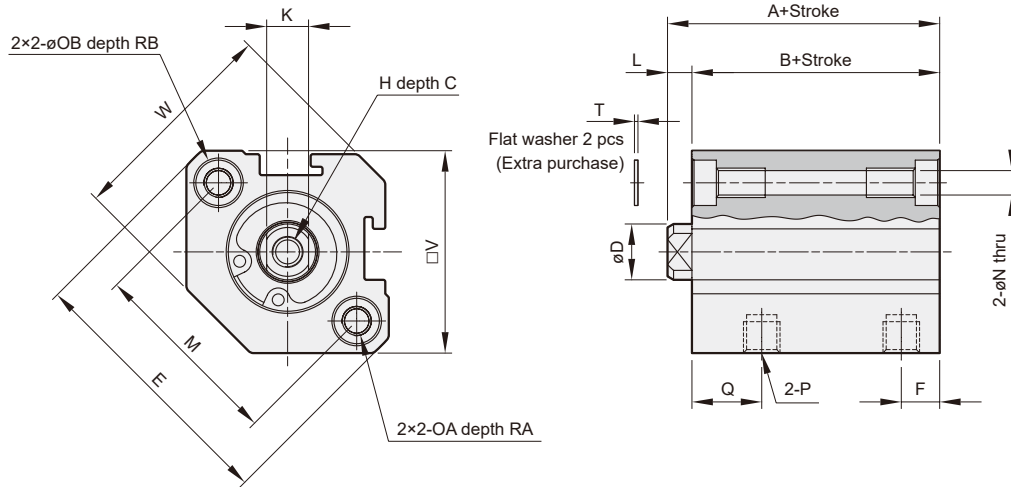
### Order example Repair kits

Tube I.D.	Repair kits
ø12	<b>PS-MCJQ2-12</b>
ø16	<b>PS-MCJQ2-16</b>
ø20	<b>PS-MCJQ2-20</b>
ø25	<b>PS-MCJQ2-25</b>

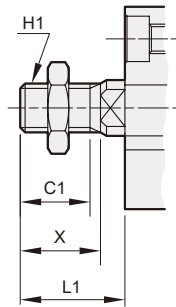
### Seal kit

	Rod packing	Piston packing	Cover ring	Piston gasket
Acting type	Double acting			
Tube I.D. / Q'y	1	1	2	1
ø12	KSYR-6	OPA-12	S-11	d4×w1
ø16	KSYR-8	OPA-16	S-14	d4×w1
ø20	KSYR-10A	OPA-20	S-18	d6×w1
ø25	KSYR-12	OPA-25	S-22.4	d8×w1

**12**



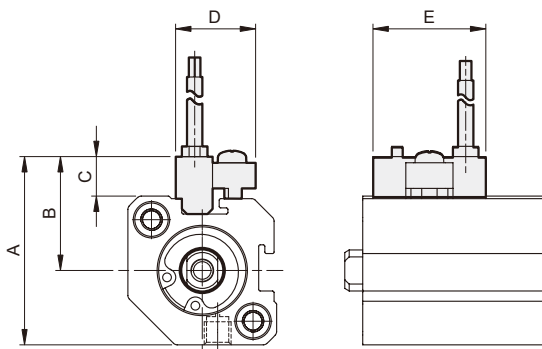
**11 Male thread**



Code Tube I.D.	C1	H1	L1	X
12	9	M5×0.8	14	10.5
16	10	M6×1.0	15.5	12
20	12	M8×1.25	18.5	14
25	15	M10×1.25	22.5	17.5

Code Tube I.D.	Stroke range	A	B	C	D	E	F	H	K	L	M	N	OA	RA	OB	RB	T	P	Q	V	W
12	5~30	31.5	28	6	6	32	6.5	M3×0.5	5	3.5	22	3.5	M4×0.7	7	6.5	3.5	0.5	M5×0.8	11	25	28
16	5~30	34	30.5	8	8	38	5.5	M4×0.7	6	3.5	28	3.5	M4×0.7	7	6.5	3.5	0.5	M5×0.8	10	29	31
20	5~50	36	31.5	10	10	47	5.5	M5×0.8	8	4.5	36	5.5	M6×1.0	10	9	7	1	M5×0.8	10.5	36	30
25	5~50	37.5	32.5	12	12	52	5.5	M6×1.0	10	5	40	5.5	M6×1.0	10	9	7	1	M5×0.8	11	40	35

### Installation of sensor switch



### Order example

RCB — □

MODEL

RCB (C: Reed switch)  
RNB (N: Solid state switch)

WIRE LENGTH

Blank: L=2000m  
1M: L=1000m  
QD: M8 3Pin connector  
EQD: M8 3Pin connector

Code Tube I.D.	A	B	C	D	E
12	33	20.5	8	16	22
16	37	22.5	8	16	22
20	42.5	24	5.5	16	22
25	46	26	6	16	22