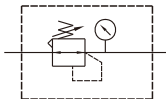


MAHR200 series

PRESSURE REGULATOR



Symbol



Order example

MAHR200 – 8A – □ – □

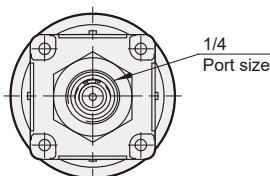
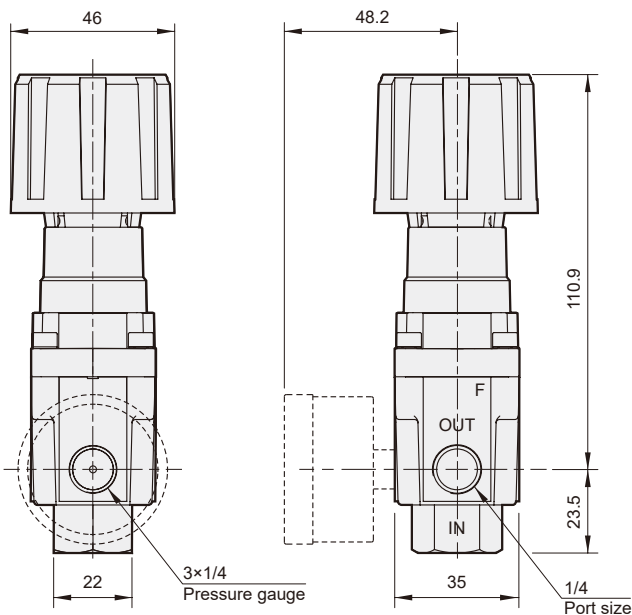
MODEL

PORT SIZE
8A: 1/4

Blank: Standard type (Gray cap)
H: High type pressure (Red cap)

PORT THREAD

Blank: Rc thread
G: G thread
NPT: NPT thread



Feature

High pressure type can regulate up to 2.7 MPa.

Specification

Model	MAHR200
Bore No.	8A
Port size	1/4
Medium	Air
Max. operating pressure	3.5 MPa
Proof pressure	5 MPa
Regulated pressure range	Standard: 0~1 MPa
	High pressure: 0~2.7 MPa
Ambient temperature	0~+60°C (No freezing)
Attachment	Standard type pressure gauge: PG-40W-8A High pressure type pressure gauge: PG-40W-8A-30k
Weight	250 g

* Product has no Pressed-in and self-locking mechanism.

Flow feature

