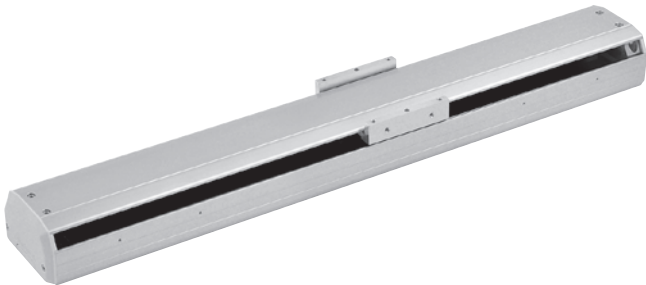


METS2-10 series

SLIDER ELECTRIC CYLINDER (WITHOUT MOTOR)



Environment	Standard	Servo motor	50/100/200/400W
Actuation type	Ball screw	Guide type	Linear guide

Feature

- Modular product can save your time of designing and assembly, and greatly increase your development efficiency.
- High stiffness body made with integrated aluminum extrusion.
- It provides several position for motor installment.
- It is available for customized service.

Specification

Model	METS2-10		
Positioning repeatability (mm)	±0.01		
Lead (mm)	5	10	20
Max. speed (mm/s)	250	500	1000
Stroke (mm)	100~1000		
Ball screw O.D. (mm)	C7 ø16		
Coupling diameter (mm)	ø10		
Slot-type photomicro sensor	RLT (Please refer to page 5-16)		

AC servo motor (W)	100 (50)			
Max. payload	Horizontal (kg)	50	30	18
	Vertical (kg)	12	8	3
Rated thrust (N)	341 (170)	170 (85)	85 (42)	

AC servo motor (W)	400 (200)			
Max. payload	Horizontal (kg)	50	30	18
	Vertical (kg)	12	8	3
Rated thrust (N)	1366 (683)	682 (341)	348 (174)	

*1. Reduce the speed when the stroke exceeds 750 mm due to resonance.
 *2. Acceleration and deceleration value are set to 0.2 second.

Order example

METS2-10 - L05 - 100 - BC - M10 B

Model	Size	Stroke	Motor position	Flange (For motor installation)	Brakes																																				
	Ball screw lead	100~1000 mm	<table border="1"> <tr><td>M</td><td>Built-in (*1)</td></tr> <tr><td>BC</td><td>Direct connection</td></tr> <tr><td>BM</td><td>Lower side</td></tr> <tr><td>BR</td><td>Right side</td></tr> <tr><td>BL</td><td>Left side</td></tr> </table>	M	Built-in (*1)	BC	Direct connection	BM	Lower side	BR	Right side	BL	Left side	<table border="1"> <tr> <th rowspan="2">Applicable motor brand (*2)</th> <th colspan="2">Dimensions</th> </tr> <tr> <td></td> <td></td> </tr> <tr> <td rowspan="3">M</td> <td>Mitsubishi</td> <td>10</td> <td>50/100W servo</td> </tr> <tr> <td>Yaskawa</td> <td rowspan="2">40</td> <td>200/400W</td> </tr> <tr> <td>Delta</td> <td></td> </tr> <tr> <td rowspan="3">P</td> <td rowspan="3">Panasonic</td> <td>10</td> <td>50/100W</td> </tr> <tr> <td>20</td> <td>200W</td> </tr> <tr> <td>40</td> <td>400W</td> </tr> </table>	Applicable motor brand (*2)	Dimensions				M	Mitsubishi	10	50/100W servo	Yaskawa	40	200/400W	Delta		P	Panasonic	10	50/100W	20	200W	40	400W	<table border="1"> <tr> <td>-</td> <td>No brake</td> </tr> <tr> <td>B</td> <td>With brake</td> </tr> </table>	-	No brake	B	With brake
M	Built-in (*1)																																								
BC	Direct connection																																								
BM	Lower side																																								
BR	Right side																																								
BL	Left side																																								
Applicable motor brand (*2)	Dimensions																																								
M	Mitsubishi	10	50/100W servo																																						
	Yaskawa	40	200/400W																																						
	Delta																																								
P	Panasonic	10	50/100W																																						
		20	200W																																						
		40	400W																																						
-	No brake																																								
B	With brake																																								

*1. Not applicable for 200/400W servo.
 *2. Motor not included. Please refer to the "Motor Selection Table" on page 4-122 for details.
 *3. Determination is required only when "Built-in" type is chosen.

Slot-type photomicro sensor set

RZ - ET1 - 10 - N

Sensor set	Size	Sensor type				
		<table border="1"> <tr><td>N</td><td>NPN</td></tr> <tr><td>P</td><td>PNP</td></tr> </table>	N	NPN	P	PNP
N	NPN					
P	PNP					

* With RLT sensor, bolt, nut and cable 2m.

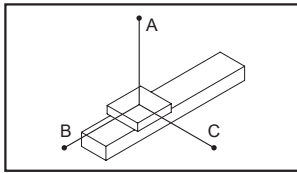
Accessory kits

AK - ET1 - 10 - 1

Accessory kits	Size	Mounting seat quantity				
		<table border="1"> <tr><td>1</td><td>1 pc</td></tr> <tr><td>2</td><td>2 pcs</td></tr> </table>	1	1 pc	2	2 pcs
1	1 pc					
2	2 pcs					

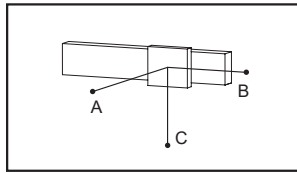
* With light baffle, mounting seat, and bolt.

Allowable overhang



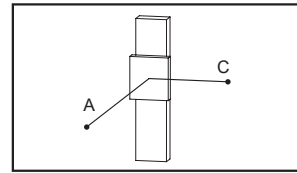
Unit: mm

Horizontal installation	A	B	C
AC servo motor 100W / 200W			
Lead 5	30kg	547	42
	40kg	391	29
	50kg	298	22
Lead 10	15kg	521	84
	25kg	298	47
	30kg	242	37
Lead 20	5kg	675	224
	10kg	330	107
	18Kg	175	55



Unit: mm

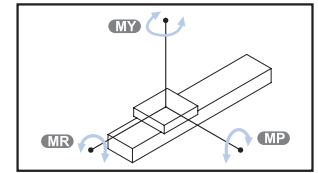
Wall installation	A	B	C
AC servo motor 100W / 200W			
Lead 5	25kg	52	53
	35kg	35	35
	50kg	21	22
Lead 10	10kg	124	131
	20kg	58	61
	30kg	35	37
Lead 20	6kg	160	185
	12kg	76	88
	18Kg	48	55



Unit: mm

Vertical installation	A	C
AC servo motor 100W / 200W		
Lead 5	5kg	310
	8kg	192
	12kg	129
Lead 10	4kg	344
	8kg	172
	-	-
Lead 20	2kg	546
	3kg	364
	-	-

Static loading moment



Unit: N.m

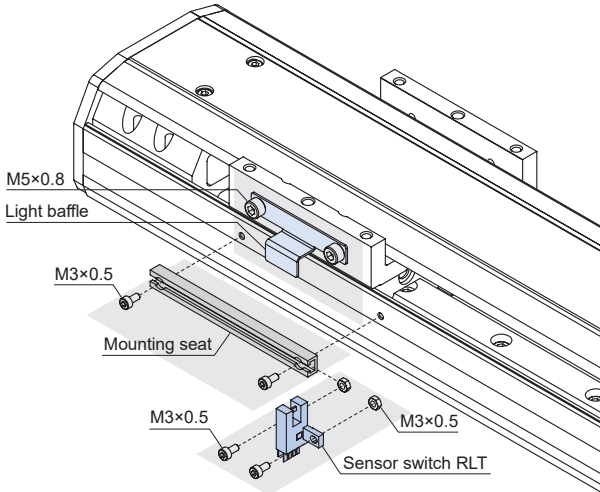
Horizontal	
AC servo motor 100W / 200W	
MY	110
MP	110
MR	120

METS2-10 Sensor mounting & Dimensions

SLIDER ELECTRIC CYLINDER (WITHOUT MOTOR)



Slot-type photomicro sensor mounting



Sensor set

Sensor switch (×1)	M3 Bolt (×2)	M3 Nut (×2)

* With cable 2m.

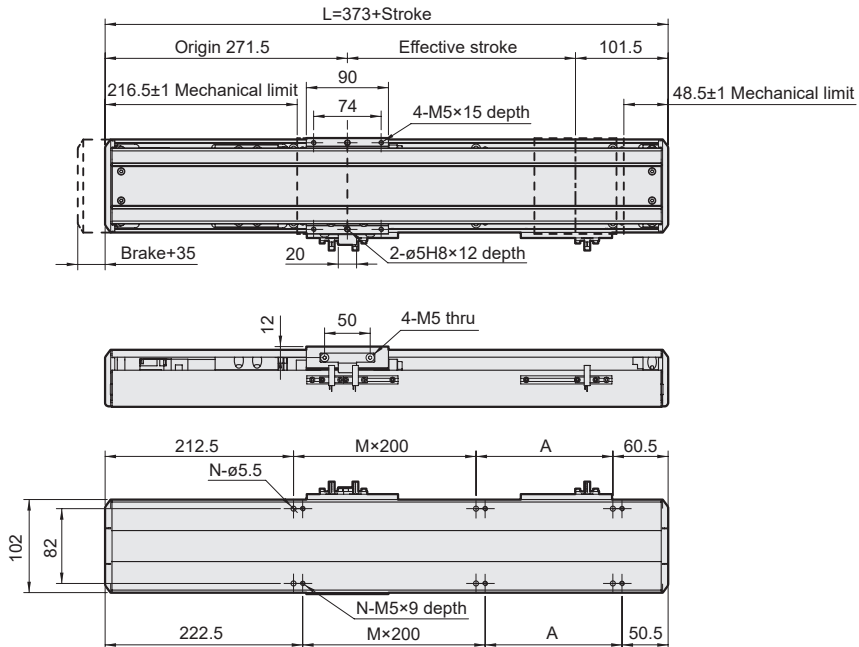
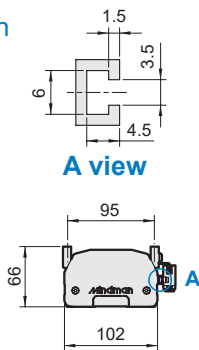
Accessory kits

AK-ET1-10-1			
Light baffle (×1)	M5 Bolt (×2)	Mounting seat (×1)	M3 Bolt (×2)
AK-ET1-10-2			
Light baffle (×1)	M5 Bolt (×2)	Mounting seat (×2)	M3 Bolt (×4)

Dimensions

M

Motor built-in



Stroke	100	150	200	250	300	350	400	450	500	550	600	650	700	750	800	850	900	950	1000
L	467	517	567	617	667	717	767	817	867	917	967	1017	1067	1117	1167	1217	1267	1317	1367
A	200	50	100	150	200	50	100	150	200	50	100	150	200	50	100	150	200	50	100
M	0	1	1	1	1	2	2	2	2	3	3	3	3	4	4	4	4	5	5
N	4	6	6	6	6	8	8	8	8	10	10	10	10	12	12	12	12	14	14
Weight (kg)	4.77	5.14	5.51	5.88	6.26	6.63	7.00	7.37	7.74	8.12	8.49	8.86	9.23	9.60	9.98	10.35	10.72	11.09	11.46

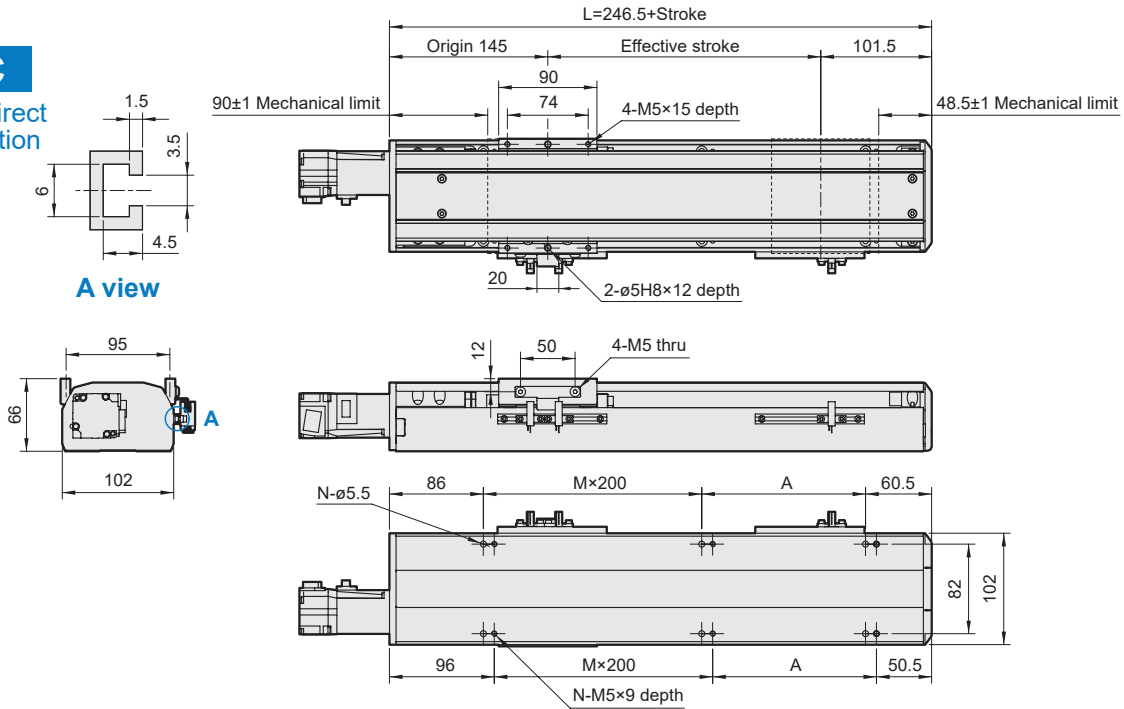
* The brake of gross weight + 0.14 kg.

METS2-10 Dimensions

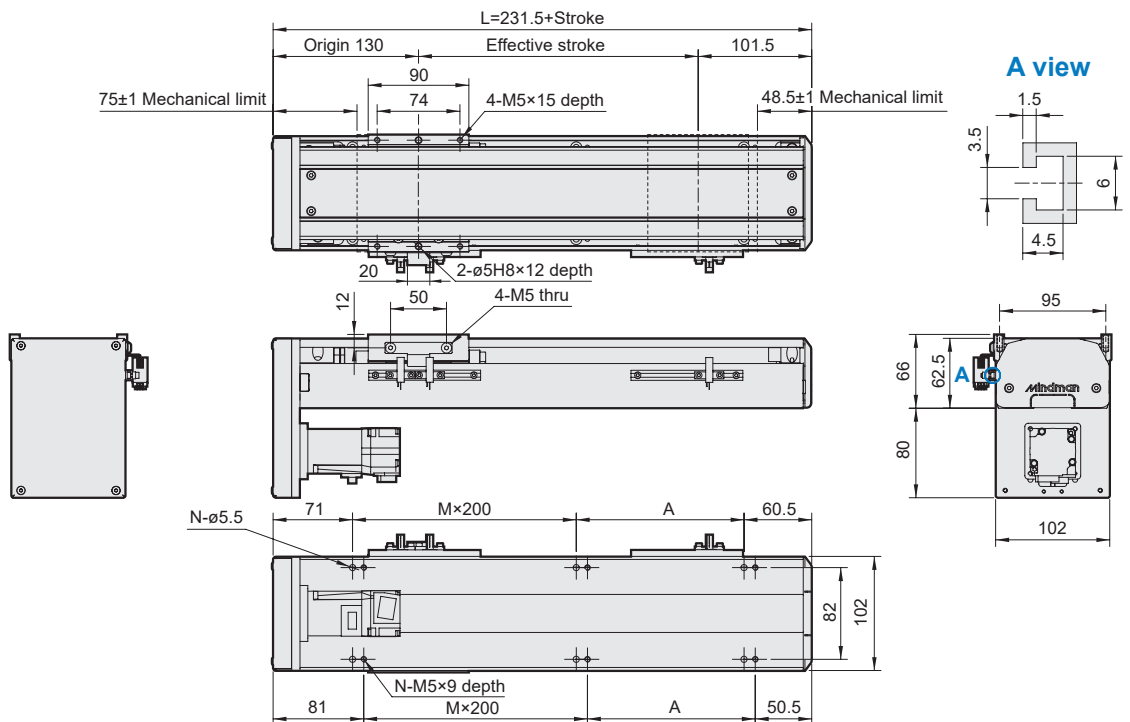
SLIDER ELECTRIC CYLINDER (WITHOUT MOTOR)



BC
Motor direct connection



BM
Motor on lower side



Stroke	100	150	200	250	300	350	400	450	500	550	600	650	700	750	800	850	900	950	1000	
L	BC	346.5	396.5	446.5	496.5	546.5	596.5	646.5	696.5	746.5	796.5	846.5	896.5	946.5	996.5	1046.5	1096.5	1146.5	1196.5	1246.5
	BM	331.5	381.5	431.5	481.5	531.5	581.5	631.5	681.5	731.5	781.5	831.5	881.5	931.5	981.5	1031.5	1081.5	1131.5	1181.5	1231.5
A		200	50	100	150	200	50	100	150	200	50	100	150	200	50	100	150	200	50	100
M		0	1	1	1	1	2	2	2	3	3	3	3	4	4	4	4	4	5	5
N		4	6	6	6	6	8	8	8	10	10	10	10	12	12	12	12	12	14	14
Weight (kg)	BC	4.41	4.79	5.16	5.53	5.90	6.27	6.65	7.02	7.39	7.76	8.13	8.51	8.88	9.25	9.62	9.99	10.37	10.74	11.11
	BM	4.44	5.22	5.18	5.55	5.93	6.30	6.67	7.04	7.41	7.79	8.16	8.53	8.90	9.27	9.65	10.02	10.39	10.76	11.13

METS2-10 Dimensions

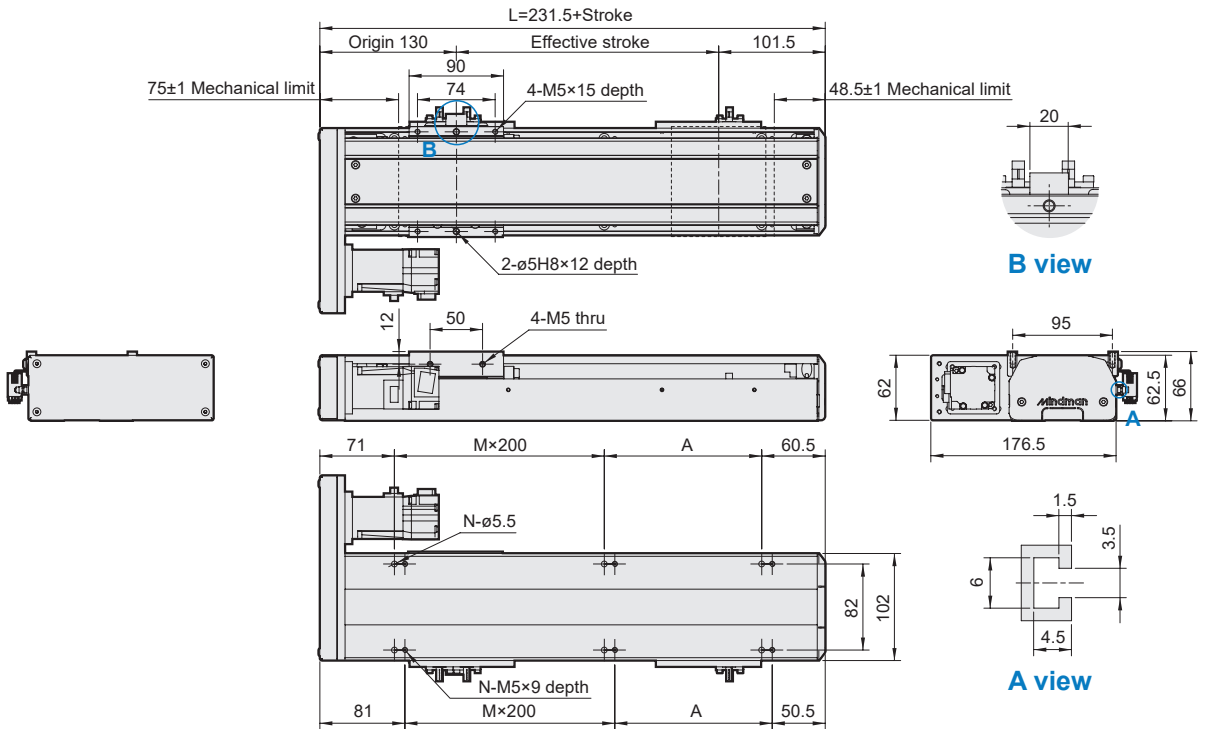
SLIDER ELECTRIC CYLINDER (WITHOUT MOTOR)



Mindman

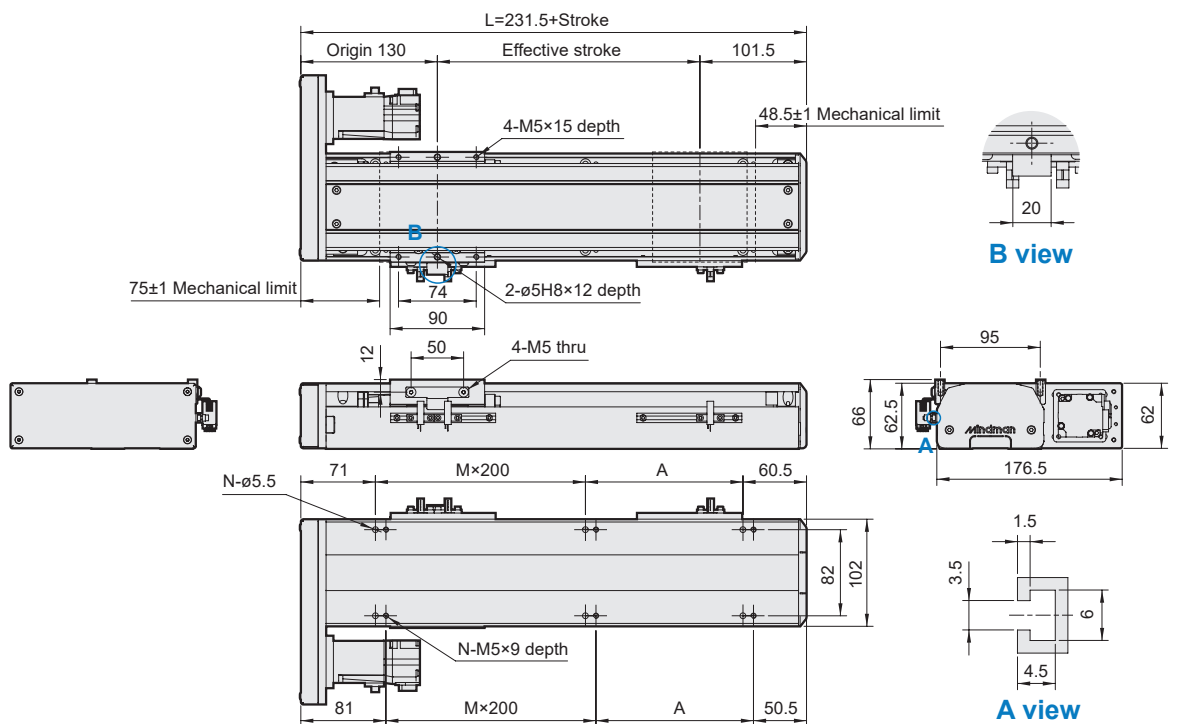
BL

Motor on left side



BR

Motor on right side



Stroke	100	150	200	250	300	350	400	450	500	550	600	650	700	750	800	850	900	950	1000
L	331.5	381.5	431.5	481.5	531.5	581.5	631.5	681.5	731.5	781.5	831.5	881.5	931.5	981.5	1031.5	1081.5	1131.5	1181.5	1231.5
A	200	50	100	150	200	50	100	150	200	50	100	150	200	50	100	150	200	50	100
M	0	1	1	1	1	2	2	2	2	3	3	3	3	4	4	4	4	5	5
N	4	6	6	6	6	8	8	8	8	10	10	10	10	12	12	12	12	14	14
Weight (kg)	4.39	4.76	5.13	5.50	5.88	6.25	6.62	6.99	7.36	7.74	8.11	8.48	8.85	9.22	9.60	9.97	10.34	10.71	11.08