

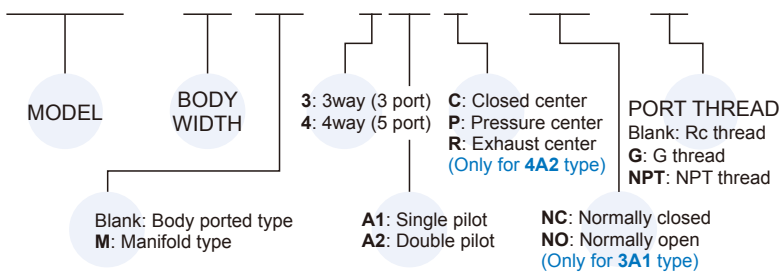
### Specification

Model	3A1	3A2	4A1	4A2	4A2C.PR
Bore No.	8A				
Port size	Rc1/4				
No. of port	3		5		
Medium	Air				
Operating pressure range	0~0.8 MPa				
Proof pressure	1 MPa				
Effective orifice	18 mm <sup>2</sup>				
Pilot pressure range	(0.3×P*+0.1)~0.8 MPa				
Ambient temperature	-5~+60°C (No freezing)				
Weight	122 g	134 g	106 g	134 g	179 g

\* P: Operating pressure.

### Order example of valve

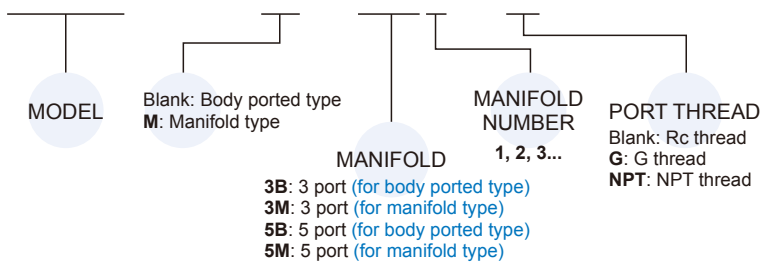
**MVAA - 220M - 4A2C - NC - G**



\* Use the same manifold with MVSC.

### Order example of manifold

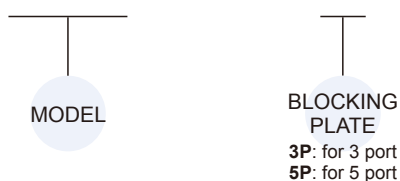
**MVSC - 220M - 5M3 - G**



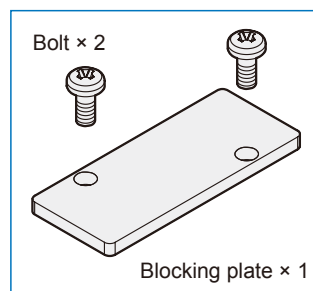
\* Use the same blocking plate with MVSC.

### Order example of blocking plate

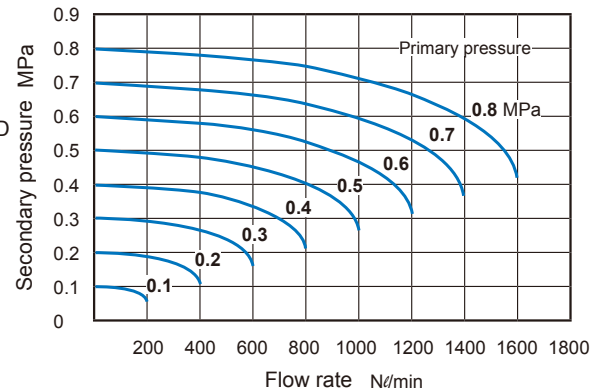
**MVSC - 220 - 5P**



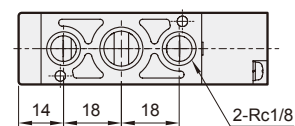
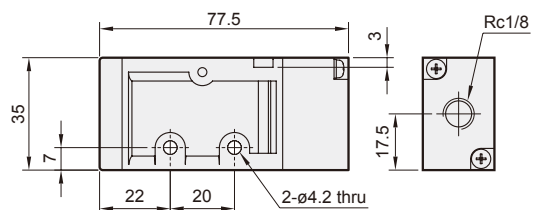
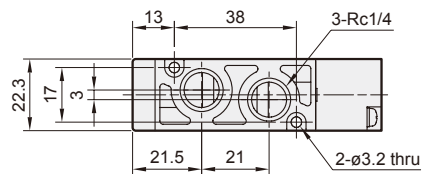
### Blocking plate parts



### Flow features



### MVAA-220-4A1

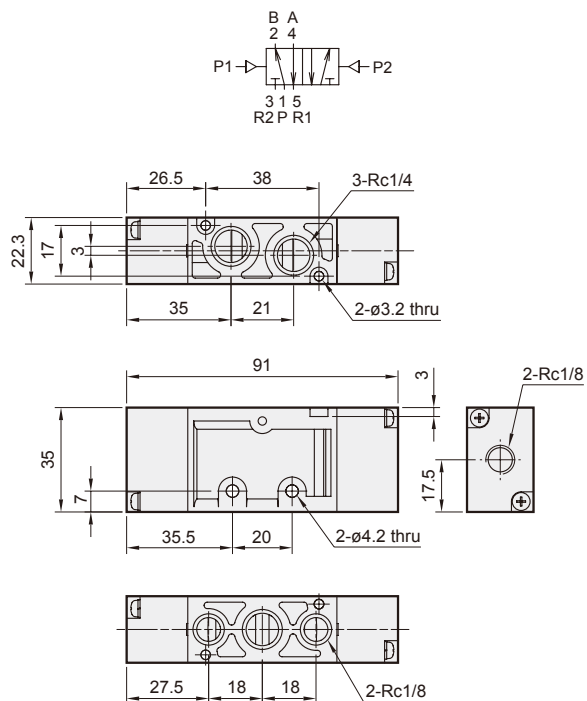


# MVAA-220 Dimensions

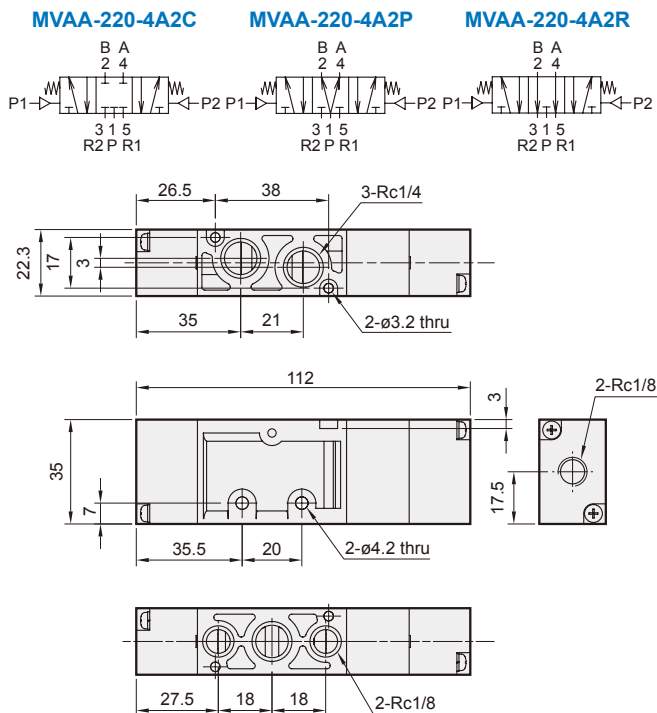
## PILOT VALVE



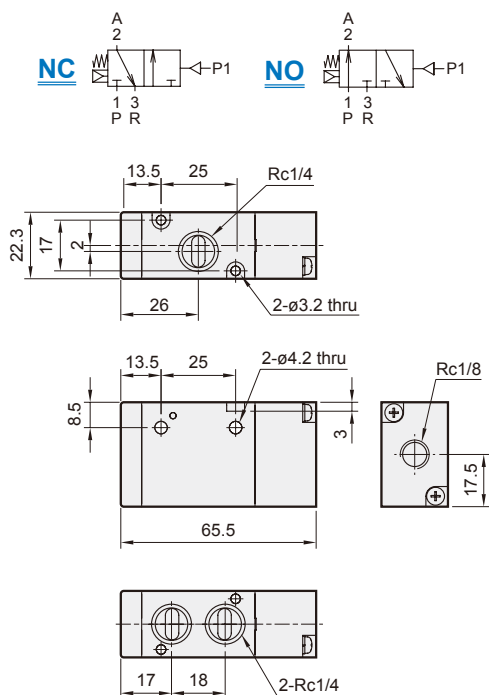
### MVAA-220-4A2



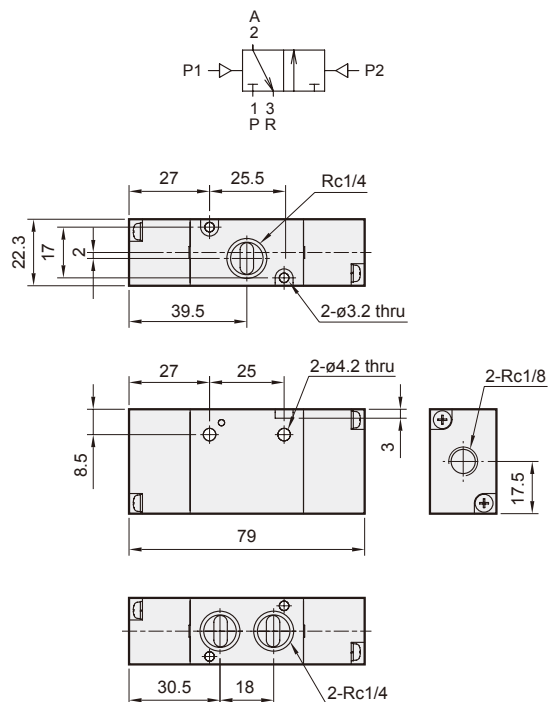
### MVAA-220-4A2C.P.R



### MVAA-220-3A1-NC/NO



### MVAA-220-3A2



# MVAA-220 Manifold

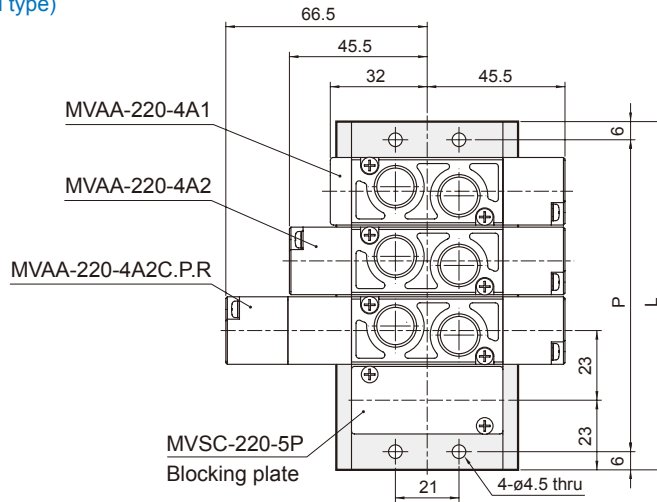
## PILOT VALVE



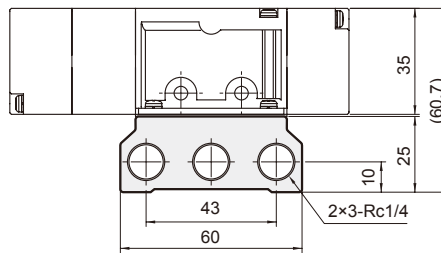
### MVSC-220-5B\*

\* Use the same manifold with MVSC.

5 port (for body ported type)



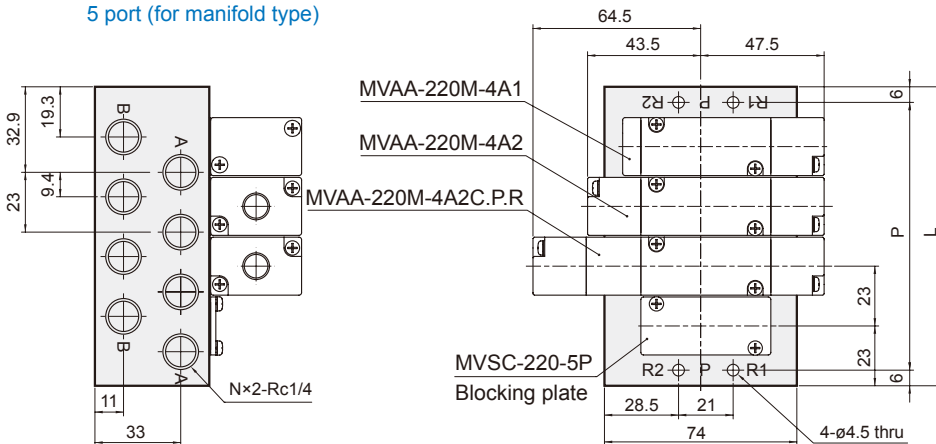
No. of stations	P	L
2	57	69
3	80	92
4	103	115
5	126	138
6	149	161
7	172	184
8	195	207
9	218	230
10	241	253



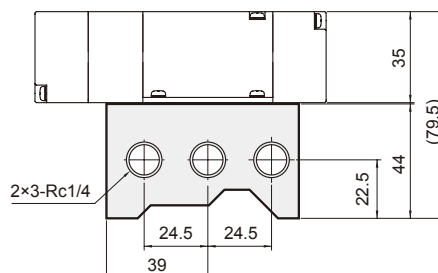
### MVSC-220-5M\*

\* Use the same manifold with MVSC.

5 port (for manifold type)



No. of stations (N)	P	L
2	57	69
3	80	92
4	103	115
5	126	138
6	149	161
7	172	184
8	195	207
9	218	230
10	241	253



# MVAA-220 Manifold

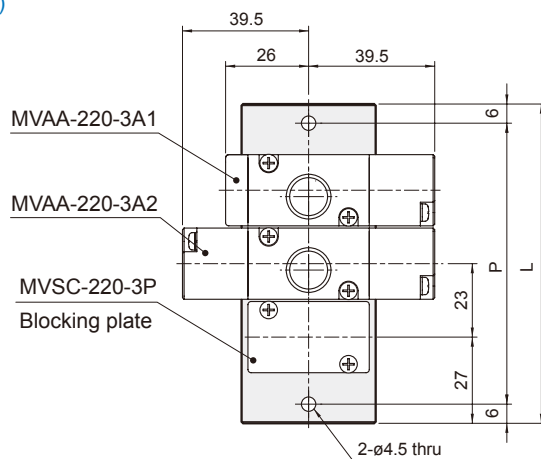
## PILOT VALVE



### MVSC-220-3B\*

\* Use the same manifold with MVSC.

3 port (for body ported type)

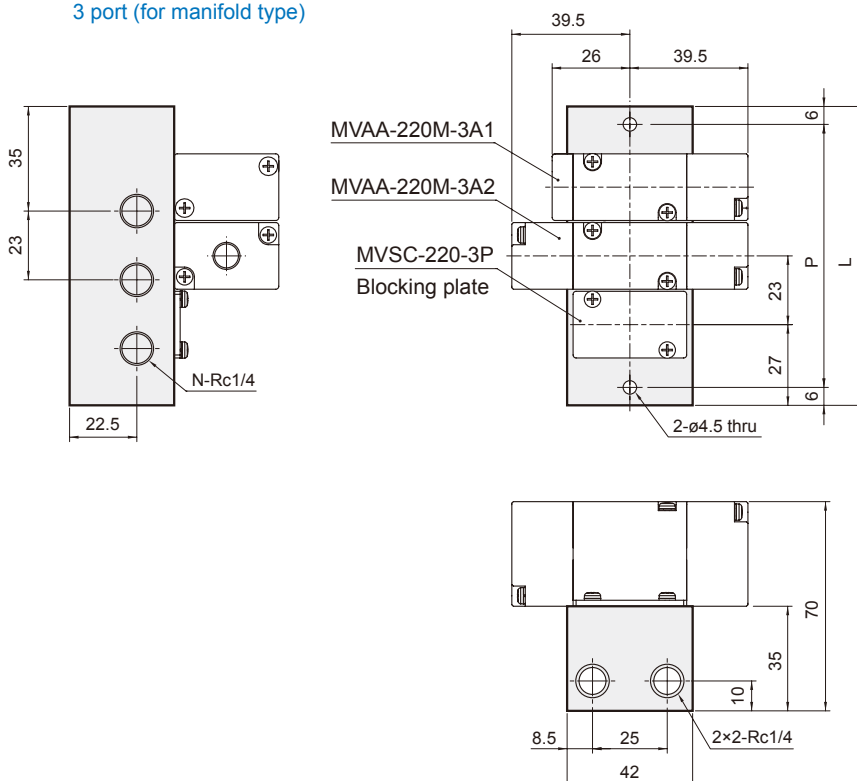


No. of stations	P	L
2	65	77
3	88	100
4	111	123
5	134	146
6	157	169
7	180	192
8	203	215
9	226	238
10	249	261

### MVSC-220-3M\*

\* Use the same manifold with MVSC.

3 port (for manifold type)



No. of stations (N)	P	L
2	65	77
3	88	100
4	111	123
5	134	146
6	157	169
7	180	192
8	203	215
9	226	238
10	249	261