

Air treatment units **HZT**



HZRP2008GD

2,5 bar

0,8 bar



# HZT



## Air treatment units

- HZT0 - G1/4 (42 mm)
- HZT1 - G3/8 (52 mm)
- HZT2 - G1/2 (63 mm)
- HZT3 - G1 (95 mm)

## Standard configurations

- Filter (F)
- Regulator (R)
- Lubricator (L)
- Filter regulator (FR)
- Filter regulator + Lubricator (FR+L)
- Filter + Regulator + Lubricator (F+R+L)

## CHARACTERISTICS

<b>Ambient temperature</b>	-5 ÷ 50 °C
<b>Fluid</b>	compressed air
<b>Max Working pressure</b>	16 bar (tg. 0) - 12,5 bar (tg. 1-2-3)
<b>Size</b>	0 - 1 - 2 - 3
<b>Body</b>	tecnopolymer with metal threaded elements
<b>Knob</b>	tecnopolymer
<b>Ring nut</b>	tecnopolymer
<b>Bowl</b>	toughened polyamide
<b>Bowl guard</b>	tecnopolymer
<b>Filter element</b>	polyethylene
<b>Seals</b>	NBR
<b>Springs</b>	steel
<b>Diaphragm</b>	NBR + textile insert

## CODIFICATION KEY

HZT | 0 | B | 08G | S | |

1 2 3 4 5 6

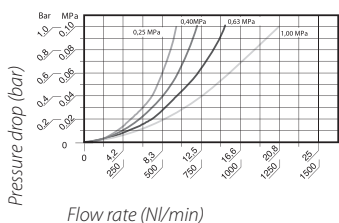
<p><b>1</b> SERIES</p> <p>HZT = Air treatment units with standard semi-automatic drain</p>	<p><b>5</b> OPTION</p> <p>S = Semi-automatic drain (standard) A = Automatic drain</p>
<p><b>2</b> SIZE</p> <p>0 = Small (G1/4) 1 = Intermediate (G3/8) * 2 = Medium (G1/2) 3 = Large (G1)</p>	<p><b>6</b> VERSION</p> <p>_ = 0 ÷ 12 bar 4 = 0 ÷ 4 bar 8 = 0 ÷ 8 bar</p>
<p><b>3</b> MODEL</p> <p>F = Filter (F) R = Regulator (R) L = Lubricator (L) B = Filter regulator (FR) D = Filter regulator+Lubricator (FR+L) C = Filter+Regulator+Lubricator (F+R+L)</p>	
<p><b>4</b> CONNECTION</p> <p>08G = G1/4 (tg. 0) 10G = G3/8 (tg. 1) 15G = G1/2 (tg. 2) * 25G = G1 (tg. 3)</p>	

\* = Upon request size 1 - G1/2

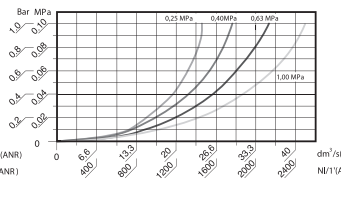
# FLOW RATE CHARACTERISTICS

## FILTER

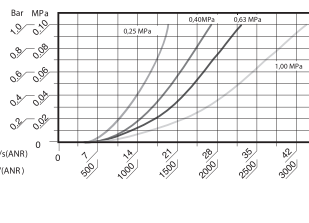
**HZT0F08GS**



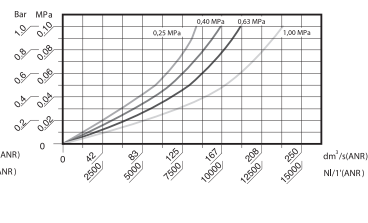
**HZT1F10GS**



**HZT2F15GS**

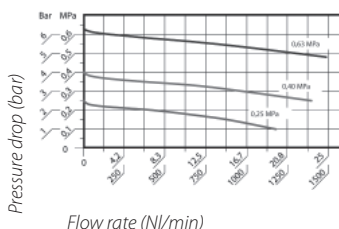


**HZT3F25GS**

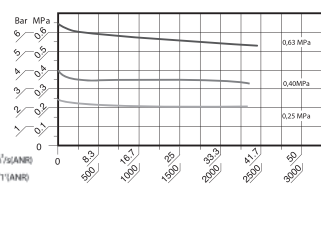


## REGULATOR

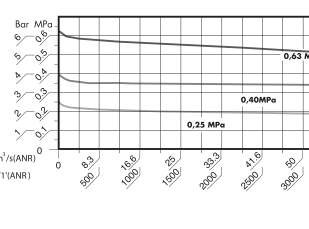
**HZT0R08G**



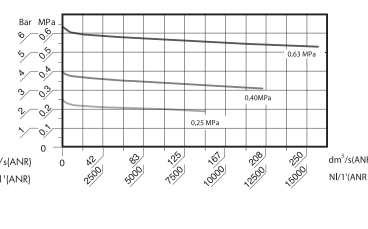
**HZT1R10G**



**HZT2R15G**

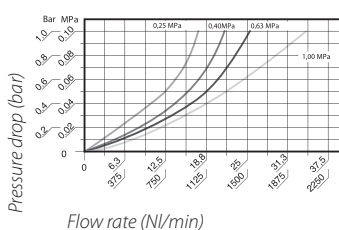


**HZT3R25G**

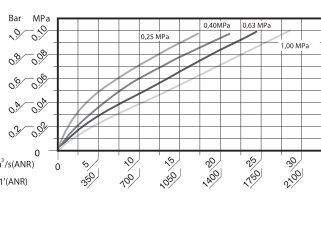


## LUBRICATOR

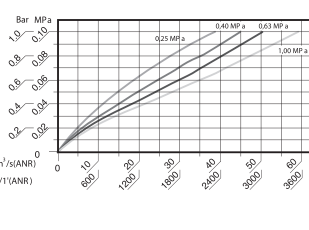
**HZT0L08G**



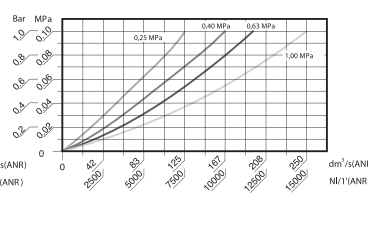
**HZT1L10G**



**HZT2L15G**

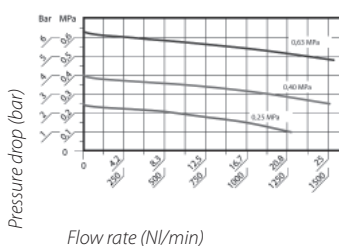


**HZT3L25G**

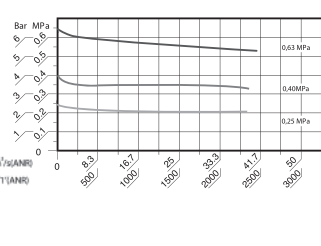


## FILTER REGULATOR

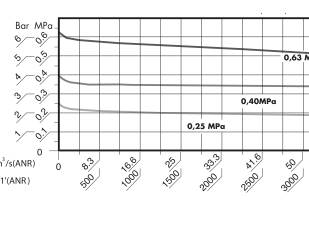
**HZT0B08GS**



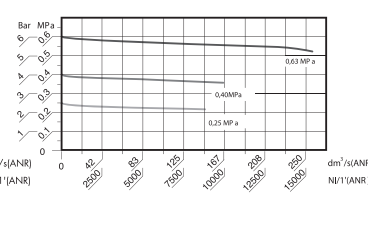
**HZT1B10GS**



**HZT2B15GS**



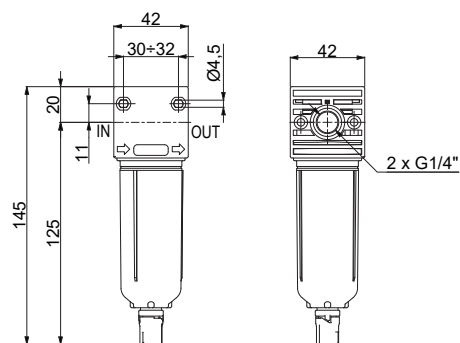
**HZT3B25GS**



## FILTER

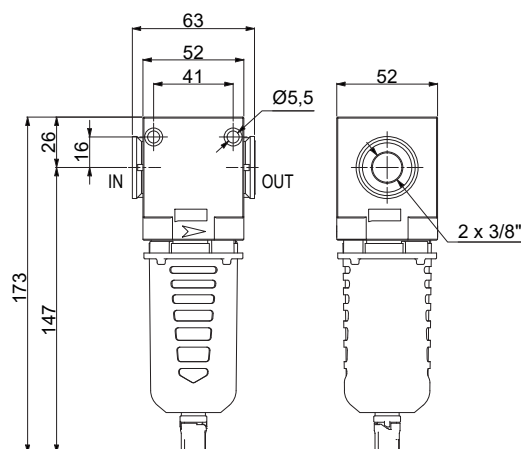
Size	0	1	2	3
Part No.	HZT0F08GS	HZT1F10GS	HZT2F15GS	HZT3F25GS
Connections	G1/4	G3/8	G1/2	G1
Filtration rating ( $\mu\text{m}$ )	5	5	5	5
Nominal flow rate (NI/min)	1250	2500	3110	13800
Max supply pressure (bar)	16	12,5	12,5	12,5
Fluid	compressed air	compressed air	compressed air	compressed air
Ambient temperature ( $^{\circ}\text{C}$ )	-5 ÷ 50	-5 ÷ 50	-5 ÷ 50	-5 ÷ 50
Condensation drain capacity ( $\text{cm}^3$ )	22	42	100	200
Condensation drain	semi-automatic	semi-automatic	semi-automatic	semi-automatic
Weight (Kg)	0,095	0,225	0,355	1,212
Mounting position	vertical	vertical	vertical	vertical
Tightening torque Max IN-OUT (Nm)	25	60	80	80

### 0 | HZT0F08GS G1/4



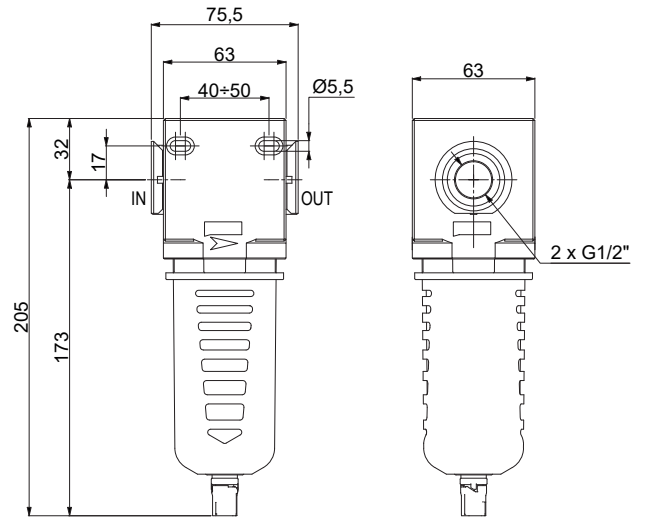
No. 2 Fixing holes  $\varnothing 4,5$

### 1 | HZT1F10GS G3/8



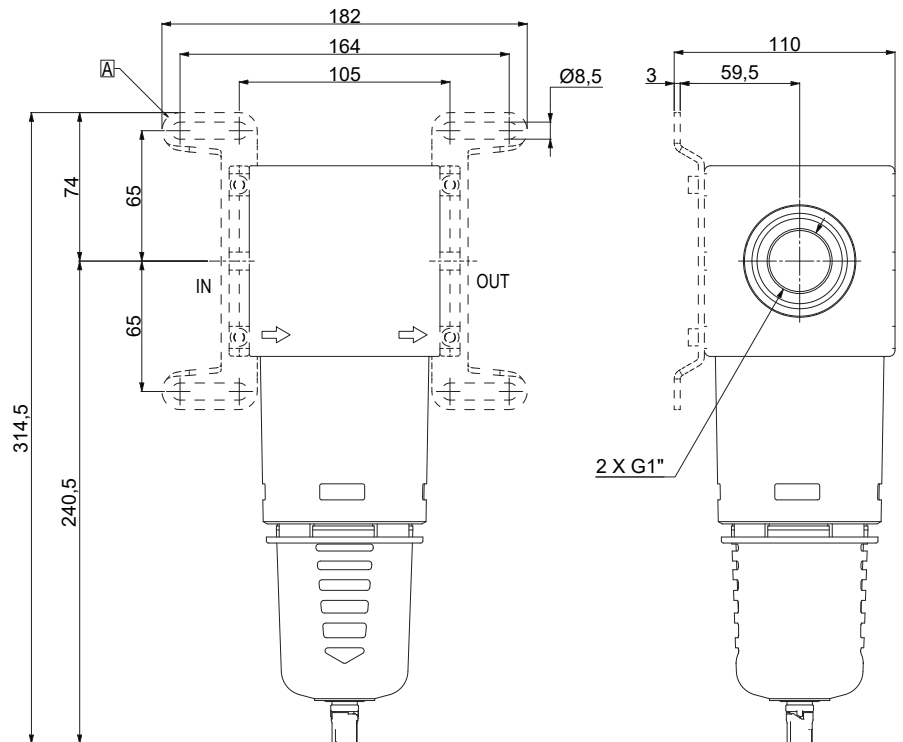
No. 2 Fixing holes  $\varnothing 5,5$

**2** | HZT2F15GS  
G1/2



No. 2 Fixing holes Ø 5,5

**3** | HZT3F25GS  
G1

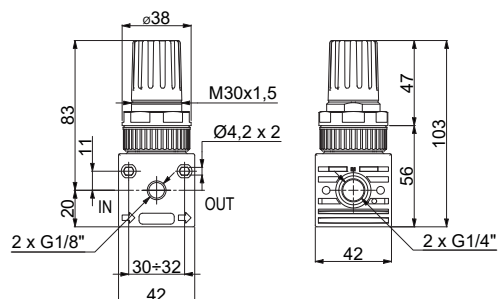


A = Fixing bracket

## REGULATOR

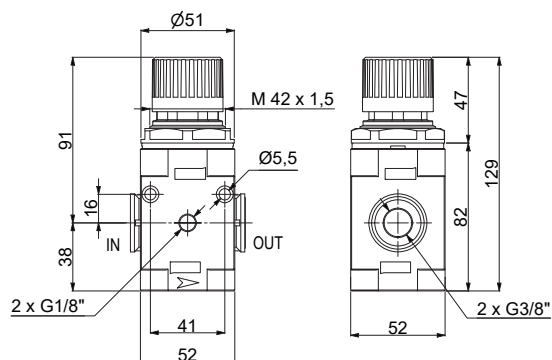
Size	0	1	2	3
Part No.	HZT0R08G	HZT1R10G	HZT2R15G	HZT3R25G
Connections	G1/4	G3/8	G1/2	G1
Nominal flow rate (NI/min)	1200	2100	2880	15000
Max supply pressure (bar)	16	12,5	12,5	12,5
Pressure adjustment relieving (bar)	0,5 ÷ 12	0,5 ÷ 12	0,5 ÷ 12	0,5 ÷ 12
Pressure gauge port	G1/8	G1/8	G1/8	G1/4
Fluid	filtered air	filtered air	filtered air	filtered air
Ambient temperature (°C)	-5 ÷ 50	-5 ÷ 50	-5 ÷ 50	-5 ÷ 50
Weight (Kg)	0,125	0,325	0,435	1,721
Mounting position	any	any	any	any
Tightening torque Max IN-OUT (Nm)	25	60	80	80

### 0 | HZT0R08G G1/4



No. 2 Fixing holes Ø4,5

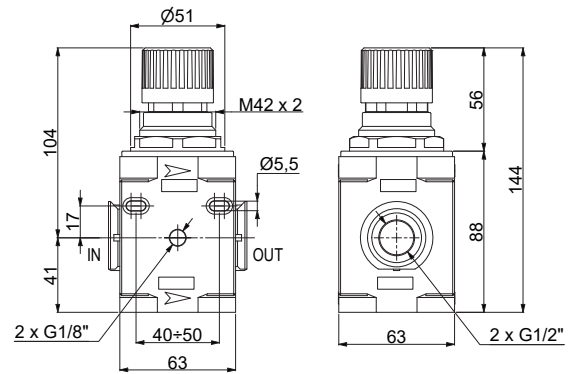
### 1 | HZT1R10G G3/8



No. 2 Fixing holes Ø5,5

## 2 | HZT2R15G

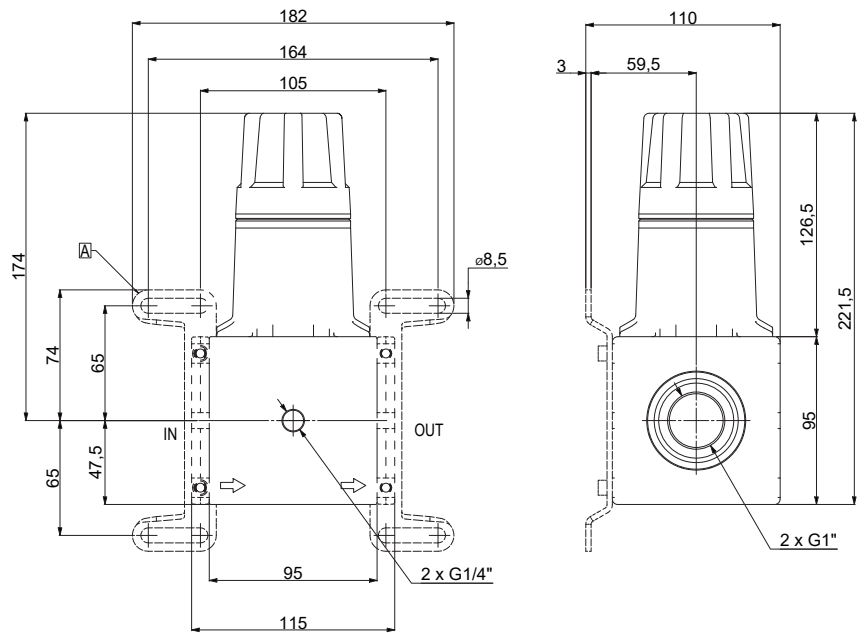
G1/2



No. 2 Fixing holes  $\varnothing 5,5$

## 3 | HZT3R25G

G1



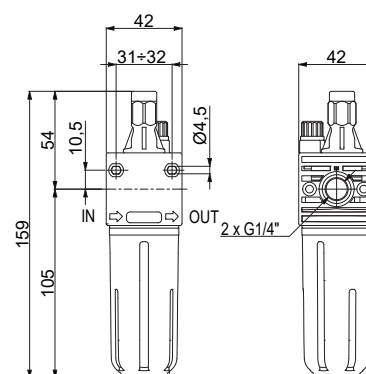
A = Fixing bracket



## LUBRICATOR

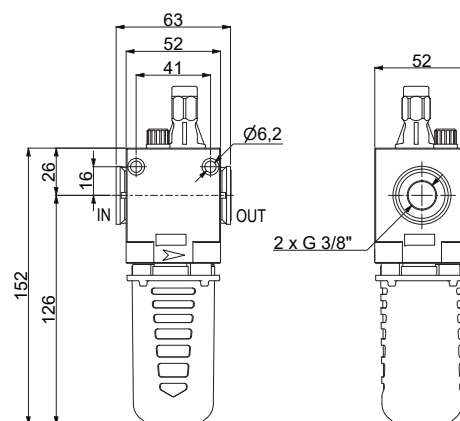
Size	0	1	2	3
Part No.	HZT0L08G	HZT1L10G	HZT2L15G	HZT3L25G
Connections	G1/4	G3/8	G1/2	G1
Nominal flow rate (Nl/min)	2060	2060	3550	15000
Max supply pressure (bar)	16	12,5	12,5	12,5
Fluid	filtered air	filtered air	filtered air	filtered air
Ambient temperature (°C)	-5 ÷ 50	-5 ÷ 50	-5 ÷ 50	-5 ÷ 50
Bowl capacity (cm <sup>3</sup> )	42	68	140	440
Weight (Kg)	0,095	0,230	0,335	1,194
Mounting position	vertical	vertical	vertical	vertical
Recommended oil	ISO VG 32	ISO VG 32	ISO VG 32	ISO VG 32
Minimum working flow rate at 6,3 bar (l/min)	11	11	30	65
Tightening torque Max IN-OUT (Nm)	25	60	80	80

### 0 | HZT0L08G G1/4



No. 2 Fixing holes Ø4,5

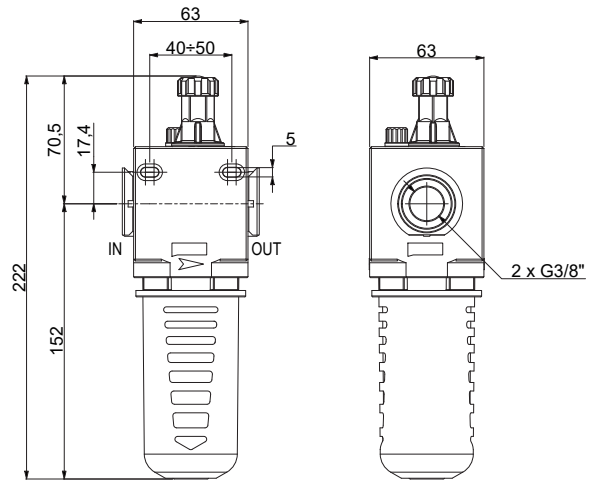
### 1 | HZT1L10G G3/8



No. 2 Fixing holes Ø5,5

## 2 | HZT2L15G

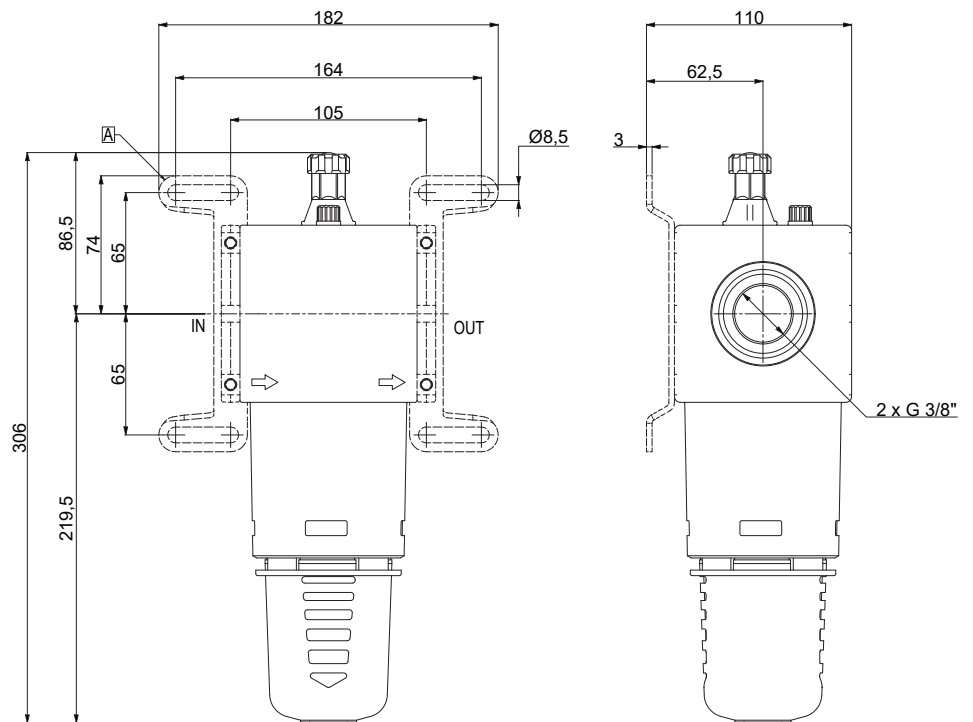
G1/2



No. 2 Fixing holes Ø 5,5

## 3 | HZT3L25G

G1

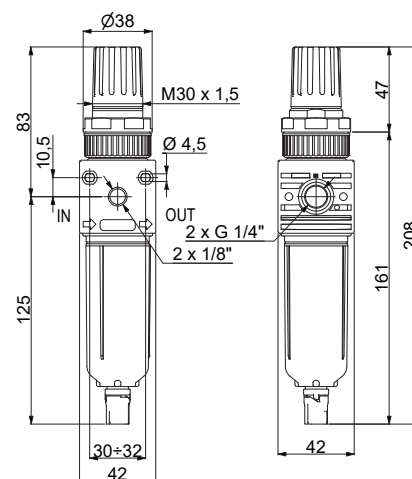
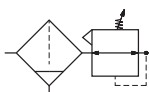


A = Fixing bracket

## FILTER REGULATOR

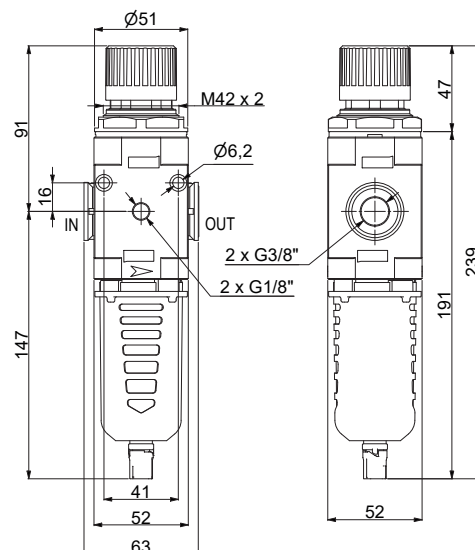
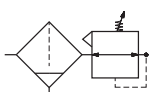
Size	0	1	2	3
Part No.	HZT0B08GS	HZT1B10GS	HZT2B15GS	HZT3B25GS
Connections	G1/4	G3/8	G1/2	G1
Filtration rating ( $\mu\text{m}$ )	5	5	5	5
Nominal flow rate (NI/min)	1200	2100	2880	15000
Max supply pressure (bar)	16	12,5	12,5	12,5
Pressure adjustment relieving (bar)	0,5 ÷ 12	0,5 ÷ 12	0,5 ÷ 12	0,5 ÷ 12
Pressure gauge port	G1/8	G1/8	G1/8	G1/4
Fluid	filtered air	filtered air	filtered air	filtered air
Ambient temperature ( $^{\circ}\text{C}$ )	-5 ÷ 50	-5 ÷ 50	-5 ÷ 50	-5 ÷ 50
Condensation drain capacity ( $\text{cm}^3$ )	22	42	100	200
Condensation drain	semi-automatic	semi-automatic	semi-automatic	semi-automatic
Weight (Kg)	0,125	0,410	0,565	2,060
Mounting position	vertical	vertical	vertical	vertical
Tightening torque Max IN-OUT (Nm)	25	50	80	80

### 0 | HZT0B08GS G1/4



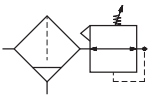
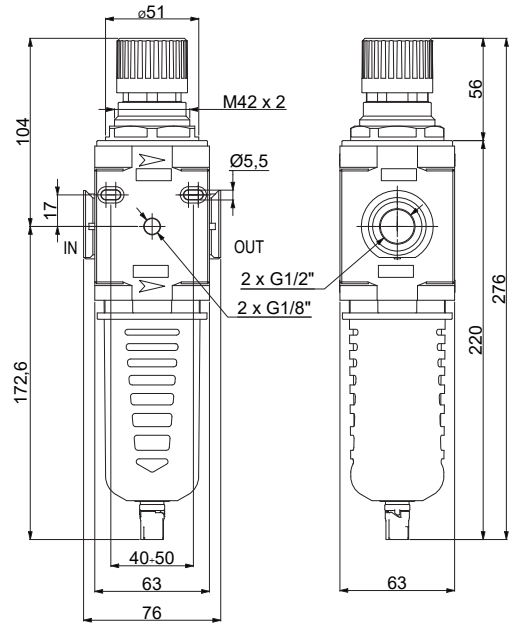
No. 2 Fixing holes  $\varnothing 4,5$

### 1 | HZT1B10GS G3/8



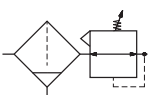
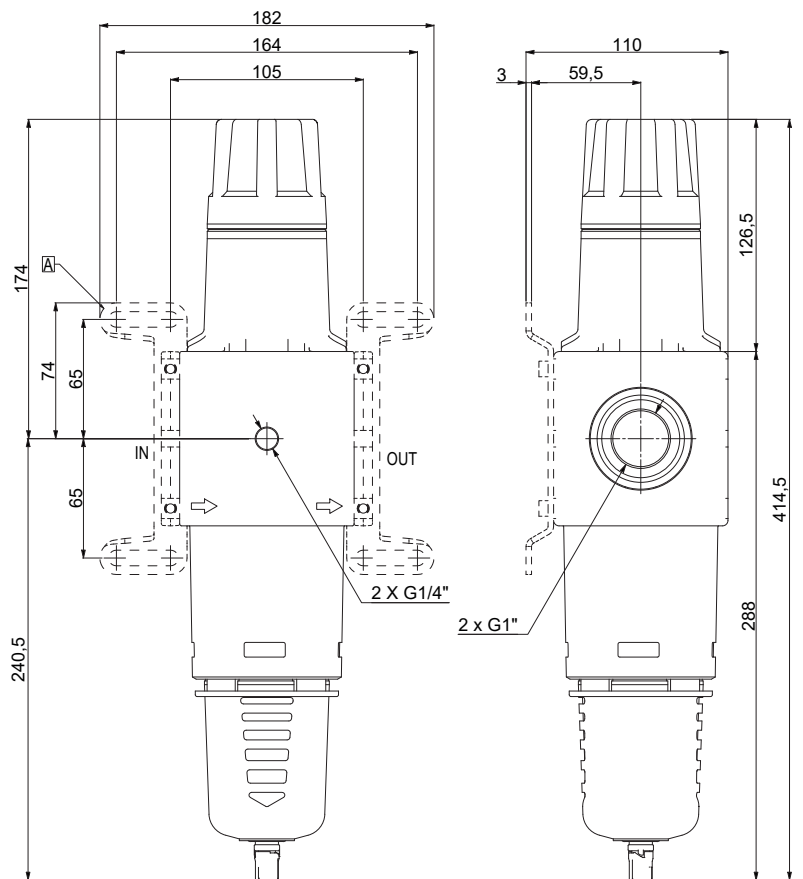
No. 2 Fixing holes  $\varnothing 5,5$

**2** | HZT2B15GS  
G1/2



No. 2 Fixing holes Ø 5,5

**3** | HZT3B25GS  
G1

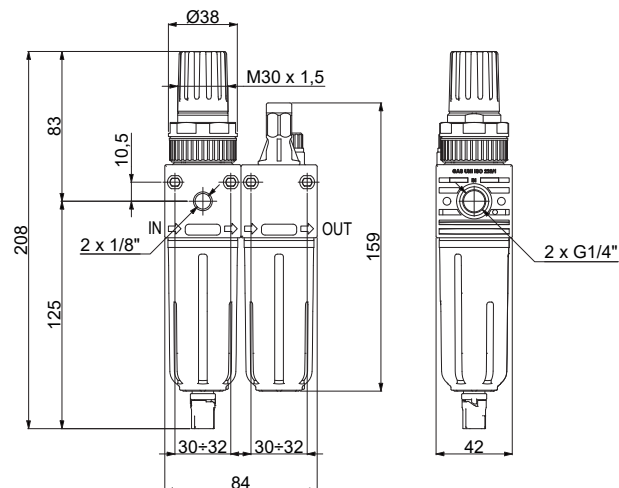


A = Fixing bracket

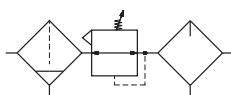
## FILTER REGULATOR + LUBRICATOR

Size	0	1	2	3
Part No.	HZT0D08GS	HZT1D10GS	HZT2D15GS	HZT3D25GS
Connections	G1/4	G3/8	G1/2	G1
Filtration rating ( $\mu\text{m}$ )	5	5	5	5
Nominal flow rate (NI/min)	980	1500	2200	8000
Max supply pressure (bar)	16	12,5	12,5	12,5
Pressure adjustment relieving (bar)	0,5 ÷ 12	0,5 ÷ 12	0,5 ÷ 12	0,5 ÷ 12
Pressure gauge port	G1/8	G1/8	G1/8	G1/4
Fluid	compressed air	compressed air	compressed air	compressed air
Ambient temperature ( $^{\circ}\text{C}$ )	-5 ÷ 50	-5 ÷ 50	-5 ÷ 50	-5 ÷ 50
Condensation drain capacity ( $\text{cm}^3$ )	22	42	100	200
Condensation drain	semi-automatic	semi-automatic	semi-automatic	semi-automatic
Weight (Kg)	0,32	0,70	0,94	3,37
Mounting position	vertical	vertical	vertical	vertical
Recommended oil	ISO VG 32	ISO VG 32	ISO VG 32	ISO VG 32
Minimum working flow rate at 6,3 bar (l/min)	11	11	30	65
Tightening torque Max IN-OUT (Nm)	25	60	80	80

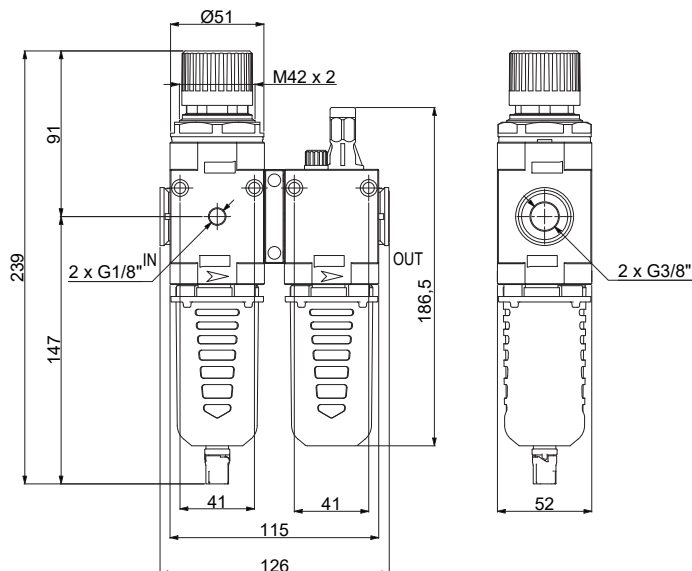
### 0 | HZT0D08GS G1/4



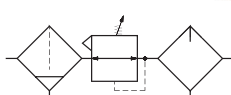
No. 2 Fixing holes  $\varnothing 4,5$



### 1 | HZT1D10GS G3/8

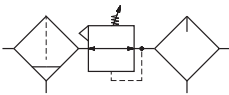
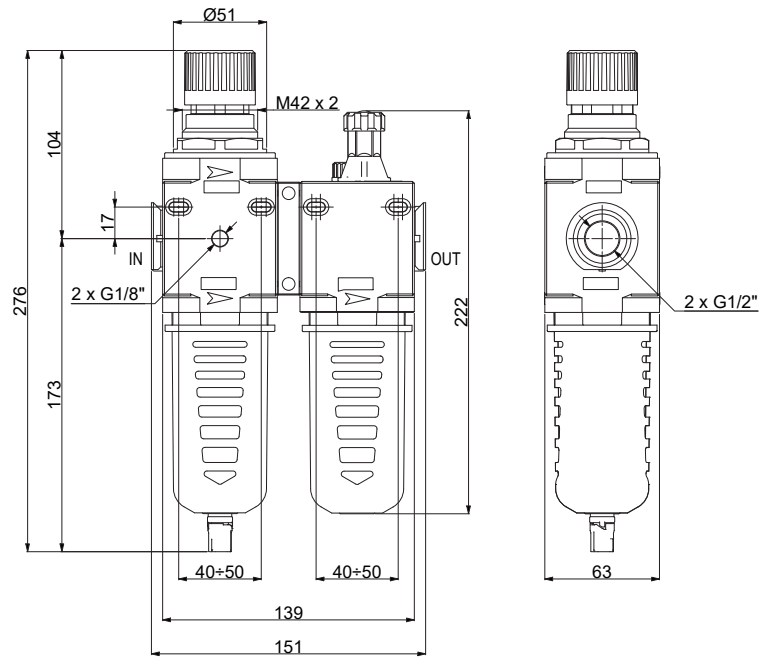


No. 2 Fixing holes  $\varnothing 5,5$



## 2 | HZT2D15GS

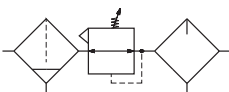
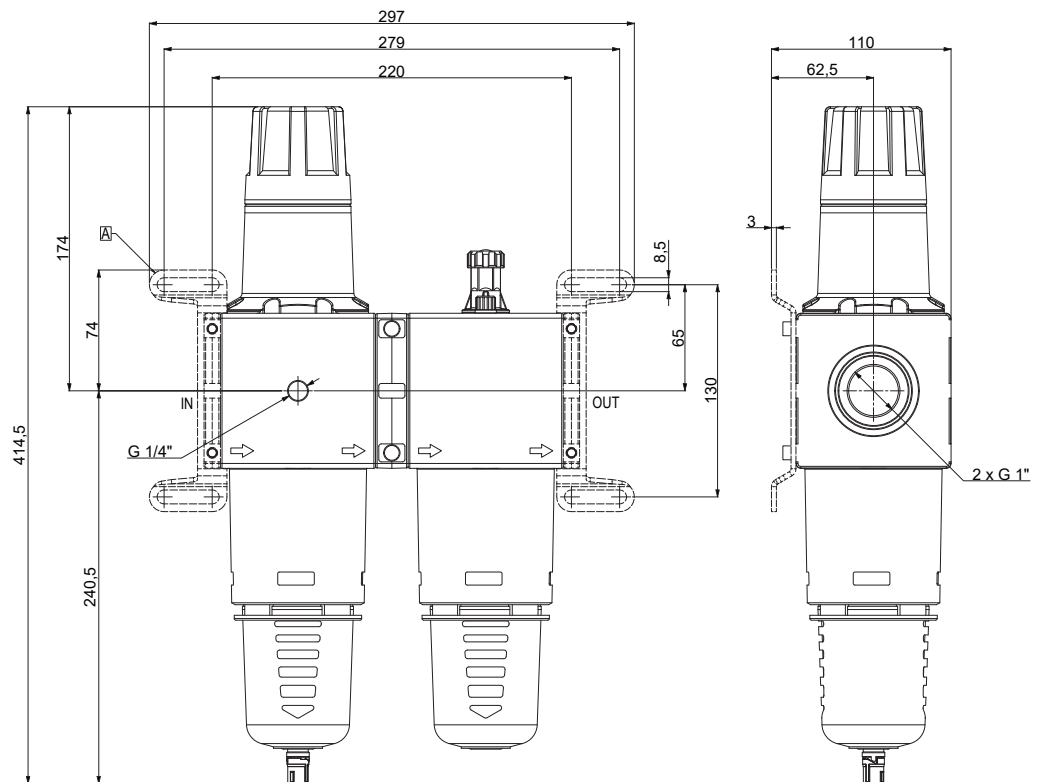
G1/2



No. 2 Fixing holes Ø 5,5

## 3 | HZT3D25GS

G1

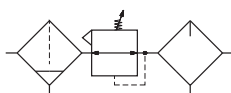
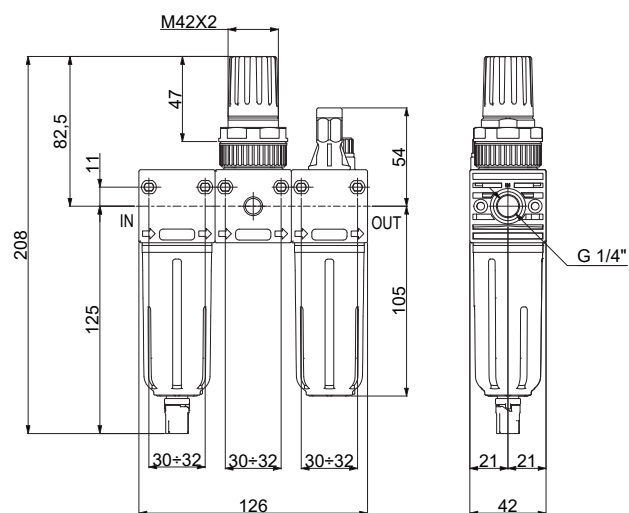


A = Fixing bracket

## FILTER REGULATOR + LUBRICATOR

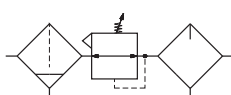
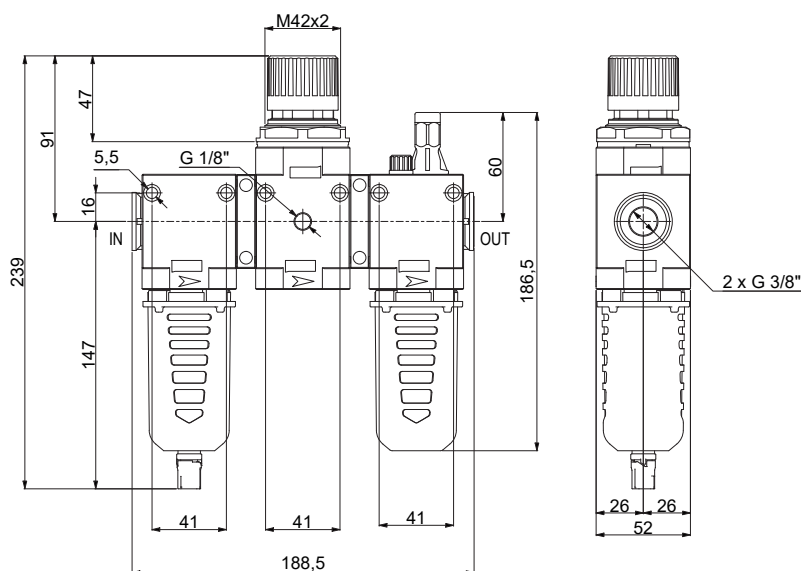
Size	0	1	2	3
Part No.	HZT0C08GS	HZT1C10GS	HZT2C15GS	HZT3C15GS
Connections	G1/4	G3/8	G1/2	G1
Filtration rating ( $\mu\text{m}$ )	5	5	5	5
Nominal flow rate (l/min)	980	1500	2200	8000
Max supply pressure (bar)	16	12,5	12,5	12,5
Pressure adjustment relieving (bar)	0,5 ÷ 8,5	0,5 ÷ 8,5	0,5 ÷ 8,5	0,5 ÷ 8,5
Pressure gauge port	G1/8	G1/8	G1/8	G1/4
Fluid	compressed air	compressed air	compressed air	compressed air
Ambient temperature ( $^{\circ}\text{C}$ )	-5 ÷ 50	-5 ÷ 50	-5 ÷ 50	-5 ÷ 50
Condensation drain capacity ( $\text{cm}^3$ )	22	42	100	200
Condensation drain	semi-automatic	semi-automatic	semi-automatic	semi-automatic
Weight (Kg)	0,35	0,776	1,23	4,44
Mounting position	vertical	vertical	vertical	vertical
Recommended oil	ISO VG 32	ISO VG 32	ISO VG 32	ISO VG 32
Minimum working flow rate at 6,3 bar (l/min)	11	11	30	65
Tightening torque Max IN-OUT (Nm)	25	60	80	80

### 0 | HZT0C08GS G1/4



No. 2 Fixing holes  $\varnothing 4,5$

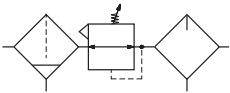
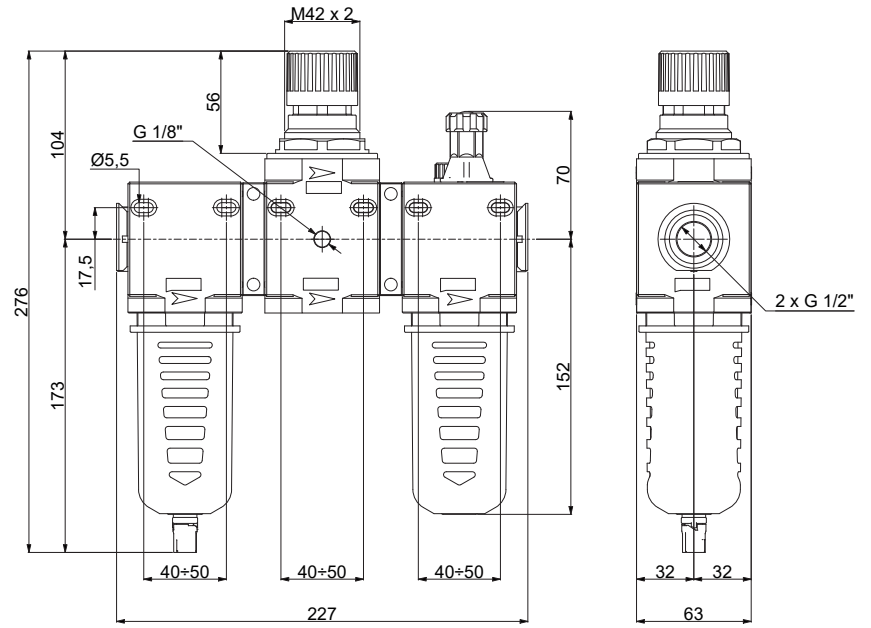
### 1 | HZT1C10GS G3/8



No. 2 Fixing holes  $\varnothing 5,5$

## 2 | HZT2C15GS

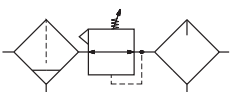
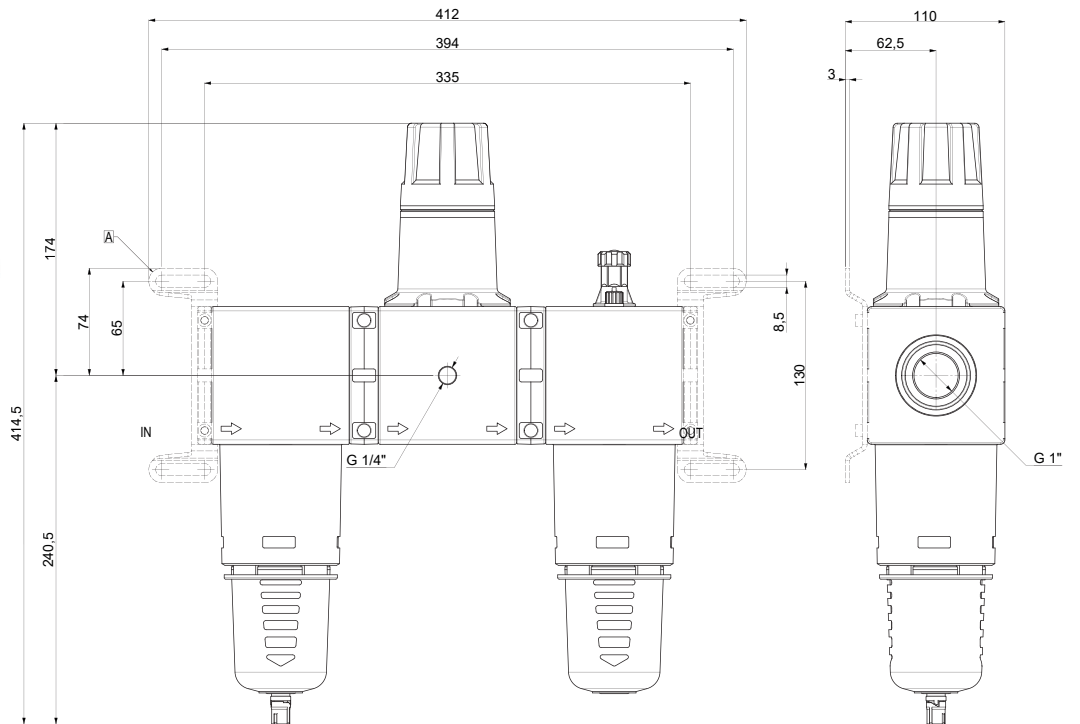
G1/2



No. 2 Fixing holes Ø 5,5

## 3 | HZT3C25GS

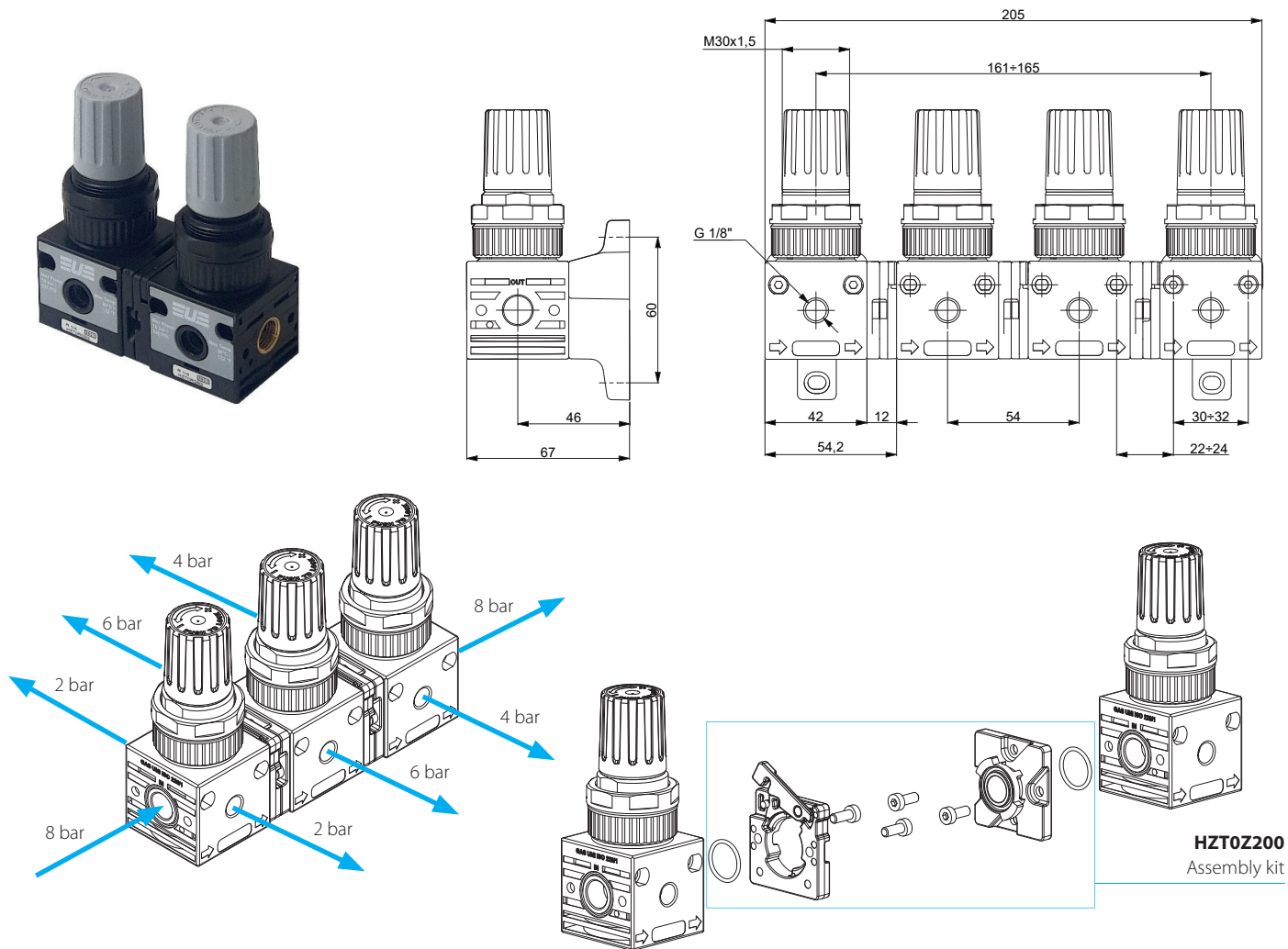
G1



A = Fixing bracket



## Other versions available



### HZTOR08GB

Regulator for manifold  
Size 0

For assembling manifolds of regulators, use HZT0Z00 kit (technical specifications at page 26). The assembly kit enables to orientate the regulator position by 90°.



### HZTORL08G

Regulator with lockable knob  
Size 0



### HZTOBL08G

Filter-regulator with lockable knob  
Size 0

## GRADUAL STARTER

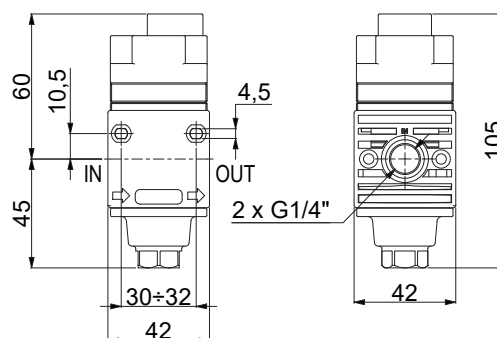
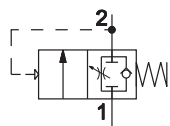
Size	0	1	2
Part No.	HZT0Y08G	HZT1Y10G	HZT2Y15G
Connections	G1/4	G3/8	G1/2
Nominal flow rate (NI/min)	1570	2580	3075
Max supply pressure (bar)	10	10	10
Min. pressure (bar)	3	3	3
Fluid	compressed air	compressed air	compressed air
Ambient temperature (°C)	-5 ÷ 50	-5 ÷ 50	-5 ÷ 50
Weight (Kg)	0,136	0,270	0,410
Mounting position	vertical	vertical	vertical

The gradual starter is used in pneumatic circuits where a cut-off in pressure or an abrupt start-up is to be avoided to prevent possible damages to equipment.

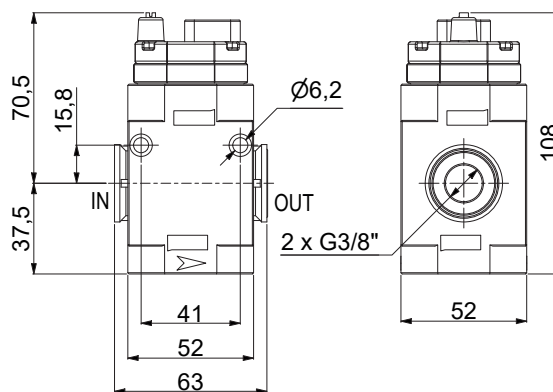
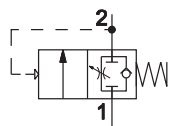
### FUNCTIONING PRINCIPLE

2 way valve which, in the stand-by position, allows the passage of an air regulated flow, when the working pressure is reached the valve allows the air full passage.

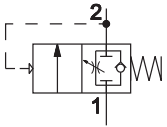
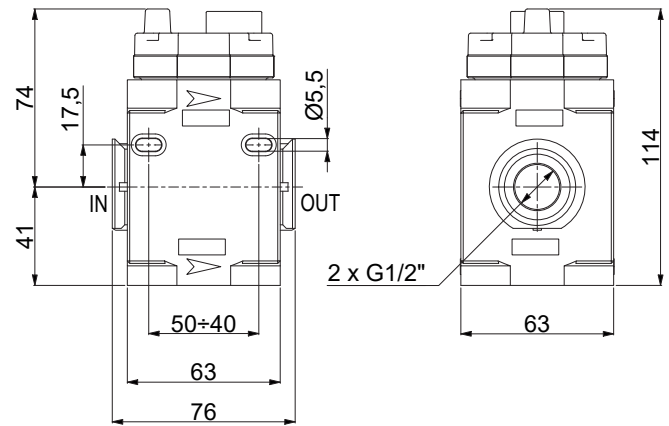
### 0 | HZT0Y08G G1/4



### 1 | HZT1Y10G G3/8



## 2 | HZT2Y15G G1/2

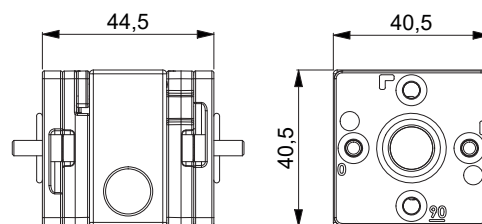


## DIVERTER BLOCK

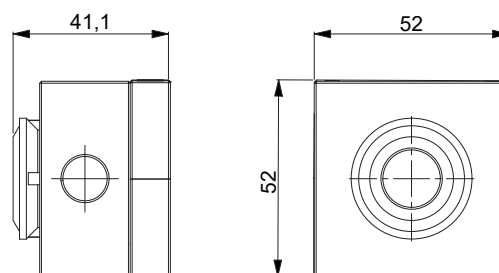
Size	0	1	2
Part No.	HZT0N08G	HZT1N10G	HZT2N15G
Connections (A)	In/Out G1/4	In/Out G3/8	In/Out G1/2
Max supply pressure (bar)	10	10	10
Fluid	air	air	air
Ambient temperature (°C)	0 ÷ 60	0 ÷ 60	0 ÷ 60
Weight (Kg)	0,13	0,35	0,55
Mounting position	vertical	vertical	vertical
<b>OTHER VERSIONS AVAILABLE:</b>			
Intermediate diverter block	G1/4 - G1/8	G1/4	G1/4
Inlet diverter block	G1/4 - G1/8	G3/8 - G1/4	G1/2 - G1/4
Outlet diverter block	G1/4 - G1/8	G3/8 - G1/4	G1/2 - G1/4

(A) = Put caps on not-used outputs  
Connections on both sides to install pressure switch.

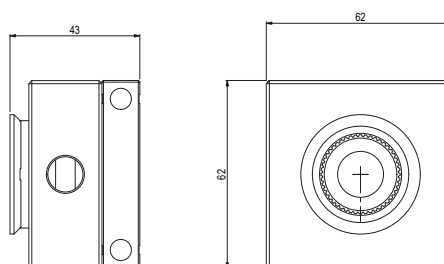
### 0 | HZT0N08G G1/4



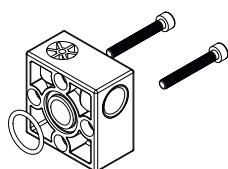
### 1 | HZT1N10G G3/8



## 2 | HZT2N15G G1/2

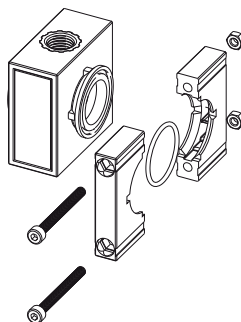


### Other versions available



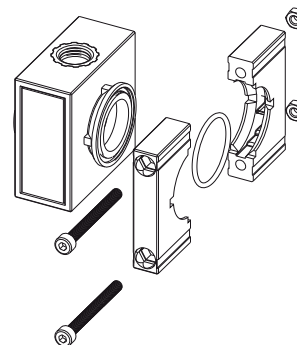
#### TERMINALS Size 0

Input terminals  
G1/4 + dadi **HZT0N08GI**  
Output terminals  
G1/4 + dadi **HZT0N08GO**



#### TERMINALS Size 1

Input terminals  
G1/4 + G3/8 **HZT1N10GI**  
Output terminals  
G1/4 + G3/8 **HZT1N10GO**



#### TERMINALS Size 2

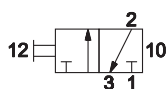
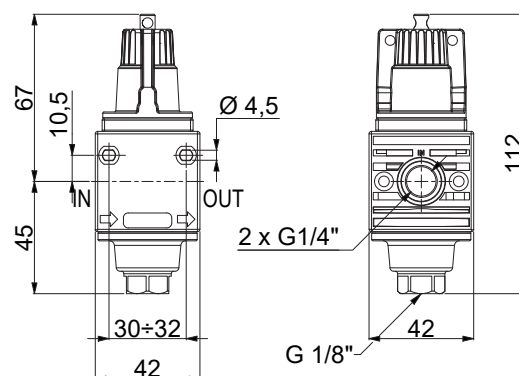
Input terminals  
G1/4 + G1/2 **HZT2N15GI**  
Output terminals  
G1/4 + G1/2 **HZT2N15GO**

## LOCKABLE VALVE

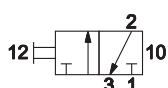
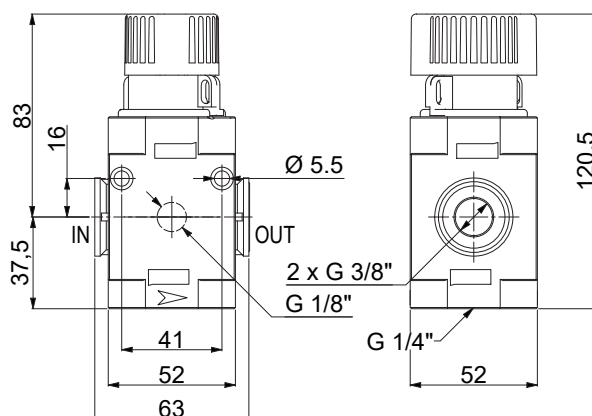
Size	0	1	2
Part No.	HZT0P08G	HZT1P10G	HZT2P15G
Connections	G1/4	G3/8	G1/2
Nominal flow rate (NI/min)	1570	2580	3075
Max supply pressure (bar)	16	12,5	12,5
Fluid	compressed air	compressed air	compressed air
Ambient temperature (°C)	-5 ÷ 50	-5 ÷ 50	-5 ÷ 50
Weight (Kg)	0,155	0,270	0,390
Mounting position	vertical	vertical	vertical

The lockable valve is a 3-way 2-position manual valve. In the closed position it enables discharge of the downstream system of the air preparation equipment. By using one or two locks (not included) the user is not allowed to pressurize the system accidentally.

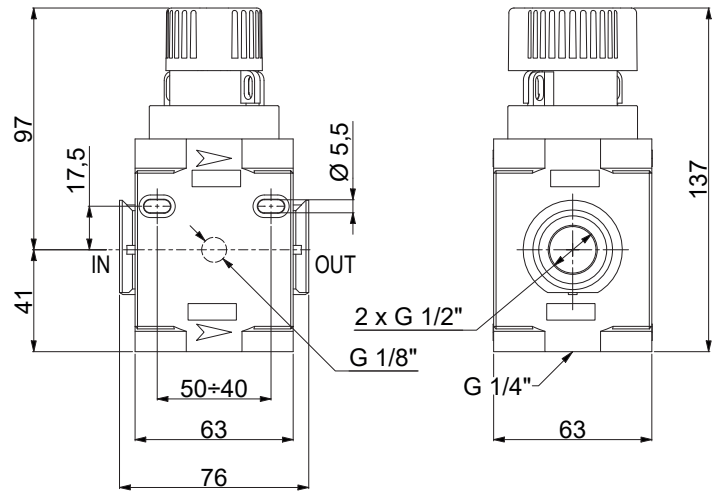
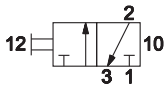
### 0 | HZT0P08G G1/4



### 1 | HZT1P10G G3/8



**2** | HZT2P15G  
G1/2

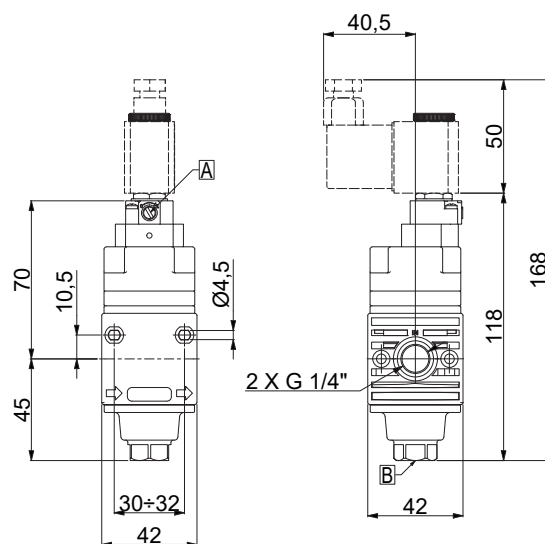
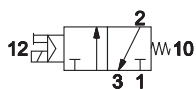


## SHUT-OFF VALVE

Size	0	1	2
Part No.	HZT0S08G	HZT1S10G	HZT2S15G
Connections	G1/4	G3/8	G1/2
Nominal flow rate (NI/min)	1570	2580	3075
Exhaust flow rate (NI/min)	1000	1000	1000
Max supply pressure (bar)	10	10	10
Min pressure (bar)	3	3	3
Fluid	compressed air	compressed air	compressed air
Ambient temperature (°C)	-5 ÷ 50	-5 ÷ 50	-5 ÷ 50
Weight (Kg)	0,20	0,30	0,52
Mounting position	vertical	vertical	vertical
Commutation system	poppet valve	poppet valve	poppet valve
Ways/Position	3/2 NC	3/2 NC	3/2 NC
Control	indirect electropneumatic control	indirect electropneumatic control	indirect electropneumatic control
Electropilot		U1 AA series	
Coil		DA/DC	
Power consumption		3,5 W (DC) - 5 VA (AC)	
Electrical connection		AM-5110	
Voltage		12 V DC - 24 V DC - 24 V AC - 110 V AC - 230 V AC	
Manual Override		with 2-position screw	

The 3-ways valve enable system supply and exhaust.  
Version with CNOMO or 15 mm electropilot is available upon request.

### 0 | HZT0S08G G1/4

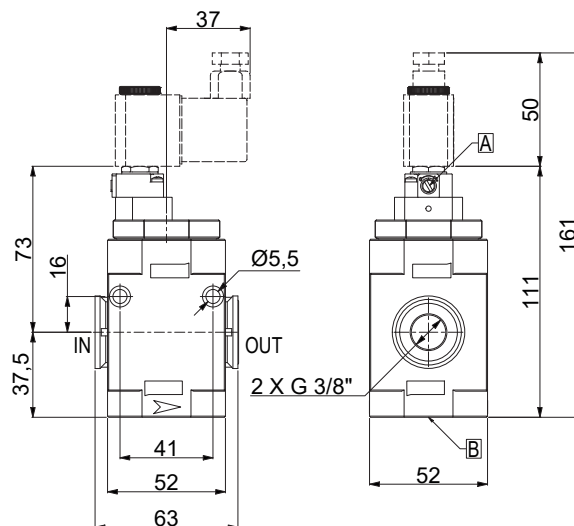
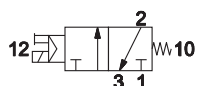


A = Manual override  
B = Exhaust G1/8



## 1 | HZT1S10G

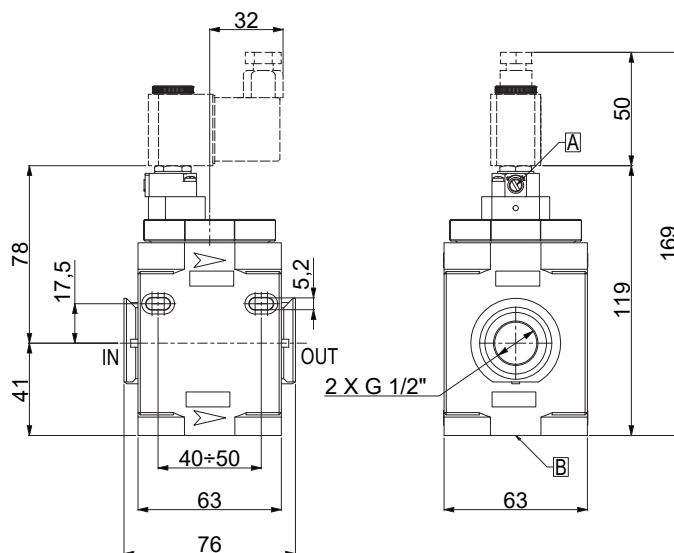
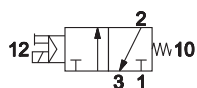
G3/8



A = Manual override  
B = Exhaust G1/4

## 2 | HZT2S15G

G1/2



A = Manual override  
B = Exhaust G1/4

### Coils for shut-off valves

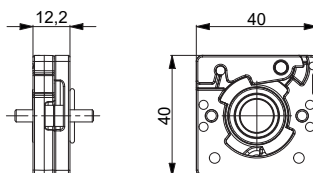
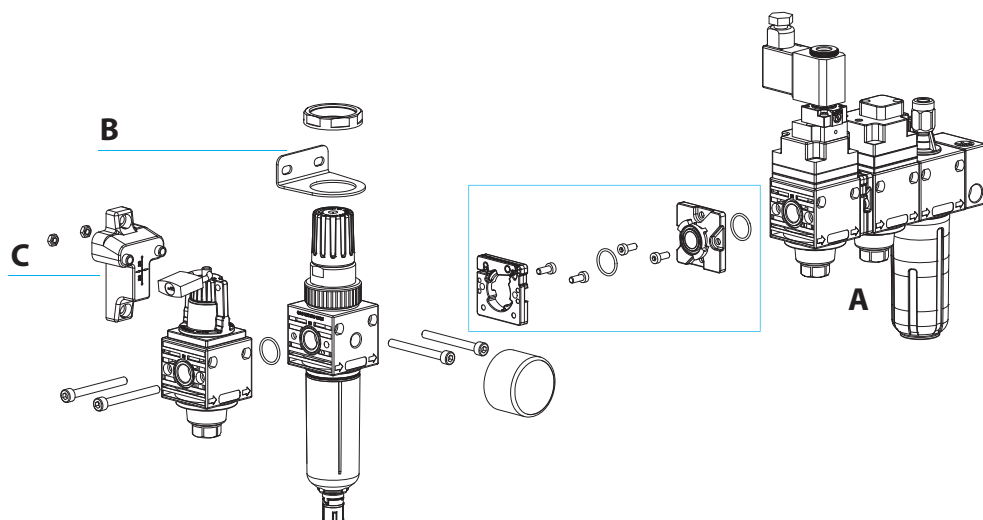


#### U1

- DA-0050 12 V DC
- DA-0051 24 V DC
- DA-0106 24 V AC/50-60 Hz
- DA-0108 110 V AC/50-60 Hz
- DA-0124 230 V AC/50-60 Hz

## Accessories

SIZE 0

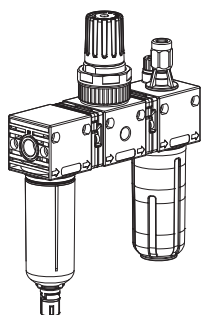


**A - HZT0Z200**

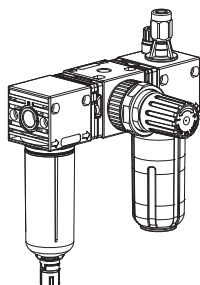
Assembly kit

It can be used for all kinds of combinations (including regulator manifolds). Possibility to orientate the components by 90°.

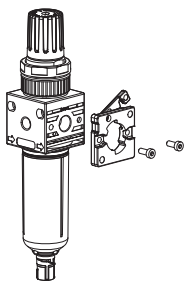
STANDARD POSITION



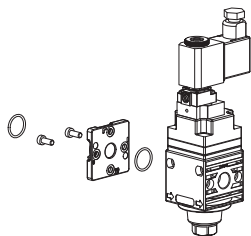
POSITION AT 90°



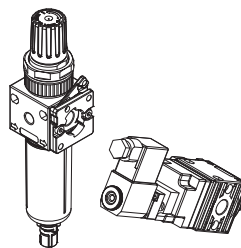
### ASSEMBLY INSTRUCTIONS



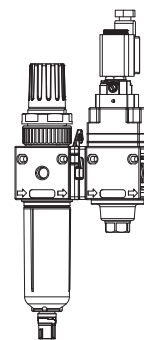
**1.** Assemble the left side of the kit (on regulators and filter-regulators the fixing nuts are always included on the body)



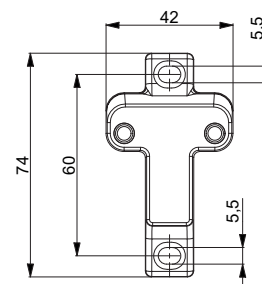
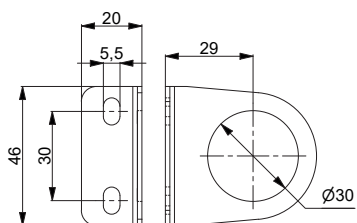
**2.** Remove temporarily the covers  
**3.** Replace the nuts to the reinforce element  
**4.** Mount the right side of the kit



**5.** Rotate one of the two units to enable the fixing  
**6.** Put the unit in the correct position



**7.** Hook the safety pin

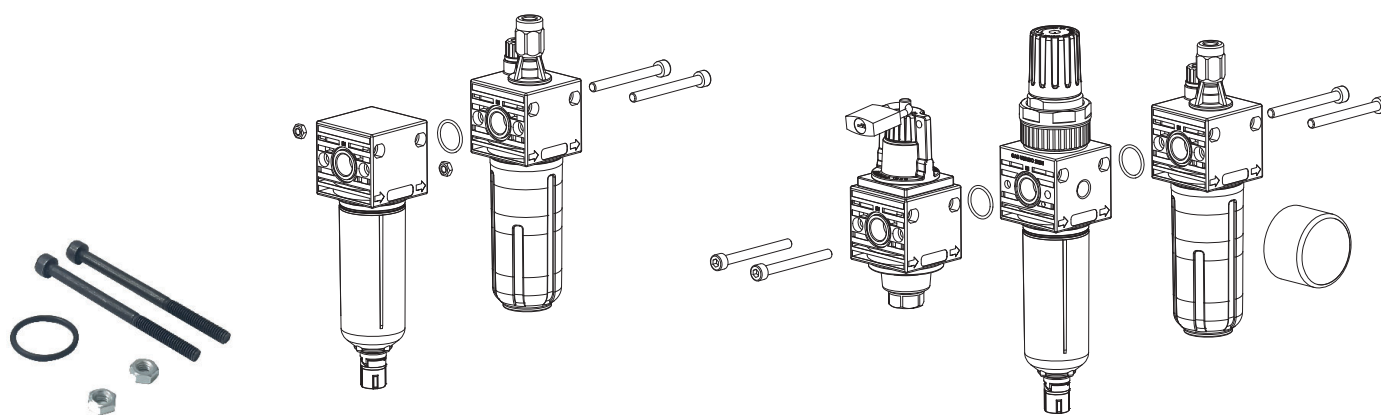


**B - HZT0Z310**

Wall fixing bracket

**C - HZT0Z210**

"T" bracket assembly kit



**HZT0Z230**

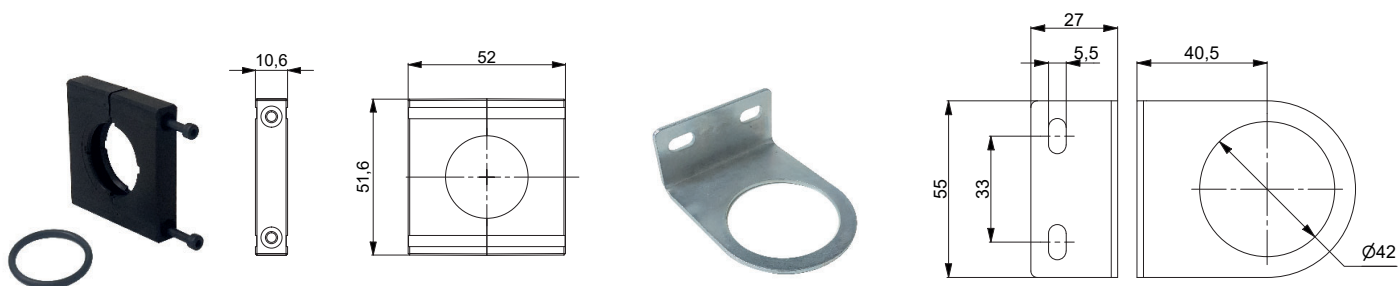
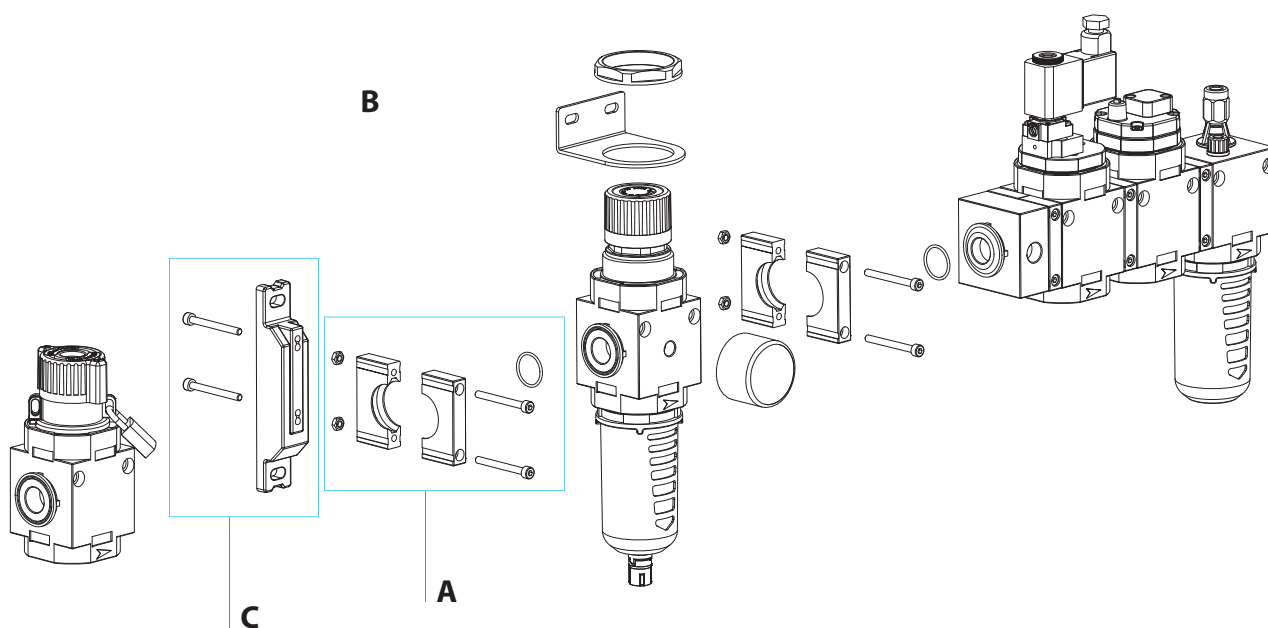
Assembly kit:

2-element combinations (FR+L, F+L, V3+FR)

3-element combinations (F+R+L, V3+FR+L, F+L+MF), 2 kits needed

## Accessories

SIZE 1

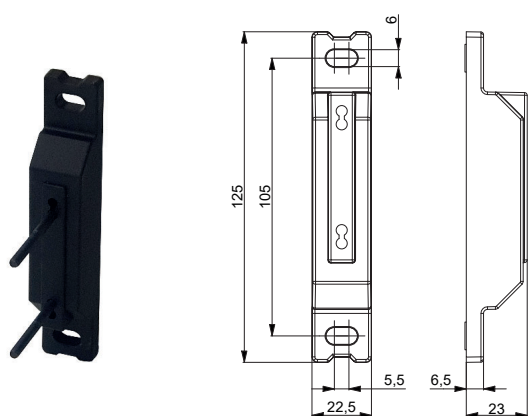


**A - H-ZT1Z200**

Assembly kit

**B - H-ZT1Z310**

Wall fixing bracket

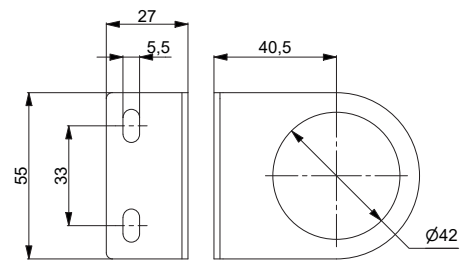
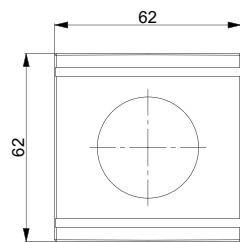
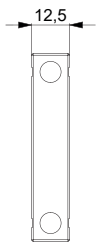
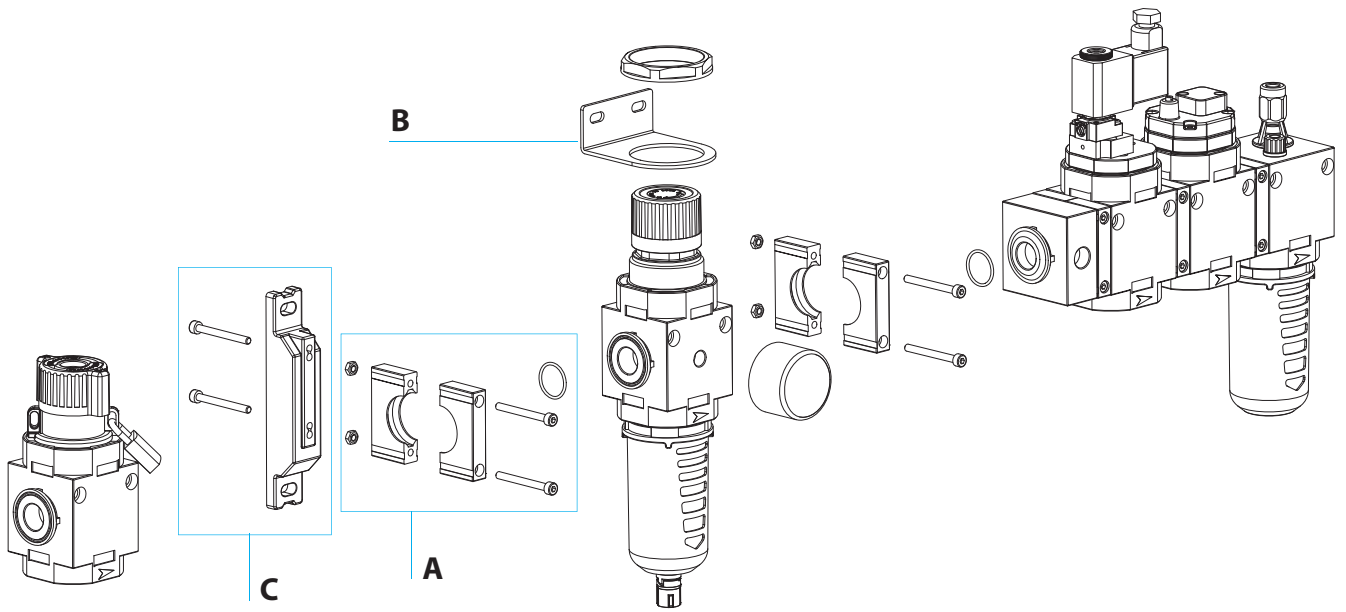


**C - H-ZT1Z210**

"T" bracket assembly kit

# Accessories

SIZE 2

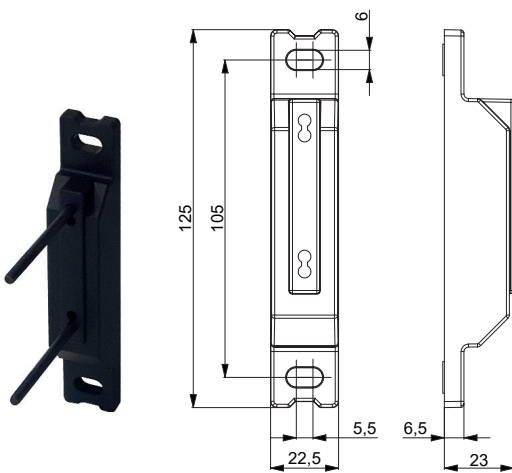


**A - HZT2Z200**

Assembly kit

**B - HZT2Z310**

Wall fixing bracket

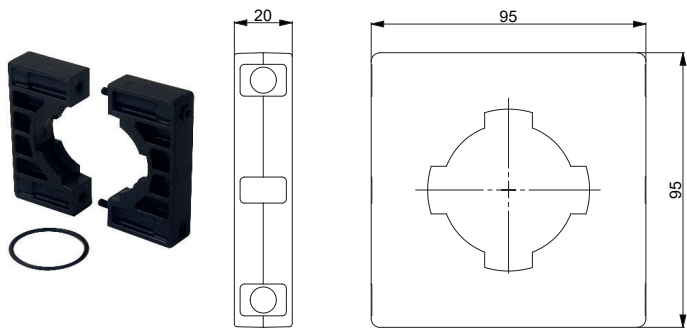
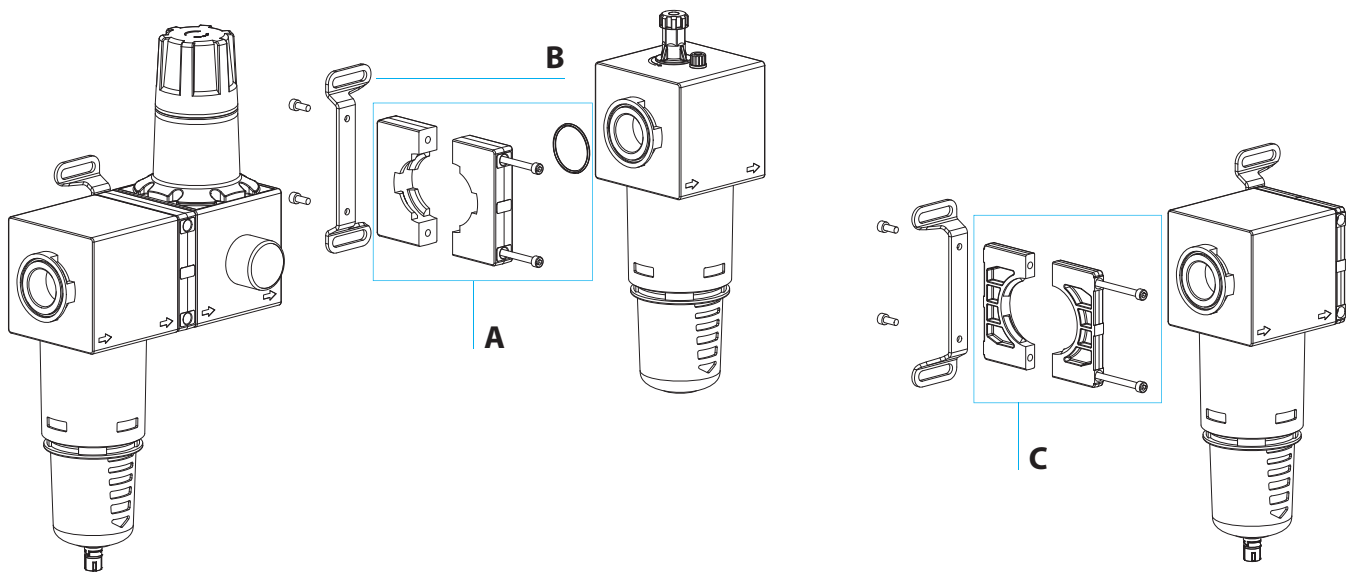


**C - HZT2Z210**

"T" bracket assembly kit

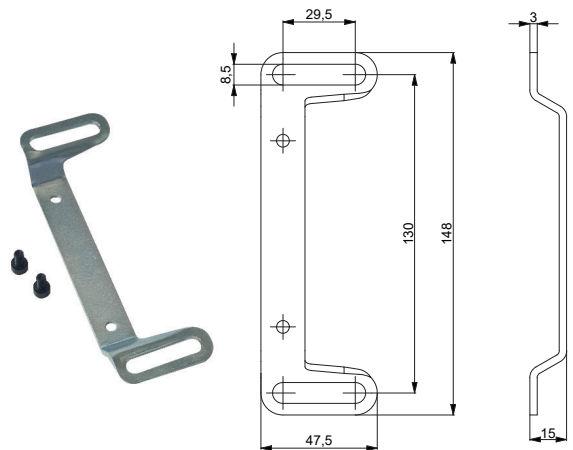
# Accessories

SIZE 3



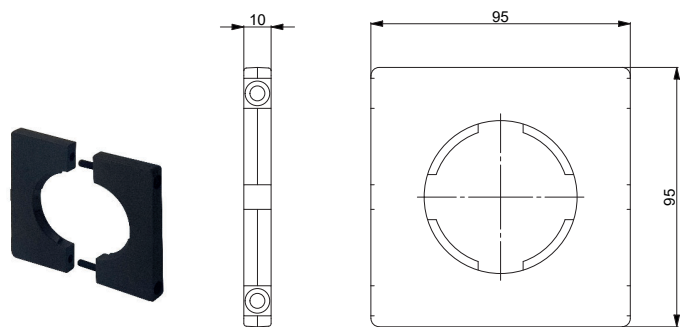
**A - H-ZT3Z200**

Assembly kit



**B - H-ZT3Z210**

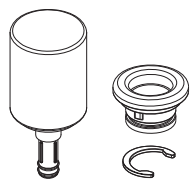
Wall fixing bracket



**C - H-ZT3Z230**

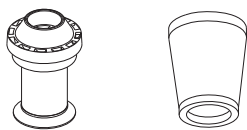
Side fixing bracket

## Spare parts for filter (F) and filter regulator (FR)



**AUTOMATIC DRAIN**

Size 0 - 1 - 2 - 3  
HZT7Z400



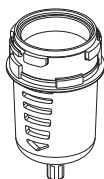
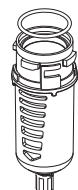
**FILTER ELEMENT**

Size 0  
HZT0Z660 5 µm  
HZT0Z671 0,01 µm  
Size 1  
HZT1Z660 5 µm  
HZT1Z671 0,01 µm  
Size 2  
HZT2Z660 5 µm  
HZT2Z671 0,01 µm



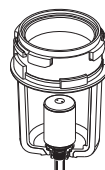
**ACTIVE CARBON FILTER**

Size 0  
HZT0Z674  
Size 1  
HZT1Z674  
Size 2  
HZT2Z674



**BOWL WITH SEMI-AUTOMATIC DRAIN**

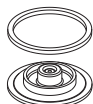
Size 0  
HZT0Z600SS  
Size 1  
HZT1Z600SS  
Size 2  
HZT2Z600SS  
Size 3  
HZT3Z600SS



**BOWL WITH AUTOMATIC DRAIN**

Size 0  
HZT0Z600SA  
Size 1  
HZT1Z600SA  
Size 2  
HZT2Z600SA  
Size 3  
HZT3Z600SA

## Spare parts for regulator (R) and filter regulator (FR)



**DIAPHRAGM KIT WITH RELIEVING**

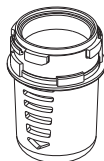
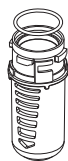
Size 0 HZT0Z610  
Size 1 HZT1Z610  
Size 2 HZT2Z610



**REGULATOR SPRING**

Size 0 Pressure adjustment  
HZ0Z652 0 ÷ 2 bar  
HZ0Z654 0 ÷ 4 bar  
HZ0Z658 0 ÷ 8 bar  
HZ0Z6512 0 ÷ 12 bar  
Size 1  
HZ1Z654 0 ÷ 4 bar  
HZ1Z658 0 ÷ 8 bar  
HZ1Z6512 0 ÷ 12 bar  
Size 2  
HZ2Z654 0 ÷ 4 bar  
HZ2Z658 0 ÷ 8 bar  
HZ2Z6512 0 ÷ 12 bar

## Spare parts for lubricator (L)



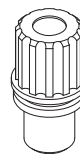
**BOWL**

Size 0  
HZT0Z601  
Size 1  
HZT1Z601  
Size 2  
HZT2Z601  
Size 3  
HZT3Z601



**TRANSPARENT DOME**

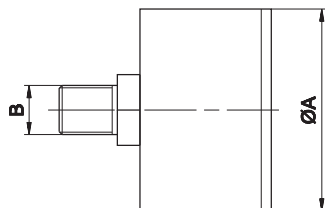
Size 0 - 1  
HZT1Z470  
Size 2 - 3  
HZT2Z470



**OIL CAP**

Size 0 - 1 - 2 - 3  
HZT7Z470

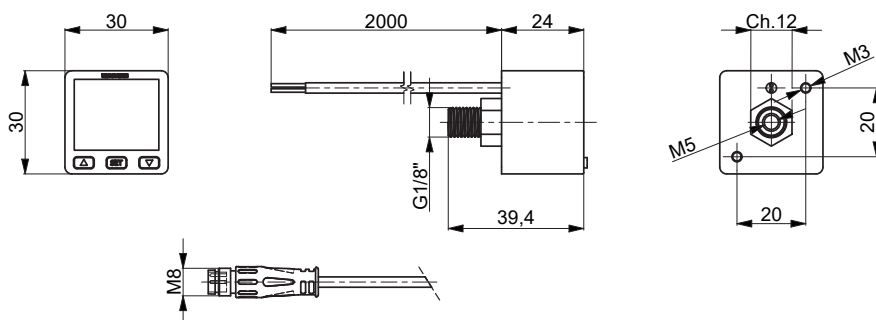
## Gauges and pressure switches



Part No.	Ø A	Scale		connection - B
		bar	MPa	
HZ9P400318	40	0 - 2,5	0 - 0,25	R1/8
HZ9P400618	40	0 - 6	0 - 0,6	R1/8
HZ9P401018	40	0 - 10	0 - 1	R1/8
HZ9P500314	50	0 - 2,5	0 - 0,25	R1/4
HZ9P500614	50	0 - 6	0 - 0,6	R1/4
HZ9P501014	50	0 - 10	0 - 1	R1/4
HZ9P630314	63	0 - 2,5	0 - 0,25	R1/4
HZ9P630614	63	0 - 6	0 - 0,6	R1/4
HZ9P631014	63	0 - 10	0 - 1	R1/4

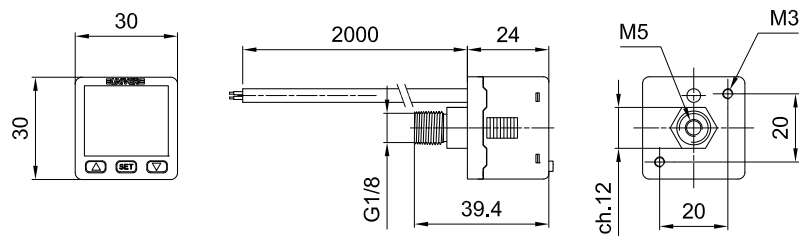
### HZ9P...

Round pressure gauge



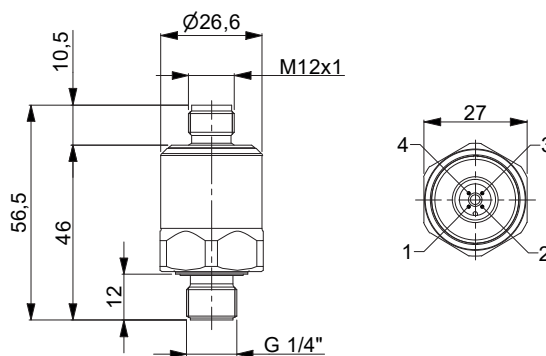
### HZ9N

Digital pressure switch



### HZ9NP50

IP65 digital pressure switch with connector



Pressure transducer available upon request





## UNIVER S.p.A.

### Headquarters

20128 **Milano**  
Via Eraclito, 31  
Tel. +39 02 25298.1  
Fax +39 02 2575254  
info@univer-group.com  
www.univer-group.com

## UNIVER SERVICE S.r.l.

### Headquarters

20128 **Milano**  
Via Empedocle, 20  
Tel. +39 02 25298.1  
Fax +39 02 25298370  
universervice@universervice.it  
www.universervice.it

### Branch offices

#### LOMBARDIA

20128 - **Milano**  
Via Empedocle, 20  
Tel. +39 02 25298.1  
Fax +39 02 25298370  
milano@universervice.it

#### PIEMONTE/LIGURIA/VALLE D'AOSTA

10071 Borgaro Torinese **Torino**  
Via Veneto, 18  
Tel. +39 011 4501871  
Fax +39 011 4502898  
torino@universervice.it

#### VENETO/FRIULI VENEZIA-GIULIA TRENTINO-ALTO ADIGE

30030 Vigonovo **Venezia**  
Via Prima strada 16/A - Loc. Galta  
Tel. +39 049 9834140  
Fax +39 049 9833972  
vigonovo@universervice.it

#### EMILIA ROMAGNA/CENTRO-SUD

40069 Zola Predosa **Bologna**  
Via Balzani, 5  
Tel. +39 051 753907  
Fax +39 051 6184751  
bologna@universervice.it

#### UNIVER DO BRASIL Ltda

**BRASILE** - 13474-764  
**Americana São Paulo**  
Rua do Polyester, 29  
Distrito Industrial Abdo Najar  
Tel. +55 19 3113-9400  
atendimento@univer.com.br

#### UNIVER CHINA

**CINA** - Shanghai  
399 Fu Te North Road,  
Free Zone, Pudong  
Tel. +86 21 58467180  
Fax +86 21 58467180  
info@univer-china.com

#### UNIVER FRANCE S.a.s.

**FRANCIA** - 68000  
**Colmar**  
1, rue Denis Papin  
Tel. +33 03 89210900  
Fax +33 03 89216850  
info@univer-france.fr

#### UNIVER G.m.b.H.

**GERMANIA** - D-65428  
**Rüsselsheim**  
Eisenstraße 51  
Tel. +49 6142 40832 0  
Fax +49 6142 40832 90  
info@univer-gmbh.de

#### UNIVER NORTH AMERICA

**USA** - 48083  
**Troy - Michigan**  
1904 Woodslee DR  
Tel. +1 248 299 0525  
Fax +1 248 299 0528  
info@univer-group.us

#### UNIVER POLSKA Sp. z o.o.

**POLONIA** - 25-663  
**Kielce**  
ul. K. Olszewskiego 21E  
Tel. +48 41 278 72 53  
Fax +48 41 278 72 54  
univer@univer-group.pl

#### UNIVER S.L.

**SPAGNA** - 08210  
Barbera Del Valles **Barcelona**  
Ronda Industria, 26 - 28  
Tel. +34 93 7297360  
Fax +34 93 7297380  
univer@univerweb.com

#### Distributors worldwide:

Get in touch with UNIVER Sales Department  
or visit our website [www.univer-group.com](http://www.univer-group.com)



[www.univer-group.com](http://www.univer-group.com)