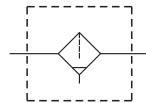


MAF200 series

AIR UNIT (FILTER)



Symbol

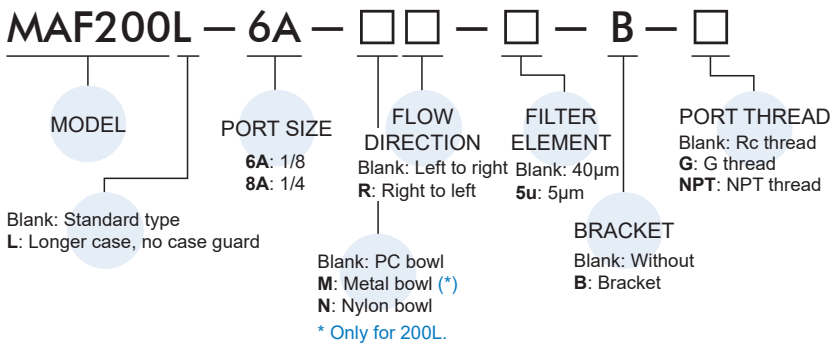


Specification

Model	MAF200	
Bore No.	6A	8A
Port size	1/8	1/4
Medium	Air	
Operating pressure range (*)	0.05~1 MPa	
Proof pressure	1.5 MPa	
Ambient temperature	- 5~+60°C (No freezing)	
Filter element	Standard: 40µm, Option: 5µm	
Drain capacity	9.5 cm ³ , 25 cm ³ (MAF200L)	
Weight	187 g, 155 g (MAF200L)	

* Standard unit contains semi-auto-drain function when operating pressure below 0.05 MPa.

Order example



Flow feature

