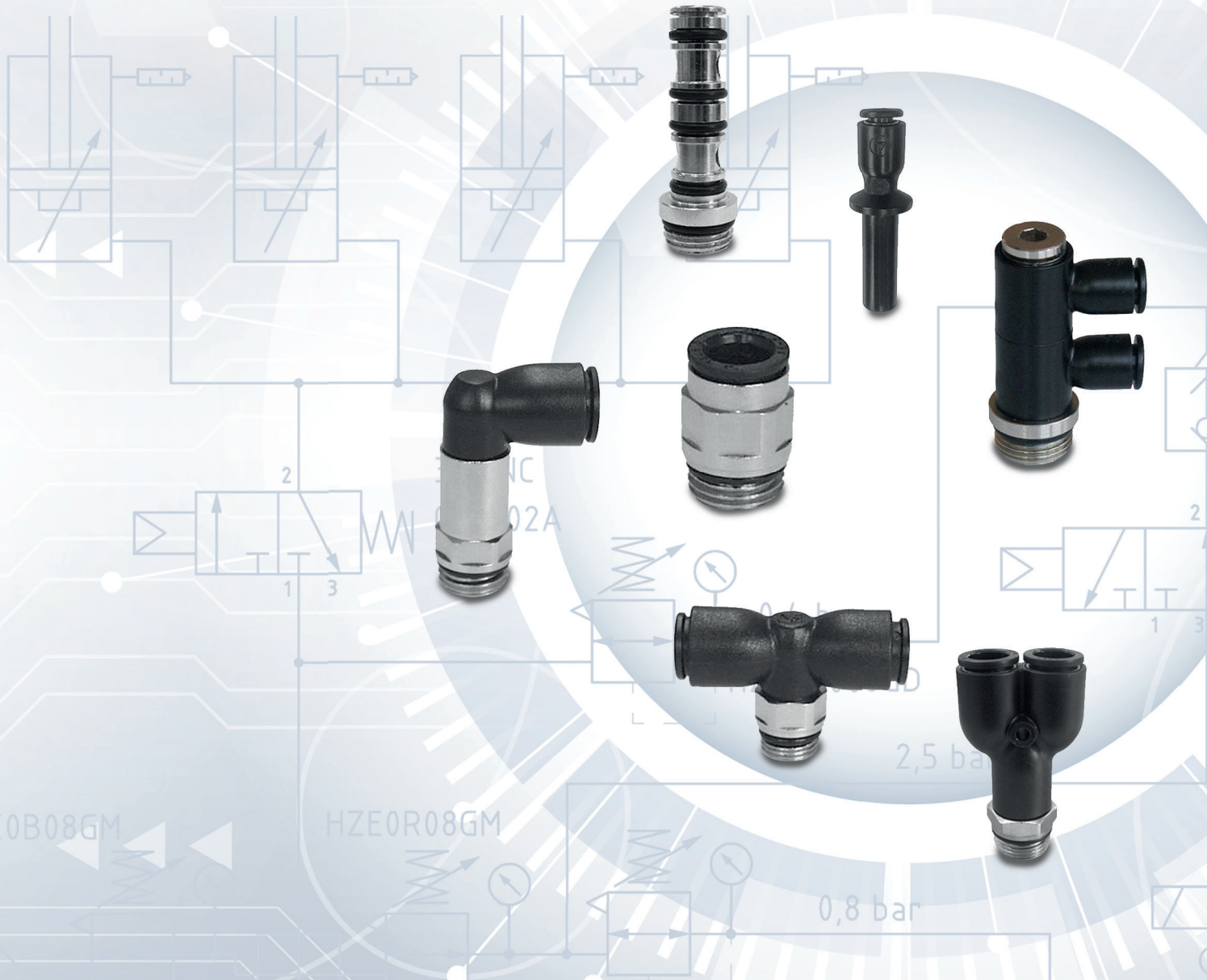


Technopolymer Push-In Fittings **HT**



HT

Technopolymer Push-In Fittings

Push-in fittings HT series are the right product for anyone looking for excellent performances, small sizes and extreme lightness thanks to the plastic material they are made of.

These push-in fittings for compressed air feature a hose coupling system with a stainless steel ring as well as a special thread with O-ring that guarantees the minimum size of the external hexagon wrench and a tight grip on imperfect threaded seats.

Due to their compact size and high performance, they are ideal for all kinds of industrial pneumatic applications.



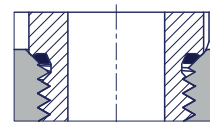
CHARACTERISTICS

Temperature	-10 ÷ 80 °C
Fluid	compressed air, vacuum
Working pressure	-0,99 ÷ 10 bar
Application fields	pneumatic circuits
Recommended hoses	polyamide PA 10.12, polyurethane Sh.A98 co-polyurethane Sh.55D
Body	technopolymer
Fixing elements	nickel-plated brass with O-ring in NBR for parallel thread version (standard)
Clamp	stainless steel
Release ring	technopolymer

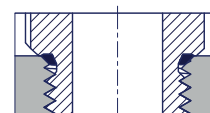
CHARACTERISTICS CONSTRUCTIVE

The O-RING sealing system that characterises the HT series fittings ensures the minimum hindrance of the hexagonal key and grants sure applications on imperfect threaded seats with:

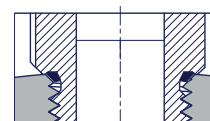
1. Big invitation chamfer of the female thread



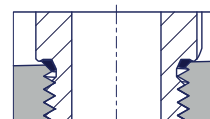
2. Small invitation chamfer of the female thread



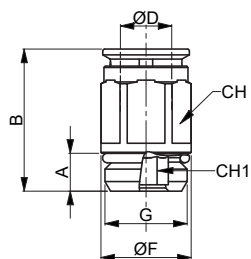
3. Thread on curved surface



4. Thread not perpendicular of the substructure

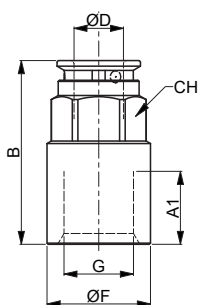


HT04 | Straight parallel male



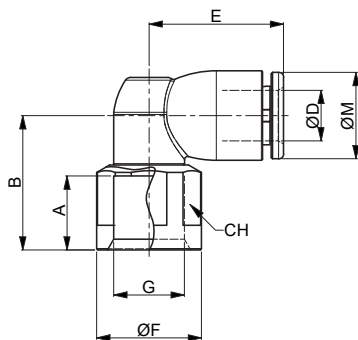
Part No.	A	B	CH	CH1	ØD	ØF	G
HT0404M5	4	20	9	2,5	4	9,9	M5
HT0404M7	5	19	9	2,5	4	9,9	M7x1
HT040418	5	17	10	3	4	11	G1/8
HT040414	6	17	10	3	4	14	G1/4
HT0406M5	4	22	11	2,5	6	12	M5
HT0406M7	5	21	11	3	6	12	M7x1
HT040618	5	19	11	4	6	12	G1/8
HT040614	6	18	11	4	6	14	G1/4
HT0408M10	5	23	13	5	8	15	M10x1
HT040818	5	23	13	5	8	14	G1/8
HT040814	6	22	13	6	8	14	G1/4
HT040838	8	21	13	6	8	18	G3/8
HT041014	6	27	16	7	10	17	G1/4
HT041038	8	26	16	8	10	18	G3/8
HT041012	9	25	16	8	10	23	G1/2
HT041214	6	30	19	7	12	21	G1/4
HT041238	8	30	19	9	12	21	G3/8
HT041212	9	30	19	10	12	22	G1/2

HT07 | Straight female



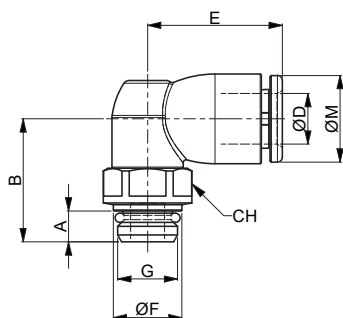
Part No.	A1	B	CH	ØD	ØF	G
HT070418	10	24	10	4	13	G1/8
HT070414	12	26	10	4	17	G1/4
HT070618	10	26	12	6	13	G1/8
HT070614	12	28	12	6	17	G1/4
HT070818	10	27	14	8	15	G1/8
HT070814	12	29	14	8	17	G1/4
HT070838	13	30	14	8	21	G3/8
HT071014	12	30	16	10	17	G1/4
HT071038	13	31	16	10	21	G3/8

HT08 | Swivel elbow female



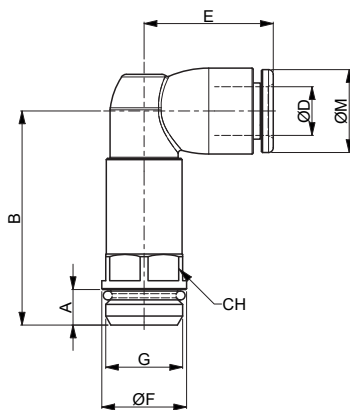
Part No.	A	B	CH	ØD	E	ØF	G	ØM
HT080418	10	18	12	4	16	13	G1/8	10
HT080414	12	20	16	4	16	17	G1/4	10
HT080618	10	19	12	6	18,5	13	G1/8	12,6
HT080614	12	21	16	6	18,5	17	G1/4	12,6
HT080818	10	20	12	8	20,5	13	G1/8	14,5
HT080814	12	22	16	8	20,5	17	G1/4	14,5
HT080838	13	23	19	8	20,5	21	G3/8	14,5
HT081014	12	25	16	10	26	17	G1/4	16,3
HT081038	13	26	19	10	26	21	G3/8	16,3

HT10B | Low elbow



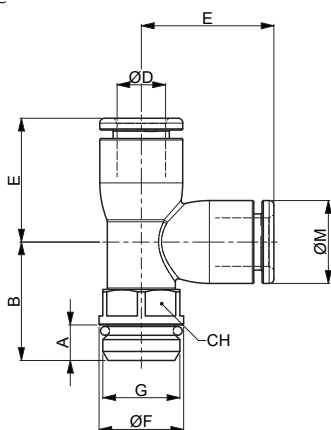
Part No.	A	B	CH	ØD	E	ØF	G	ØM
HT10B04M5	4	14	8	4	16	9,9	M5	10
HT10B04M7	5	15,5	9	4	16	9,9	M7x1	10
HT10B0418	5	16,5	10	4	16	11	G1/8	10
HT10B0414	6	18	10	4	16	14,3	G1/4	10
HT10B06M5	4	15	9	6	18,5	9,9	M5	12,6
HT10B06M7	5	16,5	9	6	18,5	9,9	M7x1	12,6
HT10B0618	5	17	11	6	18,5	11,7	G1/8	12,6
HT10B0614	6	19	11	6	18,5	14,3	G1/4	12,6
HT10B0818	5	20	13	8	20,5	14,3	G1/8	14,5
HT10B0814	6	20	13	8	20,5	14,3	G1/4	14,5
HT10B0838	8	23	13	8	20,5	18	G3/8	14,5
HT10B0812	9	24,3	13	8	20,5	22	G1/2	14,5
HT10B1014	6	23	16	10	26	17	G1/4	16,3
HT10B1038	8	25,5	18	10	26	20	G3/8	16,3
HT10B1012	9	27	22	10	26	24	G1/2	16,3
HT10B1214	6	25,5	19	12	29,5	21	G1/4	19
HT10B1238	8	27,5	19	12	29,5	21	G3/8	19
HT10B1212	9	29,5	22	12	29,5	24	G1/2	19

HT12B | HA12B Extended swivel low elbow parallel male



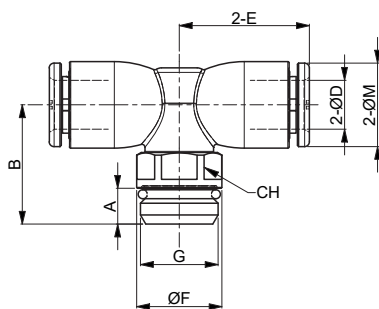
Part No.	A	B	CH	ØD	E	ØF	G	ØM
HT12B0418	5	27	10	4	16	11	G1/8	10
HT12B0414	6	29	10	4	16	14,3	G1/4	10
HT12B0618	5	31	11	6	18,5	11,7	G1/8	12,6
HT12B0614	6	33	11	6	18,5	14,3	G1/4	12,6
HT12B0818	5	35,5	13	8	20,5	14,3	G1/8	14,5
HT12B0814	6	36	13	8	20,5	14,3	G1/4	14,5
HT12B0838	8	39	13	8	20,5	18	G3/8	14,5

HT14B | Low lateral Tee male



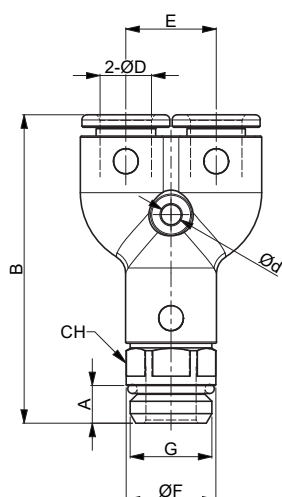
Part No.	A	B	CH	ØD	E	ØF	G	ØM
HT14B04M5	4	14	8	4	16	9,9	M5	10
HT14B04M7	5	15,5	9	4	16	9,9	M7x1	10
HT14B0418	5	16,5	10	4	16	11	G1/8	10
HT14B0414	6	18	10	4	16	14,3	G1/4	10
HT14B06M5	4	15	9	6	18,5	9,9	M5	12,6
HT14B06M7	5	16,5	9	6	18,5	9,9	M7x1	12,6
HT14B0618	5	17	11	6	18,5	11,7	G1/8	12,6
HT14B0614	6	19	11	6	18,5	14,3	G1/4	12,6
HT14B0818	5	20	13	8	20,5	14,3	G1/8	14,5
HT14B0814	6	20	13	8	20,5	14,3	G1/4	14,5
HT14B0838	8	23	13	8	20,5	18	G3/8	14,5
HT14B1014	6	23	16	10	26	17	G1/4	16,3
HT14B1038	8	25,5	18	10	26	20	G3/8	16,3
HT14B1012	9	27	22	10	26	24	G1/2	16,3
HT14B1214	6	25,5	19	12	29,5	21	G1/4	19
HT14B1238	8	27,5	19	12	29,5	21	G3/8	19
HT14B1212	9	29,5	22	12	29,5	24	G1/2	19

HT16B | Low central Tee male



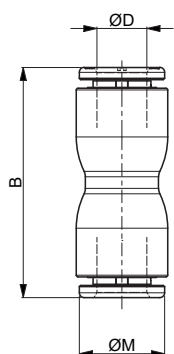
Part No.	A	B	CH	ØD	E	ØF	G	ØM
HT16B04M5	4	14	8	4	16	9,9	M5	10
HT16B04M7	5	15,5	9	4	16	9,9	M7x1	10
HT16B0418	5	16,5	10	4	16	11	G1/8	10
HT16B0414	6	18	10	4	16	14,3	G1/4	10
HT16B06M5	4	15	9	6	18,5	9,9	M5	12,6
HT16B06M7	5	16,5	9	6	18,5	9,9	M7x1	12,6
HT16B0618	5	17	11	6	18,5	11,7	G1/8	12,6
HT16B0614	6	19	11	6	18,5	14,3	G1/4	12,6
HT16B0818	5	20	13	8	20,5	14,3	G1/8	14,5
HT16B0814	6	20	13	8	20,5	14,3	G1/4	14,5
HT16B0838	8	23	13	8	20,5	18	G3/8	14,5
HT16B1014	6	23	16	10	26	17	G1/4	16,3
HT16B1038	8	25,5	18	10	26	20	G3/8	16,3
HT16B1012	9	27	22	10	26	24	G1/2	16,3
HT16B1214	6	25,5	19	12	29,5	21	G1/4	19
HT16B1238	8	27,5	19	12	29,5	21	G3/8	19
HT16B1212	9	29,5	22	12	29,5	24	G1/2	19

HT18 | Y parallel male



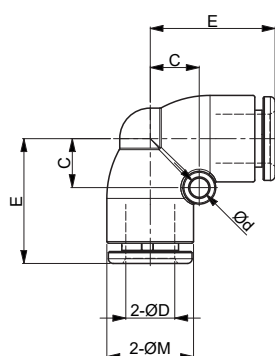
Part No.	A	B	CH	ØD	Ød	E	ØF	G
HT1804M5	4	37	8	4	9,9	9,2	9,9	M5
HT180418	5	39	10	4	11	9,2	11	G1/8
HT180414	6	41	10	4	14	9,2	14,3	G1/4
HT180618	5	43	11	6	12	9,2	11,7	G1/8
HT180614	6	45	11	6	14	11	14,3	G1/4
HT180818	5	47	13	8	11	15	11	G1/8
HT180814	6	49	13	8	14	15	14,3	G1/4
HT180838	8	51	13	8	18	15	18	G3/8
HT181014	6	55	16	10	17	16	17	G1/4
HT181038	8	58	18	10	20	16	20	G3/8
HT181012	9	59	22	10	24	16	24	G1/2
HT181238	8	64	19	12	21	19	21	G3/8
HT181212	9	66	22	12	24	19	24	G1/2

HT19 | Intermediate straight



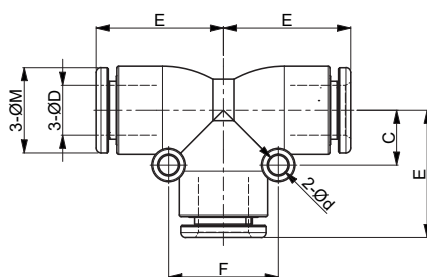
Part No.	B	ØD	ØM
HT190400	26,5	4	9,9
HT190600	34,5	6	14
HT190800	36,5	8	16,3
HT191000	39	10	16,3
HT191200	45	12	19

HT20 | Intermediate elbow



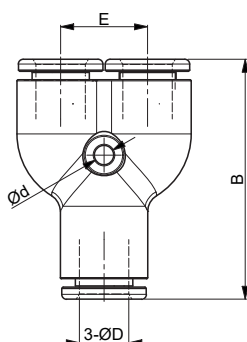
Part No.	C	ØD	Ød	E	ØM
HT200400	5,7	4	2,7	15,5	9,9
HT200600	7,2	6	3,2	18	12,6
HT200800	8,2	8	3,2	20	14,5
HT201000	10	10	4,2	26	16,3
HT201200	11	12	4,2	29,5	19

HT21 | Intermediate lateral Tee



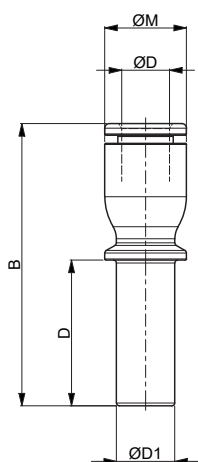
Part No.	C	ØD	Ød	E	F	ØM
HT210400	6	4	2,7	15,5	12	9,9
HT210600	8	6	3,2	18	16	12,6
HT210800	9	8	3,2	20	18	14,5
HT211000	10	10	4,2	26	20	16,3
HT211200	11	12	4,2	29,5	22	19

HT23 | Intermediate Y connector



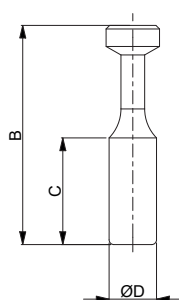
Part No.	B	ØD	Ød	E
HT230400	31,5	4	3,2	9,2
HT230600	35,5	6	3,2	11,3
HT230800	39,5	8	3,2	14,5
HT231000	46	10	3,2	15,5
HT231200	52	12	3,2	18,5

HT24 | Reducing stem



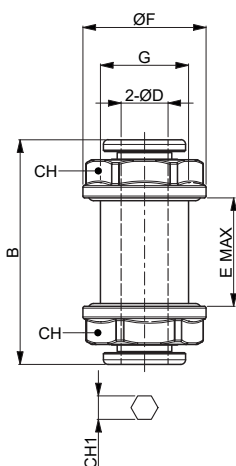
Part No.	B	D	ØD	ØD1	ØM
HT240406	44	22	4	6	11
HT240408	46	25	4	8	14
HT240608	48	25	6	8	14
HT240610	45	25	6	10	14
HT240810	45	25	8	10	14
HT240812	47	27	8	12	17
HT241012	48	27	10	12	17

HT26 | Plug



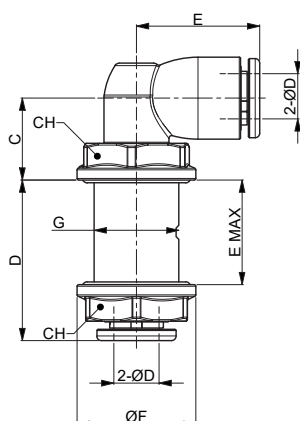
Part No.	B	C	ØD
HT260400	28	15,5	4
HT260600	33	16	6
HT260800	37	18,5	8
HT261000	42,5	21	10
HT261200	43	23	12

HT33 | Bulkhead connector



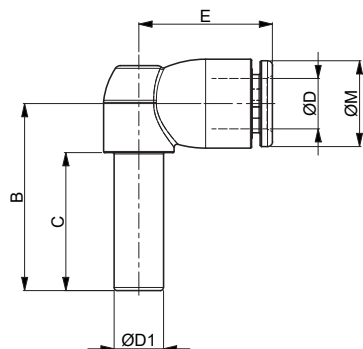
Part No.	B	CH	CH1	ØD	E	ØF	G
HT330004	28	12	3,5	4	10	16	M10X1
HT330006	32	17	4	6	13	20	M14X1
HT330008	37	18	6	8	17	21	M15X1

HT35 | Elbow bulkhead connector



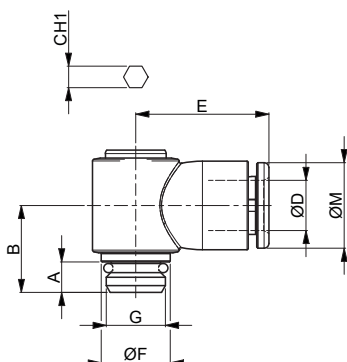
Part No.	C	CH	D	ØD	E	ØF	G
HT350004	13	12	19	4	10	16	M10X1
HT350006	13	17	23	6	13	20	M14X1
HT350008	14	18	27	8	17	21	M15X1

HT38 | Stem elbow



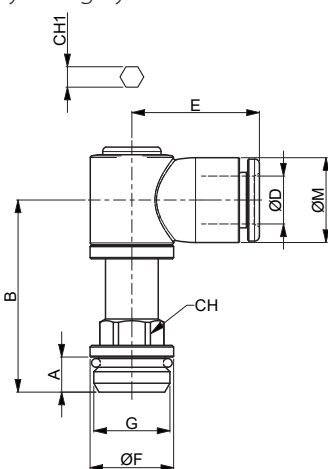
Part No.	C	ØD	E	B	ØM	ØD1
HT380400	16	4	16	22	10	4
HT380600	20	6	18,5	27	12,6	6
HT380800	22	8	20,5	30	14,5	8
HT381000	25	10	26	36	16	10
HT381200	27	12	30	40	19	12

HT41 | Swivel banjo connector (parallel thread) with allen head



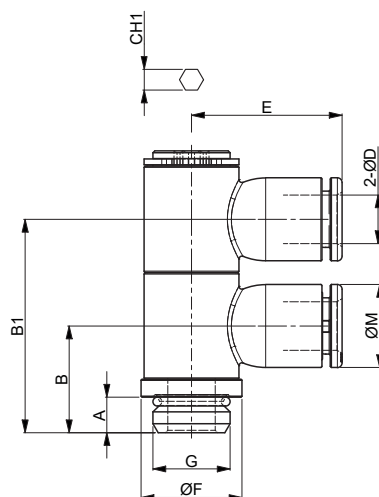
Part No.	A	B	CH1	ØD	E	ØF	G	ØM
HT4104M5	4	13,5	2,5	4	18,5	9,5	M5	9,8
HT410418	5	15	4	4	19	14,3	G1/8	10,3
HT410414	6	13,5	4	4	19	14,3	G1/4	10,3
HT410618	5	15	4	6	20	14,3	G1/8	12,6
HT410614	6	13,5	4	6	20	14,3	G1/4	12,6
HT410818	5	15	4	8	21	14,3	G1/8	14,5
HT410814	6	13,5	4	8	21	14,3	G1/4	14,5

HT41L | Swivel L-fitting allen key along cylinder



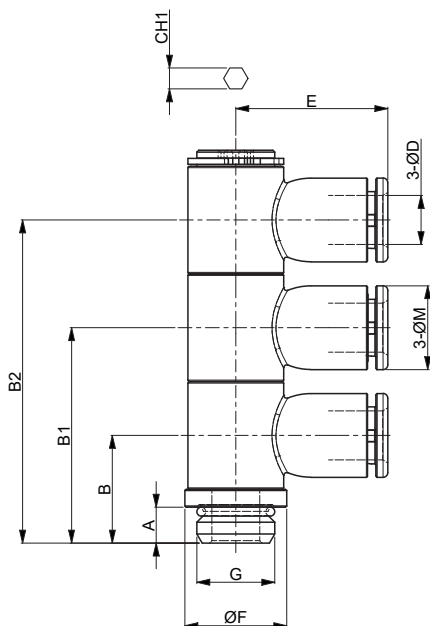
Part No.	A	B	CH	CH1	ØD	E	ØF	G	ØM
HT41L0418	5	30,5	10	4	4	19	14,3	G1/8	10,3
HT41L0414	6	32	10	4	4	19	14,3	G1/4	10,3
HT41L0618	5	30,5	10	4	6	20	14,3	G1/8	12,6
HT41L0614	6	32	10	4	6	20	14,3	G1/4	12,6
HT41L0818	5	30,5	10	4	8	21	14,3	G1/8	14,5
HT41L0814	6	32	10	4	8	21	14,3	G1/4	14,5

HT47 | Double banjo connector (parallel thread) with allen head



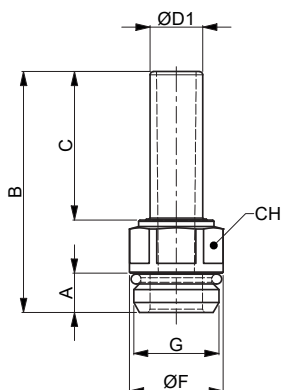
Part No.	A	B	C	C1	CH	ØD	ØF	G	ØM
HT470418C4	19,8	5	15,4	31,5	4	4	14	G1/8	9
HT470414C4	19,8	6	16,4	32,5	4	4	14,5	G1/4	9
HT470618C4	21,6	5	15,4	31,5	4	6	14	G1/8	12,2
HT470614C4	21,6	6	16,4	32,5	4	6	14,5	G1/4	12,2
HT470614C5	23,1	6	18	36	5	6	17	G1/4	12,1
HT470638C5	23,1	7,8	20	38	5	6	19	G3/8	12,2
HT470814C5	25,4	6	18	36	5	8	17	G1/4	14
HT470838C5	25,4	7,8	20	38	5	8	19	G3/8	14

HT48 | Triple banjo connector (parallel thread) with allen head



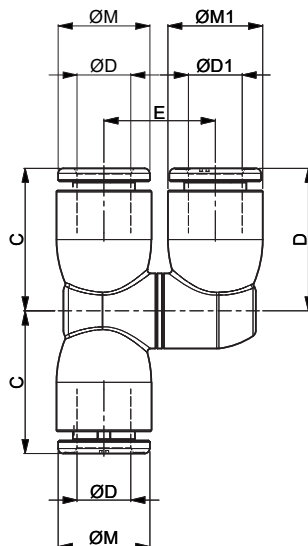
Part No.	A	B	B1	B2	CH1	ØD	E	ØF	G	ØM
HT480418C4	5	15,4	31,5	47,6	4	4	19,8	14	G1/8	9
HT480414C4	6	16,4	32,5	48,6	4	4	19,8	14,5	G1/4	9
HT480618C4	5	15,4	31,5	47,6	4	6	21,6	14	G1/8	12,2
HT480614C4	6	16,4	32,5	48,6	4	6	21,6	14,5	G1/4	12,2
HT480614C5	6	18	36	54	5	6	23,1	16	G1/4	12,2
HT480638C5	7,8	20	38	56	5	6	23,1	19	G3/8	12,2
HT480814C5	6	18	36	54	5	8	25,4	16	G1/4	14
HT480838C5	7,8	20	38	56	5	8	25,4	19	G3/8	14

HT51 | Parallel plug adapter



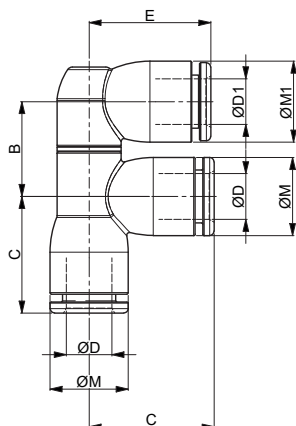
Part No.	A	B	C	CH	ØD1	ØF	G
HT510418	5	26	16	10	4	11	G1/8
HT510618	5	30,5	20	11	6	11	G1/8
HT510614	6	31,5	20	11	6	14,3	G1/4
HT510818	5	37	22	13	8	11	G1/8
HT510814	6	38	22	13	8	14,3	G1/4
HT510838	8	40	22	13	8	18	G3/8
HT511014	6	42	25	14	10	16	G1/4
HT511038	8	39	25	16	10	18	G3/8
HT511238	8	47	27	17	12	19	G3/8
HT511212	9	44	27	20	12	22	G1/2

HT60 | Swivel central T intermediate fitting



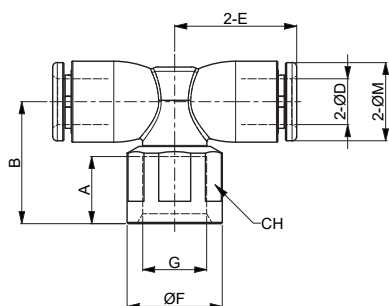
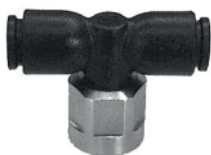
Part No.	C	D	ØD	ØD1	E	ØM	ØM1
HT600404	16	16	4	4	13	10	10
HT600406	16	18,5	4	6	14	10	12,6
HT600408	16	20,5	4	8	15	10	14,5
HT600604	18,5	16	6	4	14	12,6	10
HT600606	18,5	18,5	6	6	15	12,6	12,6
HT600608	18,5	20,5	6	8	16	12,6	14,5
HT600610	18,5	26	6	10	18	12,6	16,3
HT600804	20,5	16	8	4	15	14,5	10
HT600806	20,5	18,5	8	6	16	14,5	12,6
HT600808	20,5	20,5	8	8	17	14,5	14,5
HT600810	20,5	26	8	10	19	14,5	16,3
HT601006	26	18,5	10	6	18	16,3	12,6
HT601008	26	20,5	10	8	19	16,3	14,5
HT601010	26	26	10	10	22	16,3	16,3

HT61 | Swivel side T intermediate fitting



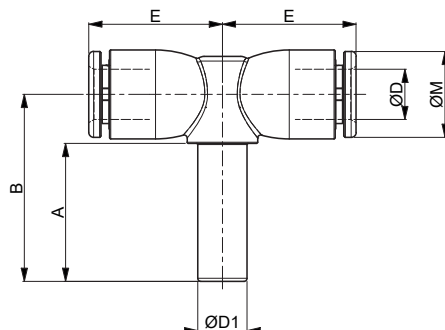
Part No.	B	C	ØD	ØD1	E	ØM	ØM1
HT610404	13	16	4	4	16	10	10
HT610406	14	16	4	6	18,5	10	12,6
HT610408	15	16	4	8	20,5	10	14,5
HT610604	14	18,5	6	4	16	12,6	10
HT610606	15	18,5	6	6	18,5	12,6	12,6
HT610608	16	18,5	6	8	20,5	12,6	14,5
HT610610	18	18,5	6	10	26	12,6	16,3
HT610804	15	20,5	8	4	16	14,5	10
HT610806	16	20,5	8	6	18,5	14,5	12,6
HT610808	17	20,5	8	8	20,5	14,5	14,5
HT610810	19	20,5	8	10	26	14,5	16,3
HT611006	18	26	10	6	18,5	16,3	12,6
HT611008	19	26	10	8	20,5	16,3	14,5
HT611010	22	26	10	10	26	16,3	16,3

HT62 | Swivel T female fitting



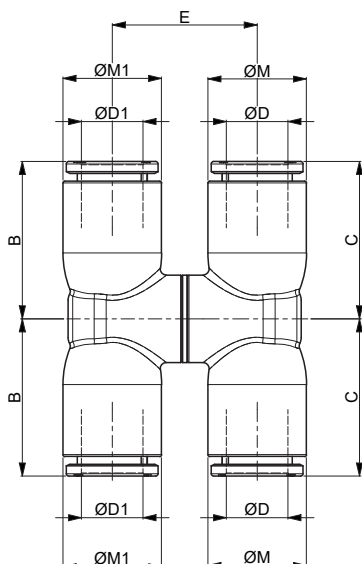
Part No.	A	B	CH	ØD	E	ØF	G	ØM
HT620418	10	18	12	4	16	13	G1/8	10
HT620414	12	20	16	4	16	17	G1/4	10
HT620618	10	19	12	6	18,5	13	G1/8	12,6
HT620614	12	21	16	6	18,5	17	G1/4	12,6
HT620818	10	20	12	8	20,5	13	G1/8	14,5
HT620814	12	22	16	8	20,5	17	G1/4	14,5
HT620838	13	23	19	8	20,5	21	G3/8	14,5
HT621014	12	25	16	10	26	17	G1/4	16,3
HT621038	13	26	19	10	26	21	G3/8	16,3

HT63 | Central T fitting



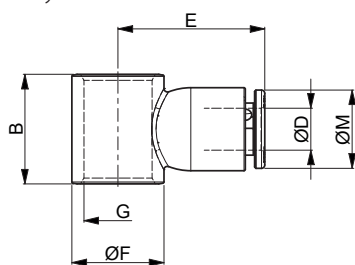
Part No.	A	B	ØD	ØD1	E	ØM
HT630404	16	22	4	4	16	10
HT630606	20	27	6	6	18,5	12,6
HT630808	22	30	8	8	20,5	14,5
HT631010	25	36	10	10	26	16
HT631212	27	40	12	12	30	19

HT64 | Swivel X intermediate fitting



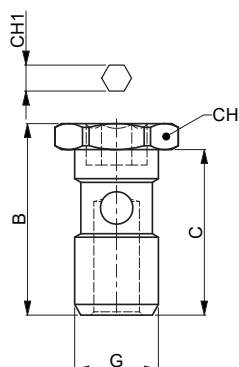
Part No.	B	C	ØD	ØD1	E	ØM	ØM1
HT640404	16	16	4	4	13	10	10
HT640604	16	18,5	6	4	14	12,6	10
HT640606	18,5	18,5	6	6	15	12,6	12,6
HT640804	16	20,5	8	4	15	14,5	10
HT640806	18,5	20,5	8	6	16	14,5	12,6
HT640808	20,5	20,5	8	8	17	14,5	14,5
HT641006	18,5	26	10	6	18	16,3	12,6
HT641008	20,5	26	10	8	19	16,3	14,5
HT641010	26	26	10	10	22	16	16

HT40 | Head for tie rod with allen key



Part No.	B	ØD	E	ØF	G	ØM
HT4004M5	10,5	4	18,5	9,5	M5	9,8
HT400418	15,5	4	19	14,3	G1/8	10,3
HT400414	17,5	4	20,5	17,3	G1/4	10,3
HT400618	15,5	6	20	14,3	G1/8	12,6
HT400614	17,5	6	21,5	17,3	G1/4	12,6
HT400818	15,5	8	21	14,3	G1/8	14,5
HT400814	17,5	8	22,5	17,3	G1/4	14,5

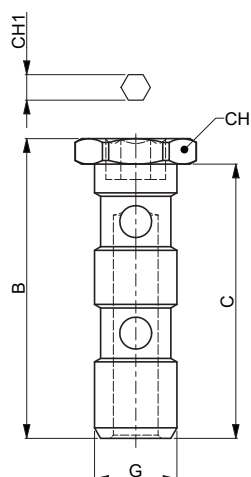
HT42 | 1-position tie-rod with allen key



Part No.	B	C	CH	CH1	G
HT4200M5	18,5	15	8	4	M5
HT420018	25,5	21,5	14	6	G1/8
HT420014	29,5	25,5	17	8	G1/4

To be used with the swivel L-head HT40

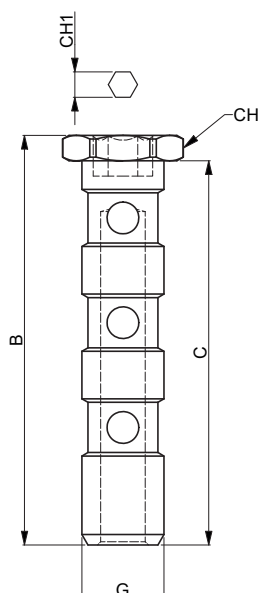
HT43 | 2-position tie-rod with allen key



Part No.	B	C	CH	CH1	G
HT4300M5	28,5	25	8	4	M5
HT430018	41	37	14	6	G1/8
HT430014	47	43	17	8	G1/4

To be used with the swivel L-head HT40

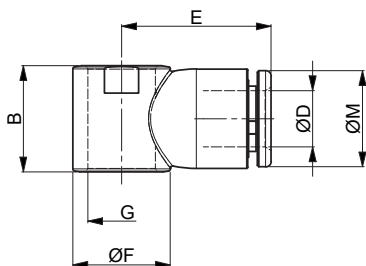
HT44 | 3-position tie-rod with allen key



Part No.	B	C	CH	CH1	G
HT440018	56,5	52,5	14	6	G1/8
HT440014	64,5	64,5	17	8	G1/4

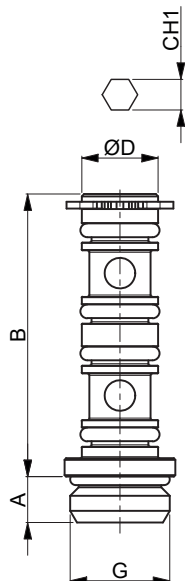
To be used with the swivel L-head HT40

HT50 | Swivel L-head for banjo connector



Part No.	B	ØD	E	ØF	G	ØM
HT501004	16,1	4	19,8	13,5	10	9
HT501006	16,1	6	21,6	13,5	10	12,2
HT501306	18	6	23,1	16	13	12,2
HT501308	18	8	25,4	16	13	14

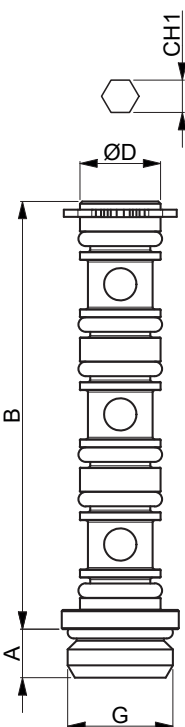
HT53 | 2-position banjo connector for swivel fitting



Part No.	A	B	CH1	ØD	G
HT531018	5	37	4	10	G1/8
HT531014	6	37	4	10	G1/4
HT531314	6	42	5	13	G1/4
HT531338	8	42	5	13	G3/8

To be used with the swivel L-head HT50

HT54 | 3-position banjo connector for swivel fitting



Part No.	A	B	CH1	ØD	G
HT541018	5	53	4	10	G1/8
HT541014	6	53	5	10	G1/4
HT541314	6	60	5	13	G1/4
HT541338	8	60	5	13	G3/8

To be used with the swivel L-head HT50



Industrial Automation

UNIVER S.p.A.

Headquarters

I - 20128 **Milano**
Via Eraclito, 31
Tel. +39 02 25298.1
Fax +39 02 2575254
info@univer-group.com
www.univer-group.com

UNIVER SERVICE S.r.l.

Headquarters

I - 20128 **Milano**
Via Empedocle, 20
Tel. +39 02 25298.1
Fax +39 02 25298370
universervice@universervice.it
www.universervice.it

Branch offices

LOMBARDIA

I - 20099 - Sesto San Giovanni **Milano**
Via G. di Vittorio, 307/20
Tel. +39 02 26261304
Fax +39 02 24300375
universervice@universervice.it

PIEMONTE/LIGURIA/VALLE D'AOSTA

I - 10071 Borgaro Torinese **Torino**
Via Veneto, 18
Tel. +39 011 4501871
Fax +39 011 4502898
torino@universervice.it

VENETO/FRIULI VENEZIA-GIULIA

TRENTINO-ALTO ADIGE

I - 30030 Vigonovo **Venezia**
Via Prima strada 16/A - Loc. Galta
Tel. +39 049 9834140
Fax +39 049 9833972
vigonovo@universervice.it

EMILIA ROMAGNA - CENTRO/SUD

I - 40069 Zola Predosa **Bologna**
Via Guido Rossa, 21
Tel. +39 051 753907
Fax +39 051 6184751
bologna@universervice.it

UNIVER DO BRASIL S/A

BRASILE - 13474-764
Americana São Paulo - SP
Rua do Polyester, 29
Distrito Industrial Abdo Najar
Tel. +55 19 3113-9400
Fax +55 19 3113-9405
atendimento@univer.com.br

UNIVER CHINA

CINA - Shanghai
399 Fu Te North Road,
Free Zone, Pudong
info@univer-china.com

UNIVER FRANCE S.a.s.

FRANCIA - 68000

Colmar

1, rue Denis Papin
Tel. +33 3 89210900
Fax +33 3 89216850
info@univer-france.fr

UNIVER G.m.b.H.

GERMANIA - D-65428

Rüsselsheim

Eisenstraße 51
Tel. +49 6142 408320
Fax +49 6142 4083290
info@univer-gmbh.de

UNIVER NORTH AMERICA

USA - 48312

Sterling Heights - Michigan

6620 Cobb Drive
Tel. +1 248 299 0525
Fax +1 248 299 0528
info@univer-group.us

UNIVER POLSKA Sp. z o.o.

POLONIA - 25-663

Kielce

ul. K. Olszewskiego 21E
Tel. +48 41 278 72 53
Fax +48 41 278 72 54
univer@univer-group.pl

UNIVER S.L.

SPAGNA - 08210

Barbera Del Valles Barcelona

Ronda Industria, 26 - 28
Tel. +34 93 7297360
Fax +34 93 7297380
univer@univerweb.com

Distributors worldwide:

Get in touch with UNIVER Sales Department
or visit our website www.univer-group.com



www.univer-group.com