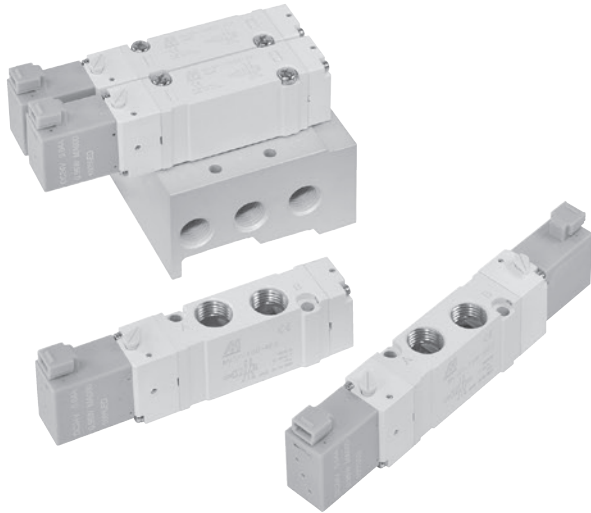


# MVSP-188 series

## SOLENOID VALVE



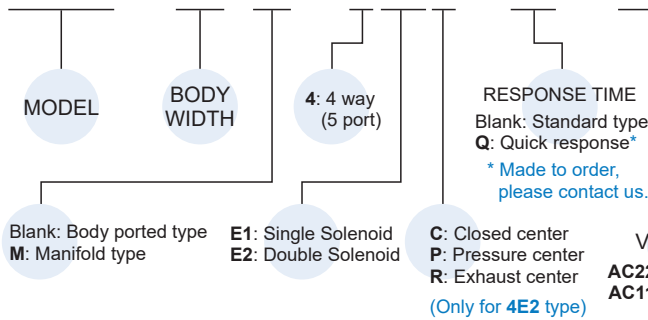
### Specification

\* Refer to page 1-21 for feature.

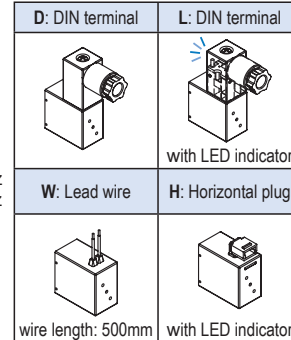
Model		4E1	4E2	4E2 C.P.R
Port size		1/4		
No. of port / position		5 / 2		5 / 3
Medium		Air		
Operating perssure range		0.15~0.7 MPa		0.2~0.7 MPa
Proof pressure		1 MPa		
Effective orifice	Body ported	15 mm <sup>2</sup>	16.3 / 27 / 12.4 mm <sup>2</sup>	
	Manifold	13 mm <sup>2</sup>	13.5 / 18.4 / 11 mm <sup>2</sup>	
Response time	Standard	AC<35 ms, DC<23 ms		AC<45 ms, DC<33 ms
	Quick response*	AC<32 ms, DC<20 ms		AC<42 ms, DC<30 ms
Power consumption	Standard	AC=1.12VA, DC=0.95W		
	Quick response*	AC=2.5VA, DC=2.5W		
Ambient temperature		-5~+50°C (No freezing)		
Voltage		AC110V, 220V (50/60)Hz, DC24/12V		
Available voltage range		±10%		
Insulation class		F class		
Weight		96 g	132 g	142 g

### Order example of valve

MVSP – 188M – 4E2C – □ – AC110 – H1 – G



### ELECTRIC CONNECTION



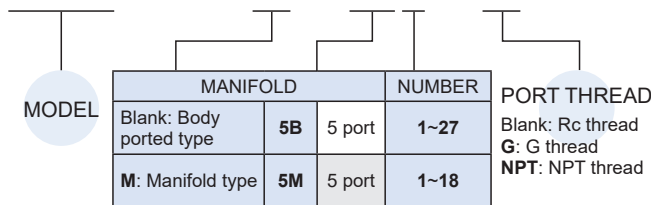
### PORT THREAD

Blank: Rc thread  
G: G thread  
NPT: NPT thread  
(Only for body ported type)

Wire length	
—	500mm
1	1000mm
2	2000mm
3	3000mm

### Order example of manifold

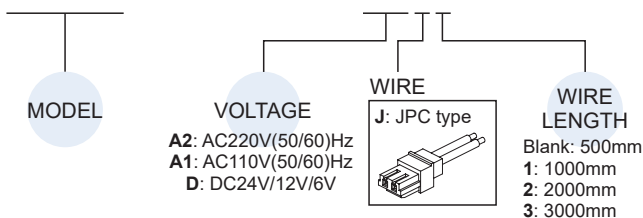
MVSY – 188M – 5B3 – G



\* Starting from 11 stations, manifolds are made to order.

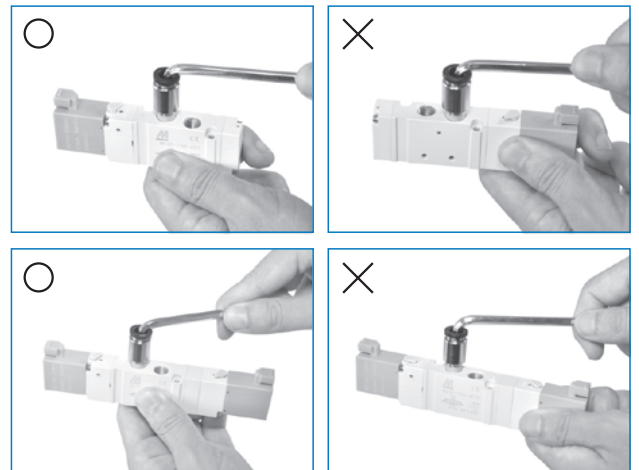
### Order example of wire

MVDY – 100 – WA2J2



### Caution

Prohibit apply force to coil when tighten the tube fitting.

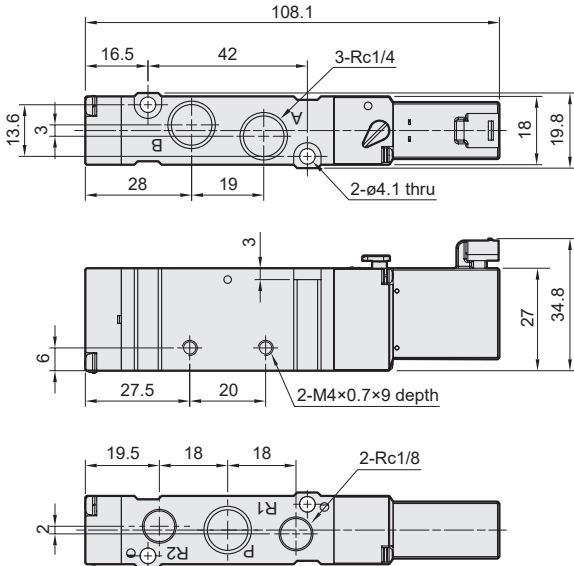
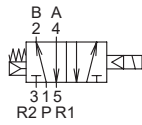


# MVSP-188 Dimensions

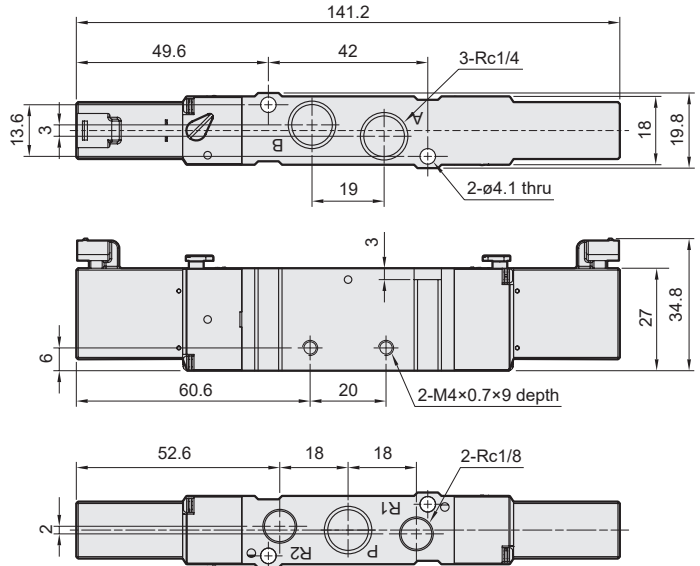
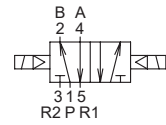
## SOLENOID VALVE



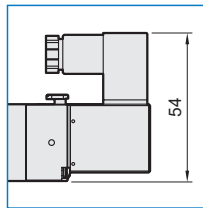
### MVSP-188-4E1



### MVSP-188-4E2



DIN terminal /  
DIN terminal with  
LED indicator

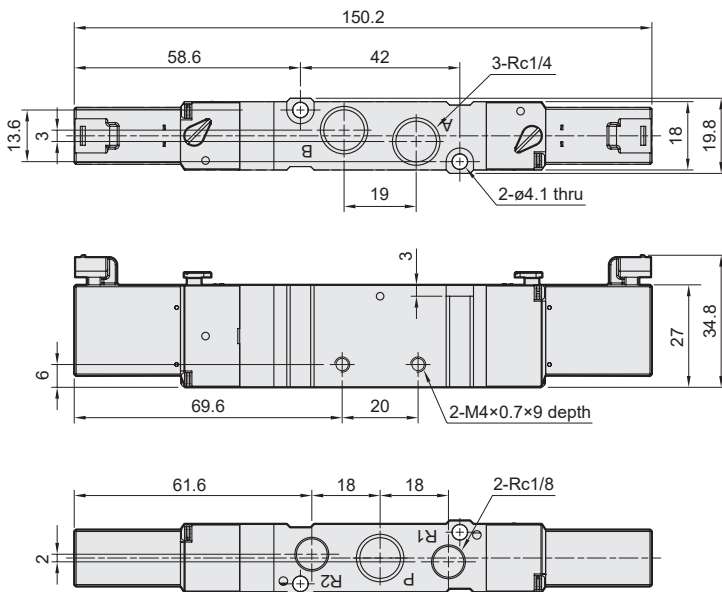
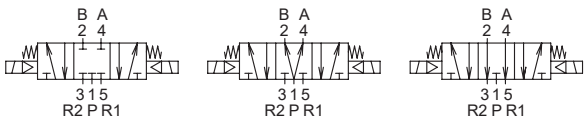


### MVSP-188-4E2C.P.R

#### MVSP-188-4E2C

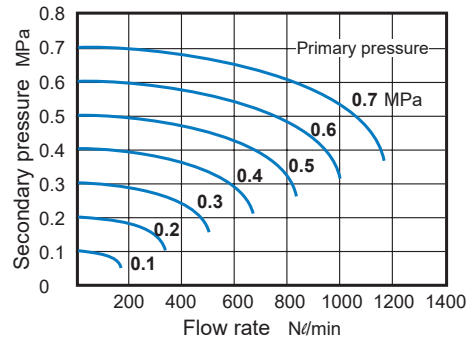
#### MVSP-188-4E2P

#### MVSP-188-4E2R

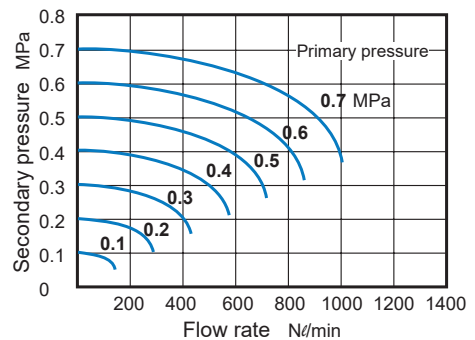


## Flow features

### MVSP-188-4E1/4E2



### MVSP-188M-4E1/4E2



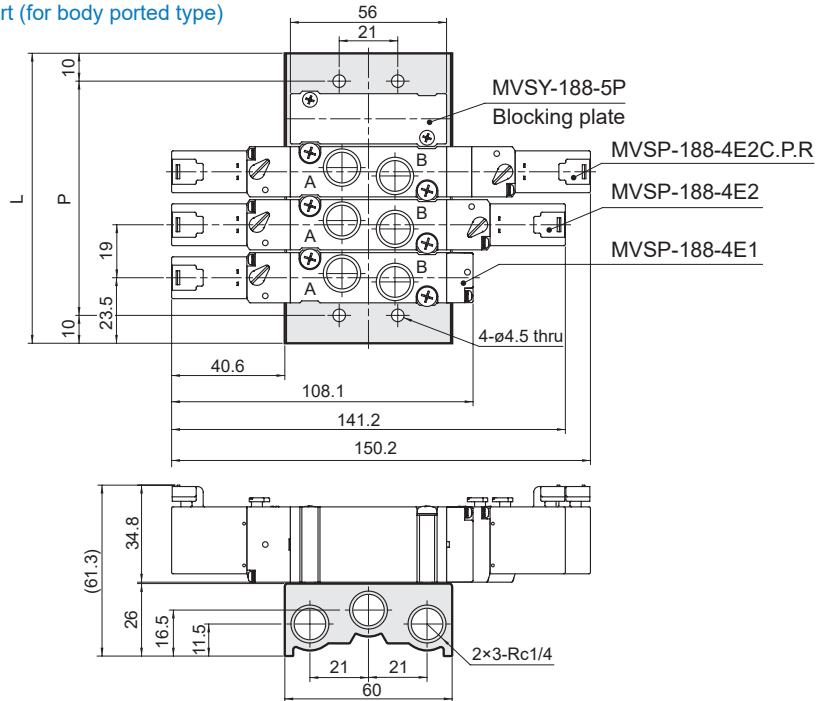
# MVSP-188 Manifold

## SOLENOID VALVE



### MVSY-188-5B\*

5 port (for body ported type)

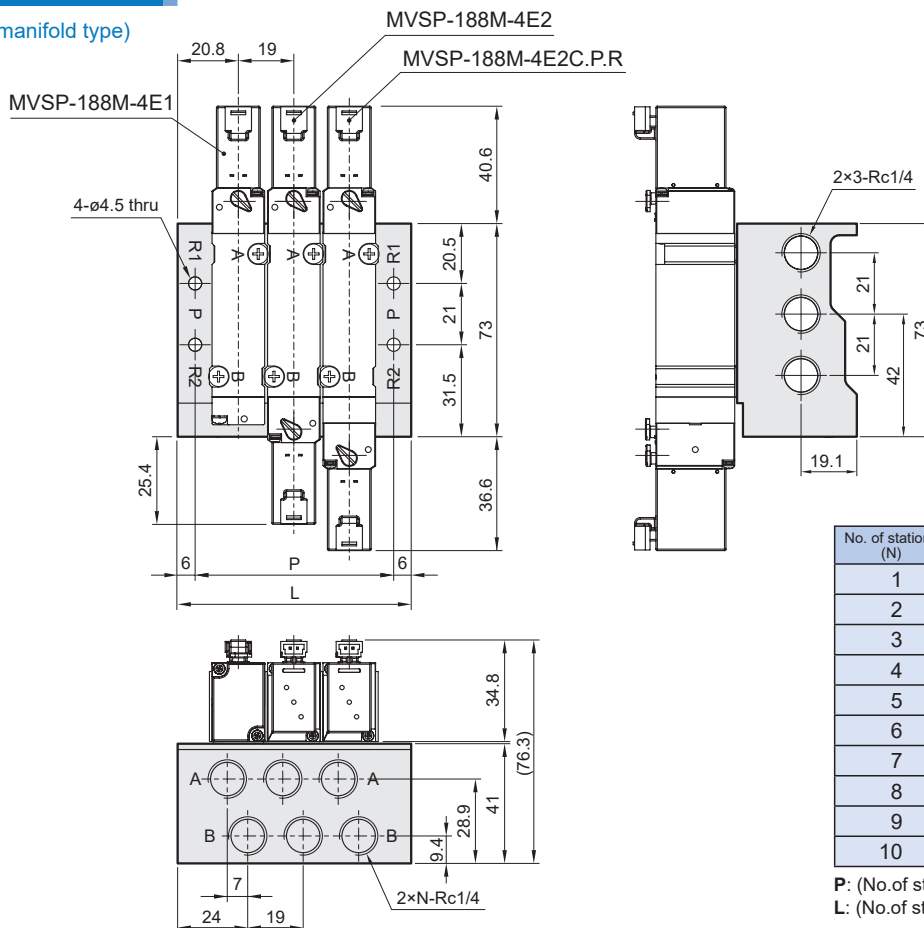


No. of stations	P	L
1	27	47
2	46	66
3	65	85
4	84	104
5	103	123
6	122	142
7	141	161
8	160	180
9	179	199
10	198	218

P: (No. of stations-1)×19+27  
L: (No. of stations-1)×19+47

### MVSY-188M-5M\*

5 port (for manifold type)



No. of stations (N)	P	L
1	30	42
2	49	61
3	68	80
4	87	99
5	106	118
6	125	137
7	144	156
8	163	175
9	182	194
10	201	213

P: (No. of stations-1)×19+30  
L: (No. of stations-1)×19+42

# MVSP-188 Mounting bracket & Spacer assembly

SOLENOID VALVE



## Order example of bracket

\* Use the same bracket with MVSU.

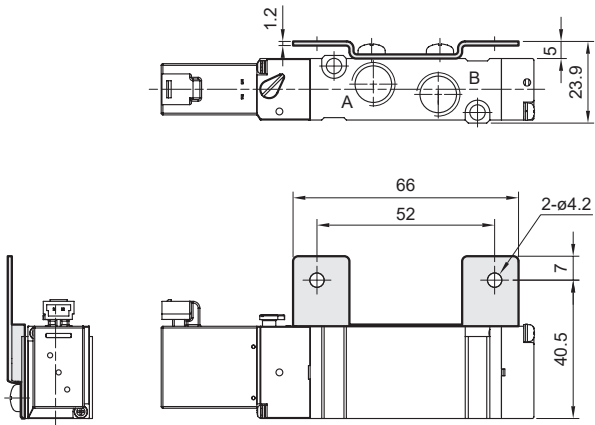
MVSU – 188 – 1A

MODEL

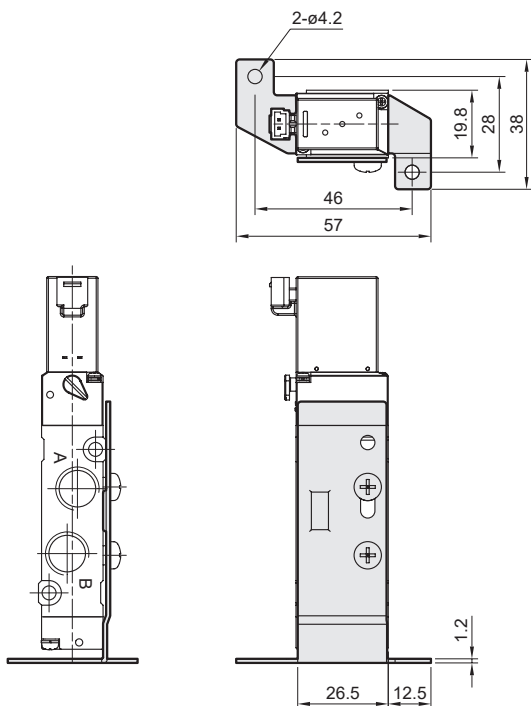
MOUNTING BRACKET

1A  
2A

MVSU-188-1A



MVSU-188-2A



## Order example of spacer assembly

\* Use the same spacer assembly with MVSU.

MVSU – 188M – 5BP

MODEL

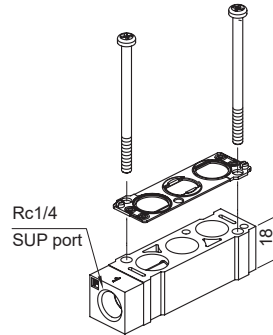
5B: 5 Port (for body ported type)  
5M: 5 Port (for Manifold type)

SPACER ASSEMBLY

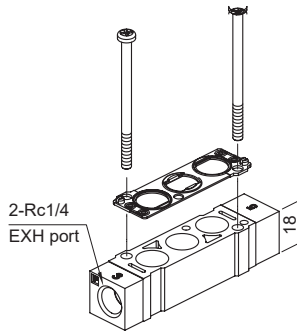
Blank: Body ported type  
M: Manifold type

P: Individual SUP spacer assembly  
R: Individual EXH spacer assembly  
PR: Individual SUP spacer assembly+  
Individual EXH spacer assembly

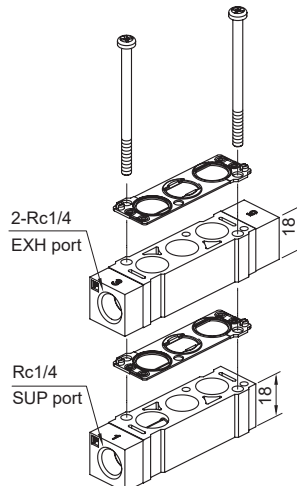
MVSU-188-5BP



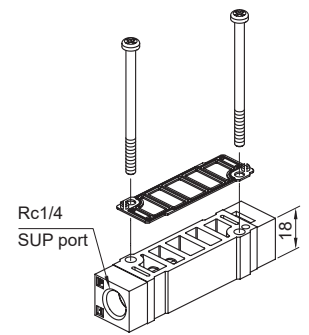
MVSU-188-5BR



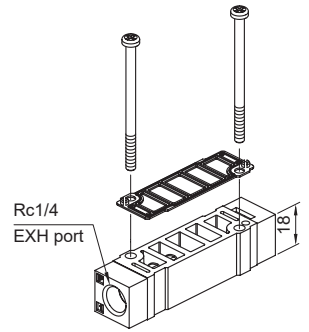
MVSU-188-5BPR



MVSU-188M-5MP



MVSU-188M-5MR



MVSU-188M-5MPR

