

UCBM 40

Pneumatic power clamps Ø40 mm with hand lever

Pneumatic power clamps with compensation system, toggle-joint mechanism and stepless adjustable opening angle, typically used for handling and holding metal sheets in welding applications

- Lightweight aluminium construction ideal for mounting on grippers
- Compact dimensions
- Integrated compensation system up to 2 mm
- Hand lever mount on both sides
- Fully optical electronic sensor or pneumatic sensor
- Fixing pattern on 4 sides
- Manual unlocking in case of air loss
- Self-holding system for open position available
- Clamping arm in aluminium or steel

CHARACTERISTICS

Operating temperature	5° ÷ 45° C
Min./Max. Operating pressure	0,4 / 0,6 MPa
Opening angle*	0° ÷ 135°
Bore Ø	40 mm
Holding moment	600 Nm
Clamping moment (0,5 MPa)	170 Nm
Weight (clamping arm not included)	1,8 Kg
Pneumatic supply ports	G1/8 on both sides
Sensor	electronic (optical)
Supply voltage	10 ÷ 30 Vdc
IP code	IP65

*The opening angle range may vary according to the arm position and style.

CODIFICATION KEY

UC | B | M | 40 | O | E | A | K | 0 | 10



COMPENSATION



LIGHTWEIGHT



IRREVERSIBLE



ANGLE ADJUSTMENT



OPTICAL SENSOR



COMPACT

1

SERIES
UC = UNICLAMP Power clamps

2

STANDARD
B = European standard

3

VERSION
M = Pneumatic with hand lever

4

SIZE
40 = Ø40 mm

5

ARM POSITION

V = 90°



O = 180°



N = No arm



6

ARM STYLE
C = Central, 15 mm offset
D = Right, 15 mm offset
S = Left, 15 mm offset
E = Central, 45 mm offset
F = Right, 45 mm offset
L = Left, 45 mm offset
N = No arm
For other versions contact our Sales Dept.

7

ARM TYPE
A = Aluminium
S = Steel
N = No arm

8

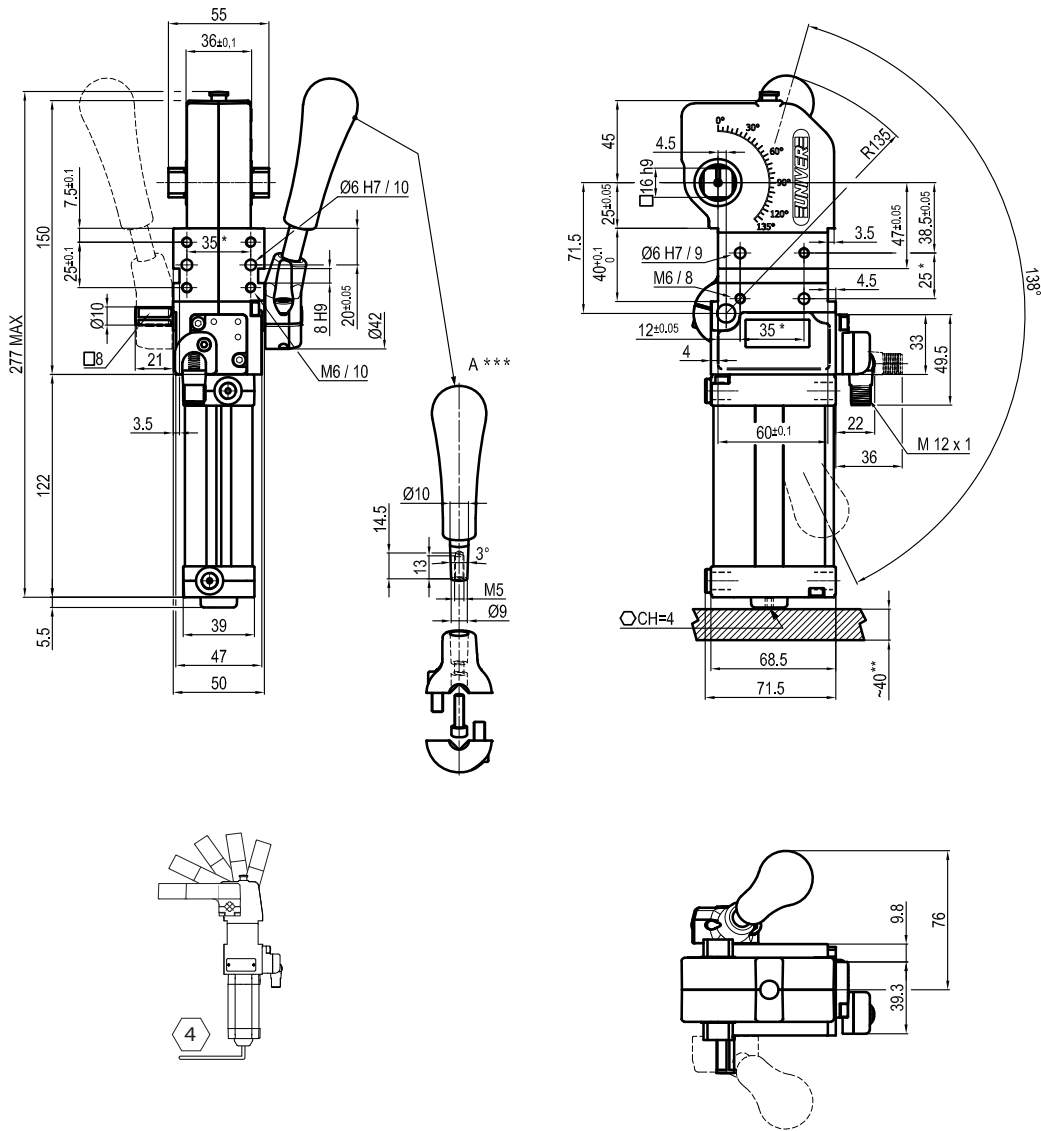
SENSOR
N = No sensor (with protection plate)
K = Electronic sensor PNP, M12 (DF-K)
D = Pneumatic sensor (DF-UPNW)
J = Electronic sensor NPN, optical (DF-J)
Y = Electronic sensor PNP, M12 (DF-Y) white LED

9

PRODUCT REVISION
Assigned by UNIVER

10

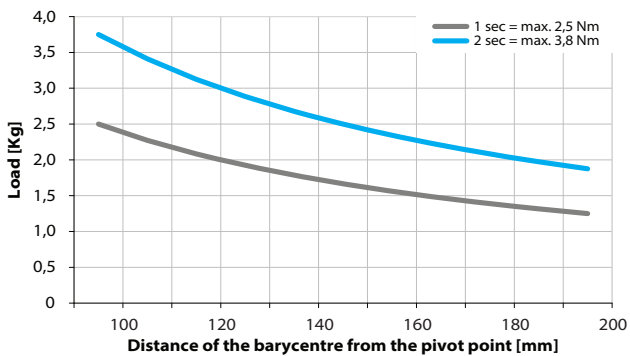
ATEX
X = ATEX option
See ATEX Catalogue for types and versions



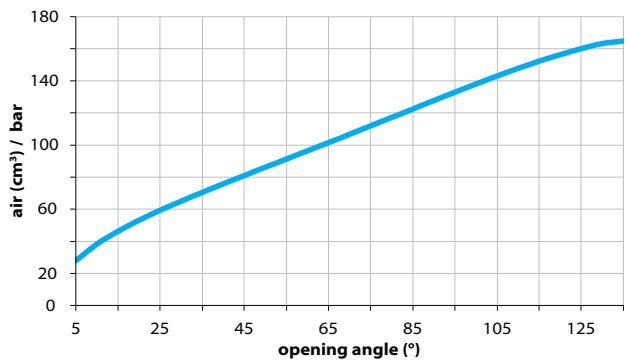
*TOLERANCE BETWEEN DOWELS $\pm 0,02$ BETWEEN SCREW HOLES $\pm 0,1$
 **AREA TO ACCESS ANGLE ADJUSTMENT
 ***DIMENSIONS TO BE RESPECTED IN CASE OTHER HAND LEVERS ARE USED

Maximum Applicable Load

Pressure: 5 bar - 90° cycle time (Open - Close)



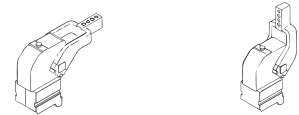
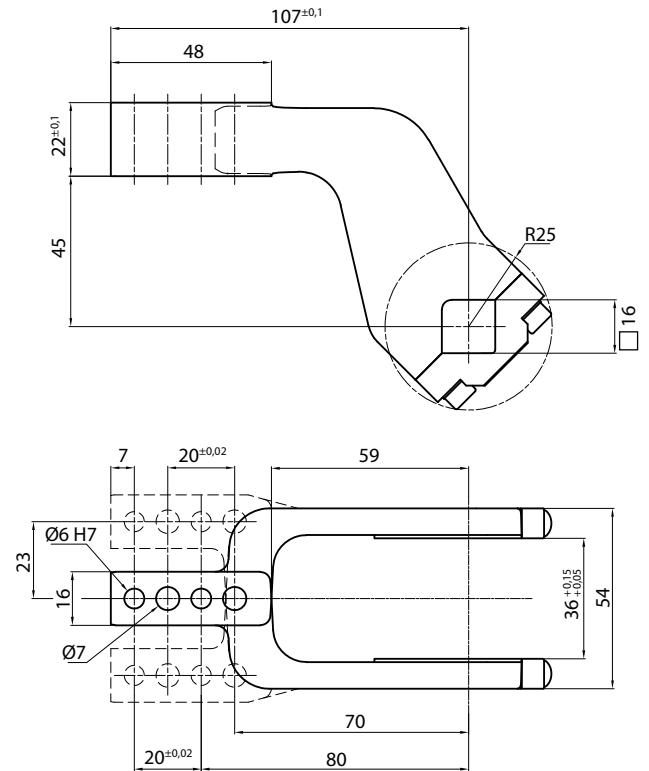
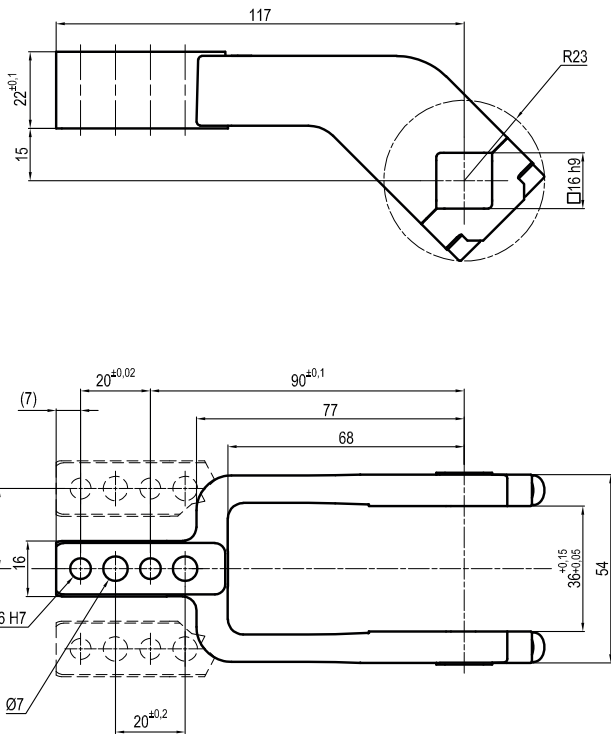
Air Consumption per Cycle



Clamping Arms

Arm Offset 15mm

Arm Offset 45mm



Armcode	Offset	Material	Arm style	Weight (Kg)	Opening angle (90°)	Opening angle (180°)
LKP01CST	15	ALUMINIUM	CENTRAL	0,2	0÷135°	0÷125°
LKP01DST	15	ALUMINIUM	RIGHT	0,2	0÷135°	0÷125°
LKP01SST	15	ALUMINIUM	LEFT	0,2	0÷135°	0÷125°
UP120151441S	15	STEEL	CENTRAL	0,4	0÷135°	0÷125°
UP120151442S	15	STEEL	RIGHT	0,4	0÷135°	0÷125°
UP120151443S	15	STEEL	LEFT	0,4	0÷135°	0÷125°
UKP01E	45	ALUMINIUM	CENTRAL	0,25	0÷125°	0÷135°
UKP01F	45	ALUMINIUM	RIGHT	0,25	0÷125°	0÷135°
UKP01L	45	ALUMINIUM	LEFT	0,25	0÷125°	0÷135°
UKP01ES	45	STEEL	CENTRAL	0,4	0÷125°	0÷135°
UKP01FS	45	STEEL	RIGHT	0,4	0÷125°	0÷135°
UKP01LS	45	STEEL	LEFT	0,4	0÷125°	0÷135°

Sensors

Accessories



Electronic (optical)

Pneumatic

Handlever

Self holding system

DF-K PNP M12
DF-J NPN M12
DF-Y PNP M12 White LED

DF-UPNW

UBF2540

UBK46P16 For arm 15 offset
UBK46P16-45 For arm 45 offset