

MVHB-300 series

HAND LEVER VALVE

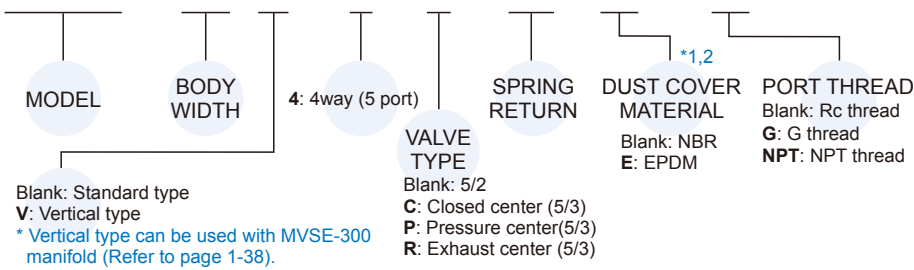


Specification

Model	MVHB-300(V)-4TV MVHB-300(V)-4TV-SP	MVHB-300(V)-4TV* MVHB-300(V)-4TV*-SP
Bore No.	10A	
Port size	Rc3/8	
No. of port	5	
No. of position	2	3
Medium	Air	
Operating pressure range	0~1.2 MPa	
Effective orifice	34 mm ²	
Ambient temperature	-5~+60°C (No freezing)	
Weight	438 g	487 g

Order example

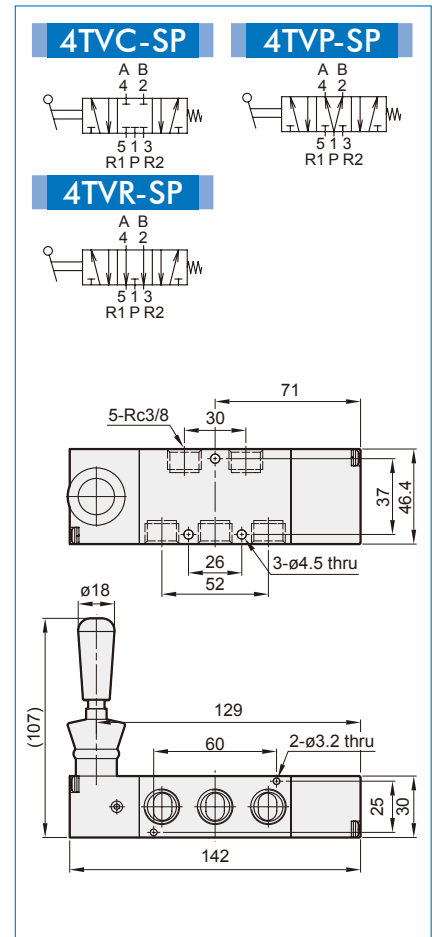
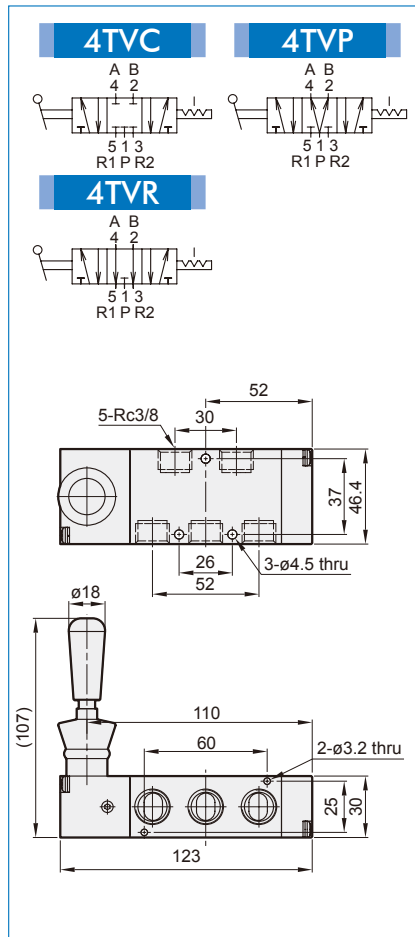
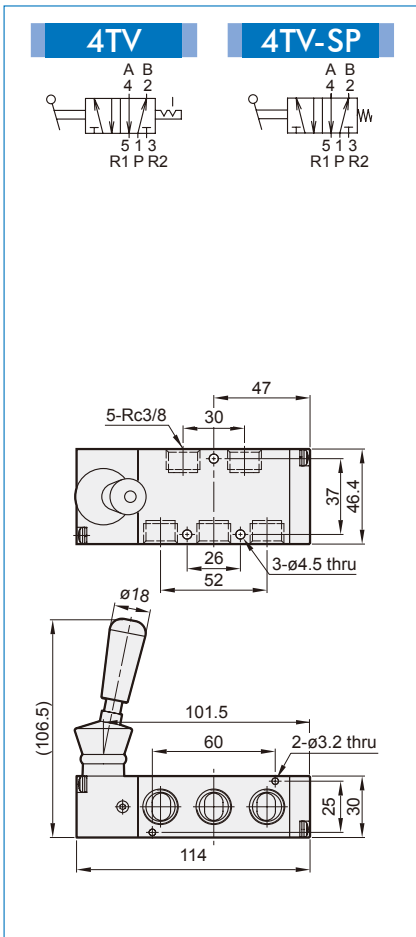
MVHB - 300V - 4TVC - SP - □ - G



*1. NBR: Good oil resistance and abrasion resistance, not suitable for using in polar solvents.

EPDM: Excellent water resistance and chemical resistance, not suitable for using oil place.

*2. Suitability of material please refer to page 2-3-5.



MVHB-300 Dimensions – Vertical type

HAND LEVER VALVE

