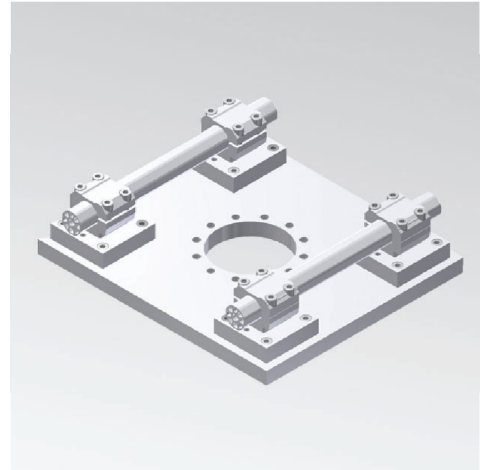
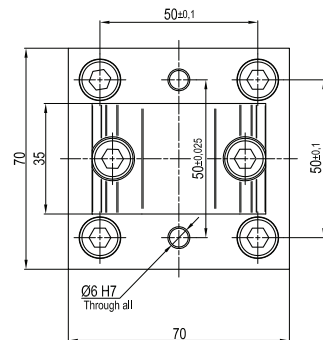
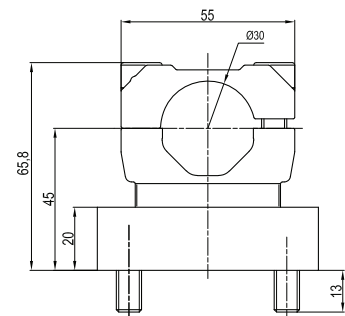
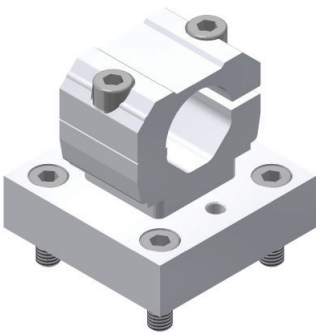


## Base plate

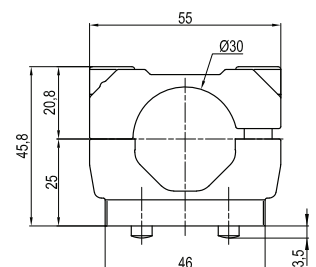
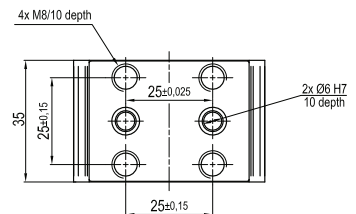


### GR8BB30 Base plate 30

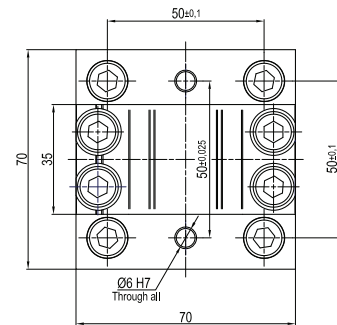
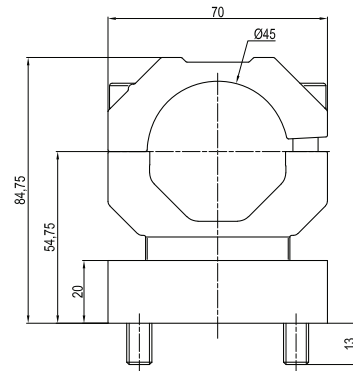
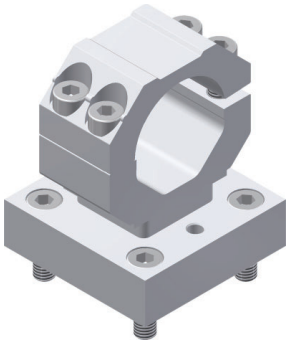


	Tightening torque	Screw
GR8BB30	25 Nm	M8x20 and M8x25
Material:	Aluminium	
Weight:	0,5 kg	
Max static load:	135 Nm	

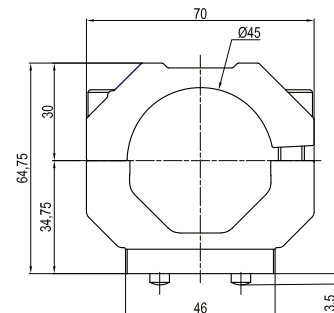
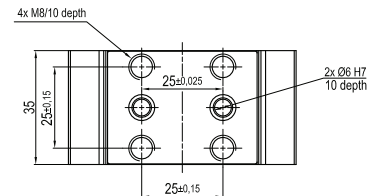
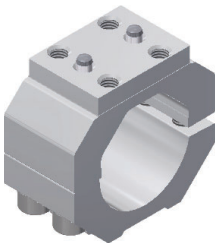
### GR8BB30A Joint 30 without base



	Tightening torque	Screw
GR8BB30A	25 Nm	M8x25
Material:	Aluminium	
Weight:	0,17 kg	
Max static load:	135 Nm	

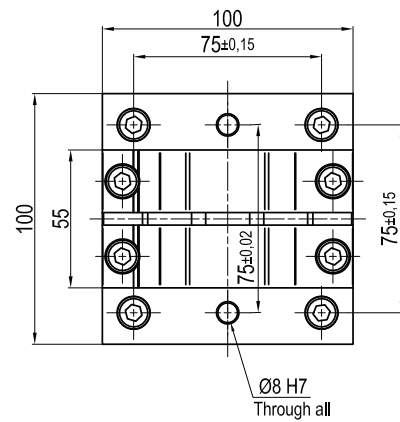
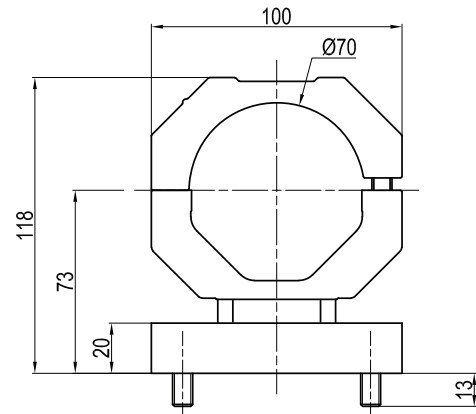
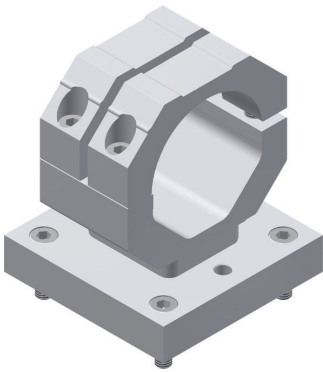
**GR8BB45 Base plate bracket 45**


	Tightening torque	Screw
<b>GR8BB45</b>	25 Nm	M8x20 and M8x25
<b>Material:</b>	Aluminium	
<b>Weight:</b>	0,6 kg	
<b>Max static load:</b>	290 Nm	

**GR8BB45A Joint 45 without base**


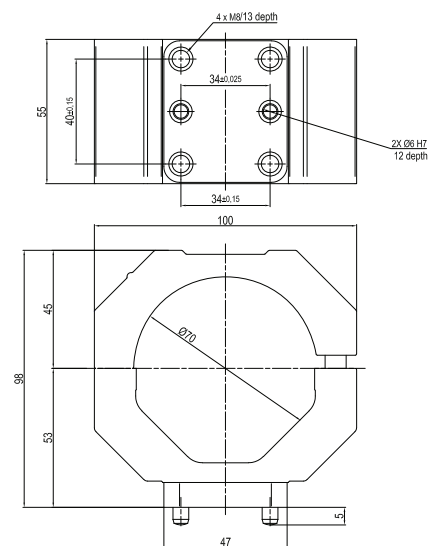
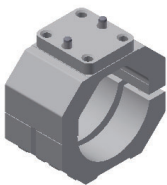
	Tightening torque	Screw
<b>GR8BB45A</b>	25 Nm	M8x25
<b>Material:</b>	Aluminium	
<b>Weight:</b>	0,26 kg	
<b>Max static load:</b>	290 Nm	

**GR8BB70 Base plate 70**



	Tightening torque	Screw
GR8BB70	25 Nm	M8x20 and M8x25
Material:	Aluminium	
Weight:	1,26 kg	
Max static load:	390	

**GR8BB70A Joint 70 without base**



	Tightening torque	Screw
GR8BB70A	25 Nm	M8x25
Material:	Aluminium	
Weight:	0,7 kg	
Max static load:	390	