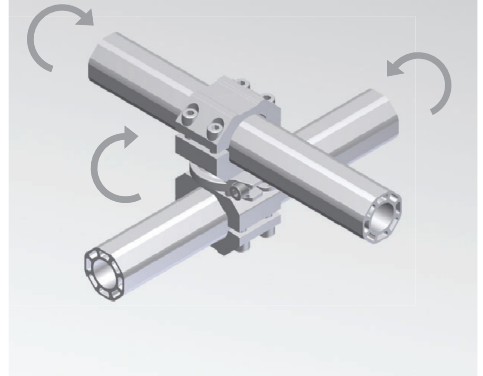
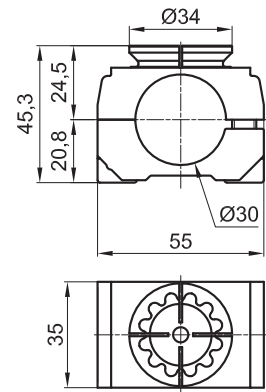


Round joints

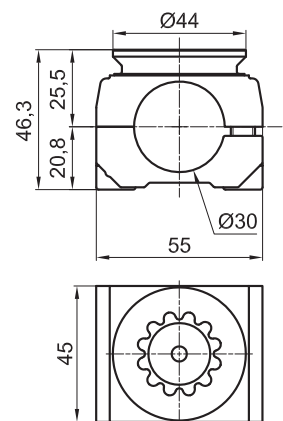
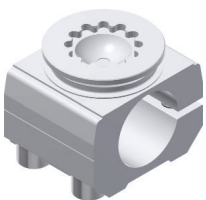


GR8RJ30C Round joint 30 for ball mounting



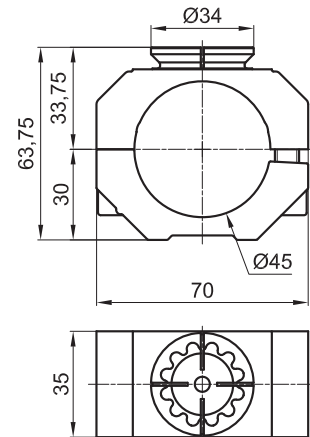
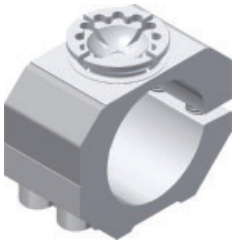
	Tightening torque	Screw
GR8RJ30C	25 Nm	M8x25
Material:	Aluminium EN AW 6005 T6	
Weight:	0,144 kg	
Max static load:	80 Nm	

GR8RJ30D Round joint 30 D



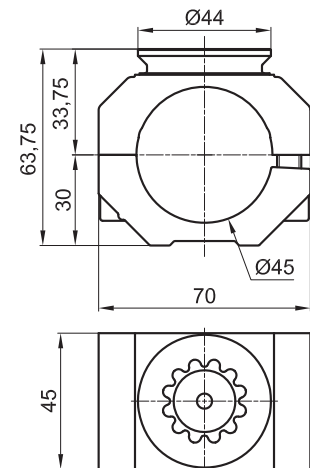
	Tightening torque	Screw
GR8RJ30D	25 Nm	M8x25
Material:	Aluminium	
Weight:	0,21 kg	
Max static load:	200 Nm	

GR8RJ45C Round joint 45 for ball mounting



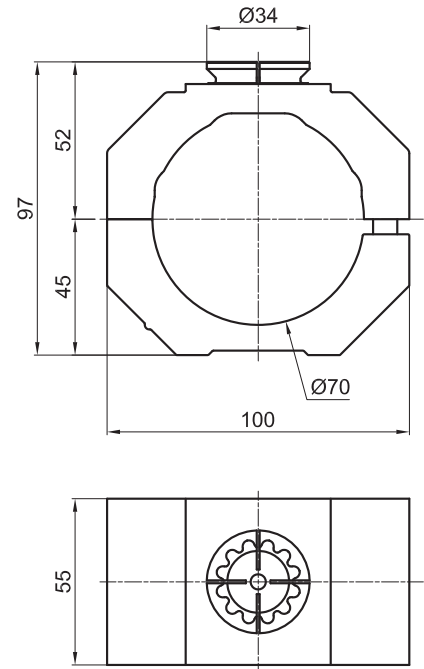
	Tightening torque	Screw
GR8RJ45C	25 Nm	M8x25
Material:	Aluminium	
Weight:	0,22 kg	
Max static load:	80 Nm	

GR8RJ45D Round joint 45 D



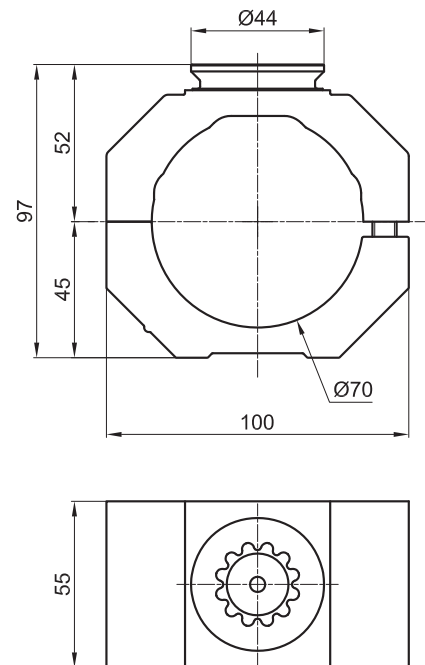
	Tightening torque	Screw
GR8RJ45D	25 Nm	M8x25
Material:	Aluminium	
Weight:	0,3 kg	
Max static load:	200 Nm	

GR8RJ70C Round joint 70 for ball mounting



	Tightening torque	Screw
GR8RJ70C	25 Nm	M8x25
Material:	Aluminium	
Weight:	0,59 kg	
Max static load:	80 Nm	

GR8RJ70D Round joint 70 D



	Tightening torque	Screw
GR8RJ70D	25 Nm	M8x25
Material:	Aluminium	
Weight:	0,6 kg	
Max static load:	200 Nm	