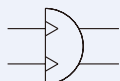


MRPH

Male pivot gear



Features

- Compact body manufactured from anodised aluminum.
- Functional design with clean appearance.
- Rotation angle can be adjusted via screw

Specification

| Model | MRPH | |
|-------------------------------|--|-------|
| Tube I.D. (mm) | 32 | 40 |
| Standard rotation | 90±5°, 180±5° | |
| Rotating shaft dia. (mm) | 24 | 28 |
| Initial position of slot (mm) | See dimensional feature | |
| Medium | Filtered air with or without lubrication | |
| Max. operating pressure | 3.5 MPa | |
| Ambient temperature | -10~+60°C (No freezing) | |
| Max. allowable axial thrust | 12 kg | 20 kg |
| Sensor switch (*) | LN01P | |

* LN01P specification, please refer to page 5-17.

Order example

MRPH — 40 — 90

MODEL

TUBE I.D.

ROTATION

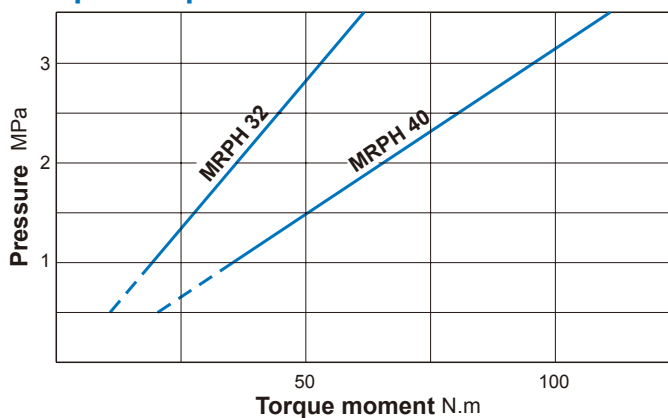
32

40

90: 90°

180: 180°

Output torque table



Kind of fluid

| Petroleum - based fluid | Water - glycol fluid | Phosphate - ester fluid | Water in oil fluid | Oil in water fluid |
|-------------------------|----------------------|-------------------------|--------------------|--------------------|
| ○ | × | × | △ | △ |

Note. ○ allowable × unallowable △ consult us

Oil volume per

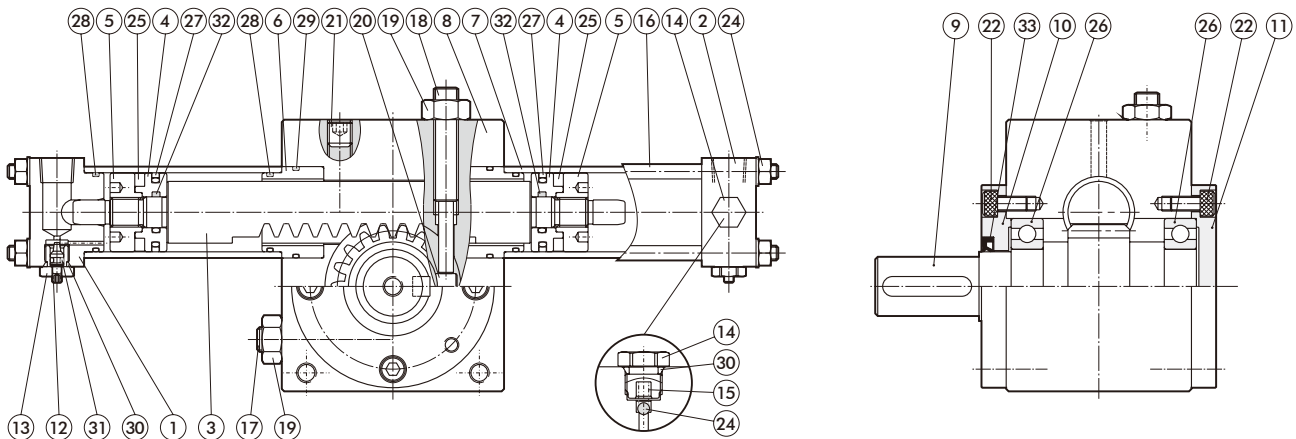
Unit: ml

| Rotary angle / Tube I.D. | 90° | 180° |
|--------------------------|-----|------|
| 32 | 29 | 54 |
| 40 | 52 | 100 |

How to order the seal kit

MRPHSK

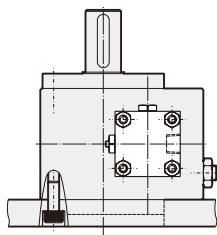
| Tube I.D. | Seal kit |
|-----------|--|
| 32 | MRPHSK32 - Including No.27,28,29,30,31,32,33 |
| 40 | MRPHSK40 - Including No.27,28,29,30,31,32,33 |



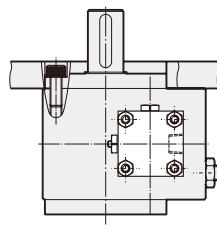
Parts list

| No. | Part name | Q'y | No. | Part name | Q'y | No. | Part name | Q'y |
|-----|---------------|-----|-----|---------------------------|-----|-----|---------------------|-----|
| 1 | End cap | 1 | 12 | Cushion needle | 2 | 23 | Nut & Spring washer | 8 |
| 2 | End cap | 1 | 13 | Cushion plug | 2 | 24 | Steel ball | 2 |
| 3 | Rack | 1 | 14 | Check valve | 2 | 25 | Magnet | 2 |
| 4 | Piston | 2 | 15 | Spring | 2 | 26 | Ball bearing | 2 |
| 5 | Magnet holder | 2 | 16 | Tie bolt | 8 | 27 | Piston packing | 2 |
| 6 | Rod bush | 2 | 17 | Adjusting screw | 1 | 28 | Cylinder gasket | 4 |
| 7 | Cylinder tube | 2 | 18 | Adjusting screw | 1 | 29 | O-ring | 2 |
| 8 | Housing | 1 | 19 | Lock nut | 2 | 30 | O-ring | 4 |
| 9 | Pinion shaft | 1 | 20 | Stopper pin | 1 | 31 | O-ring | 2 |
| 10 | End cover | 1 | 21 | Set screw | 1 | 32 | Piston gasket | 2 |
| 11 | End cover | 1 | 22 | Hexagon socket head screw | 8 | 33 | Rod packing | 1 |

Mounting type

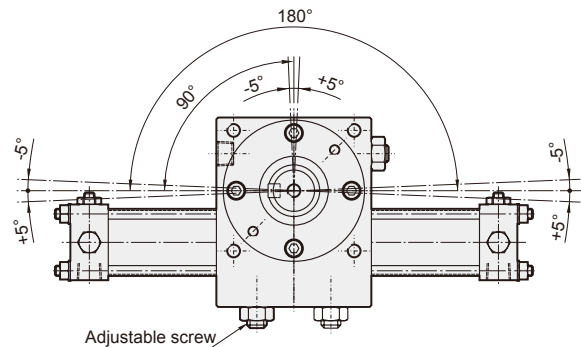


Bottom mounting

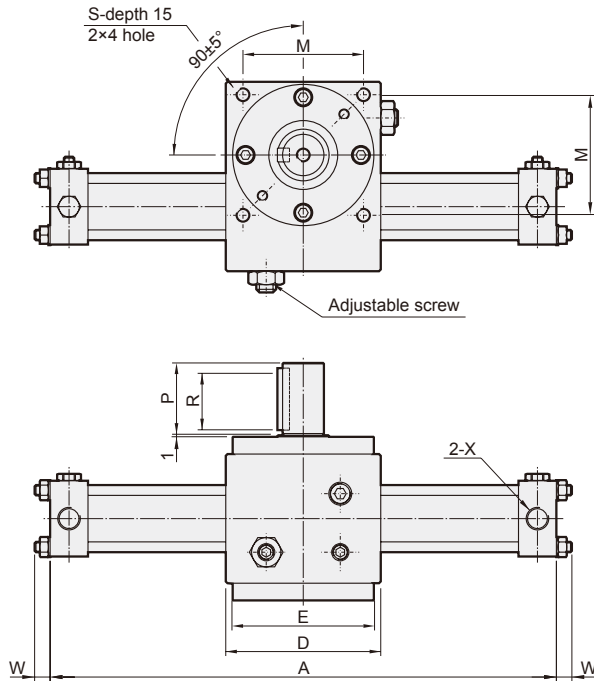


Top mounting

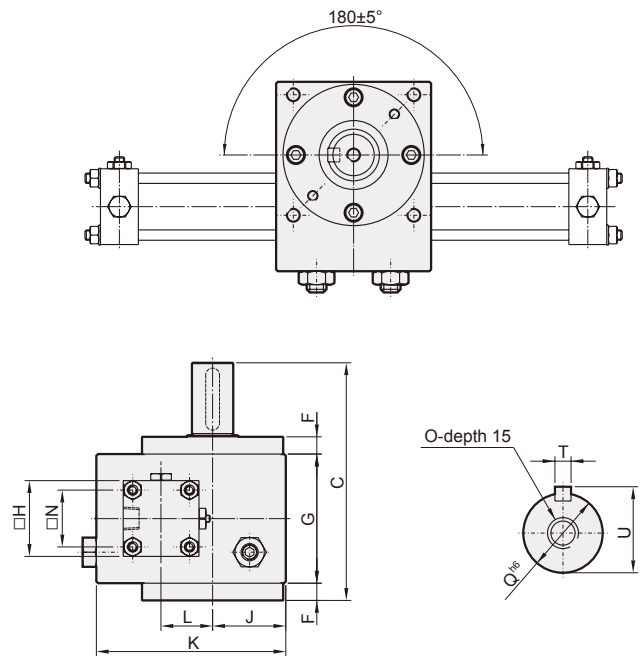
Rotating direction and adjustable angle



Angle of rotation 90°

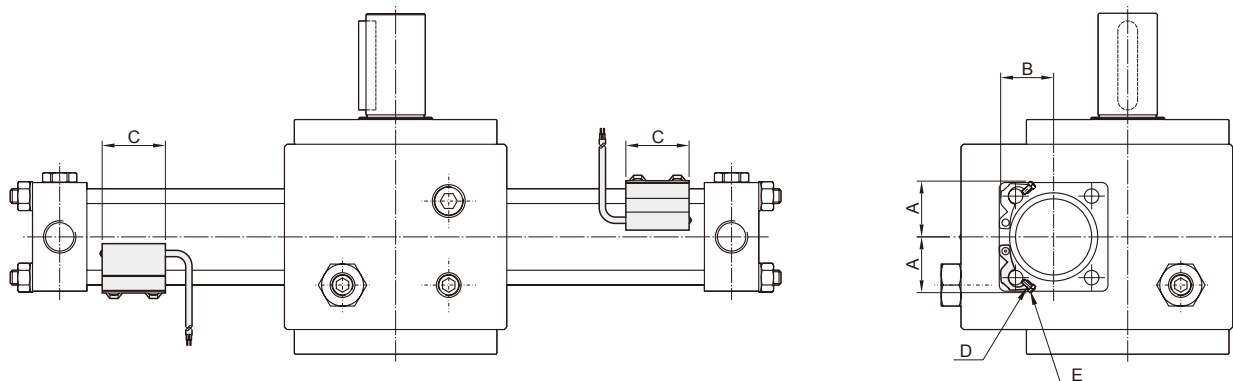


Angle of rotation 180°



| Code | A | | C | D | E | F | G | H | J | K | L | M | N | O | P | Q | R | S | T | U | W | X |
|------|-----|------|-----|-----|----|----|----|----|------|-----|----|----|----|----|----|----|----|-----|---|----|---|-------|
| | 90° | 180° | | | | | | | | | | | | | | | | | | | | |
| 32 | 286 | 357 | 138 | 90 | 82 | 10 | 75 | 44 | 42.5 | 110 | 30 | 70 | 33 | M8 | 42 | 24 | 36 | M8 | 8 | 27 | 9 | Rc1/4 |
| 40 | 315 | 400 | 170 | 105 | 96 | 12 | 95 | 50 | 51.5 | 135 | 36 | 82 | 37 | M8 | 50 | 28 | 45 | M10 | 8 | 31 | 9 | Rc3/8 |

Installation of sensor switches



| Code | Sensor switch | A | B | C | D | E |
|------|---------------|----|----|----|--------|----|
| 32 | LN01P | 25 | 29 | 32 | M4×16L | M4 |
| 40 | LN01P | 27 | 30 | 32 | M4×16L | M4 |