

HZRS

Microregulator for air

- Modern design
- Compact construction
- Aluminium body
- Panel or in-line mounting
- Piston construction with relieving



TECHNICAL CHARACTERISTICS

Ambient temperature	-10 ÷ 50 °C
Max working pressure	10 bar
Fluid-relieving version	filtered air, with or without lubrication, neutral gases
Pressure adjustment (A)	1 ÷ 8 bar
Connections	G1/4
Pressure gauge connections	Rp 1/8
Nominal flow rate (B)	320 NI/min

CONSTRUCTION CHARACTERISTICS

Body	aluminium
Knob	technopolymer
Bonnet	technopolymer
Spring	steel
Diaphragm	NBR

CODIFICATION KEY

H	Z	R	S	0	8	G		
1		2		3				

1 Series	2 Connection	3 Version
HZRS = Pressure Microregulator for air with relieving	08G = G1/4	_ = standard 1 ÷ 8 bar -2 = 0 ÷ 2 bar -4 = 0 ÷ 4 bar -6 = 0 ÷ 6 bar

(A) = Different adjustment range upon request
 (B) = Inlet pressure 6 bar, outlet pressure 5 bar, Δp 1 bar

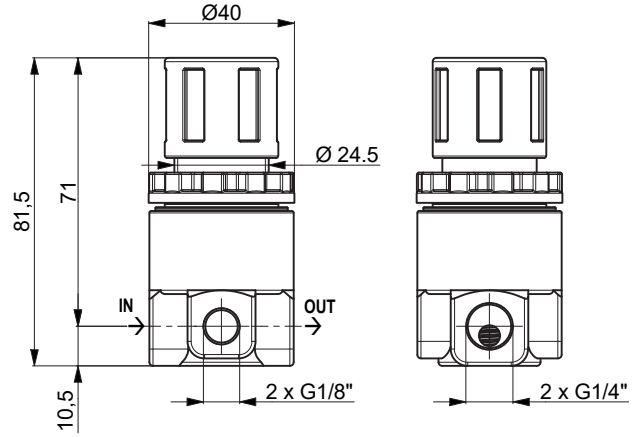
Ring nut for panel mounting included

Subject to change

Microregulator for air

Part no.	HZRS08G
Max pressure (bar)	10
Connections	G1/4
Body	aluminium
Weight (Kg)	0,15

HZRS08G



HZE0Z603

HZE0Z310

HZRS65_



4

Ring nut for panel
HZE0Z603 Technopolymer

Regulator L-bracket
HZE0Z310 Nickel-plated steel

Regulator spring
Pressure adjustment
HZRS652 0÷2 bar
HZRS654 0÷4 bar
HZRS656 0÷6 bar

Special version:
Microregulator for high pressure

