

### Specification

Model	MESS2			
Size	16	25		
Positioning repeatability (mm)	±0.02			
Lead (mm)	2	2	8	
Maximum speed *1	Motor SM/ BM (mm/s)	≤50	≤100	≤400
	Motor OBM (mm/s)	≤50		≤200
Work load *2	Horizontal (kg)	3	6	1.5
	Vertical (kg)	0.8	1.8	0.8
Pushing force *1,3,4 (N)	18 ~ 60	64 ~ 195	18 ~ 48	
Stroke (mm)	30 / 50 / 75 / 100			
Motor size (mm)	□20	□28		
Rated voltage	DC 24V±10%			
Slot-type photomicro sensor	RLT (Please refer to page 5-16)			

Motor type	Step motor	Transmission	Ball screw + Belt
Environment	Standard	Guide type	Cross roller guide

- \*1. The speed and force may change depending on the cable length, load, stroke and mounting conditions.
- \*2. The maximum load capacity decreases as the speed increases.
- \*3. The accuracy of pushing force is ± 20%.
- \*4. Pushing force for MESS2 is from 30% to 90%.

### Order example

**MESS2 – 16 L02 – 30 – CK10 03 N 015**

<b>Model</b>	<b>Size</b>	<b>Ball screw lead</b>	<b>Stroke</b>	<b>I/O type</b>	<b>I/O cable length</b>
	16	L02 2 mm	30 30 mm	N NPN	015 1.5 m
	25	L02 2 mm L08 8 mm	50 50 mm 75 75 mm 100 100 mm	* Not suitable for CM10.	03 3 m
			<b>Controller</b>	<b>Motor</b>	<b>Power + Encoder cable of motor</b>
			CK10	SM	01 1 m *2
			CM10 *1	OBM	015 1.5 m *3
			CM20 *1	BM	03 3 m
					05 5 m

\* Standard: 3 m

\*1. Sensors would be needed.  
\*2. Only for CM10/ CM20.  
\*3. Only for CK10.

### Slot-type photomicro sensor set

**RZ – ET1 – 10 – N**

<b>Sensor set</b>	<b>Sensor type</b>
	N NPN
	P PNP

\* With RLT sensor, bolt, nut and cable 2m.

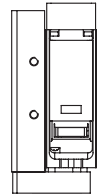
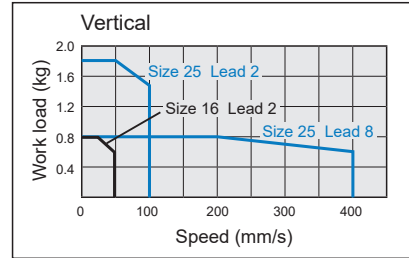
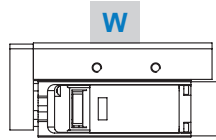
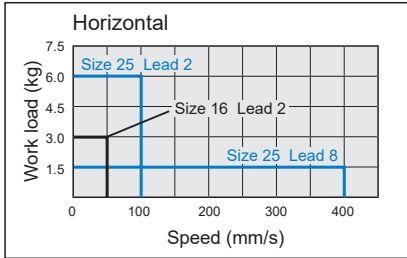
### Accessory kits

**AK – ES1 – 16 – 30**

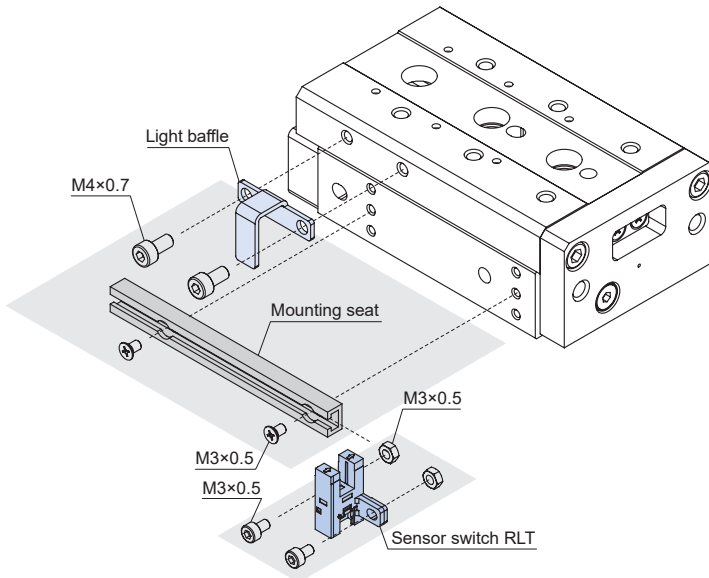
<b>Accessory kits</b>	<b>Size</b>	<b>Stroke</b>
	16	30 30 mm
	25	50 50 mm 75 75 mm 100 100 mm

\* With light baffle, mounting seat, bolt and nut.

### Speed-load curve diagram



### Slot-type photomicro sensor mounting



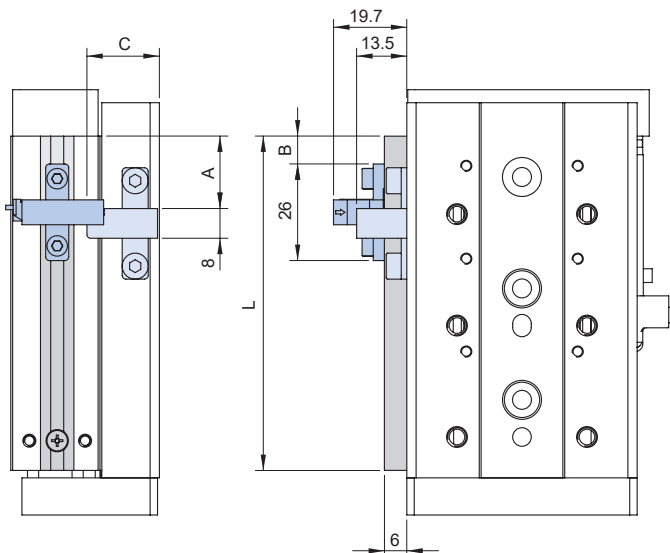
#### Sensor set

Sensor switch (x1)	
Bolt (x2)	Nut (x2)

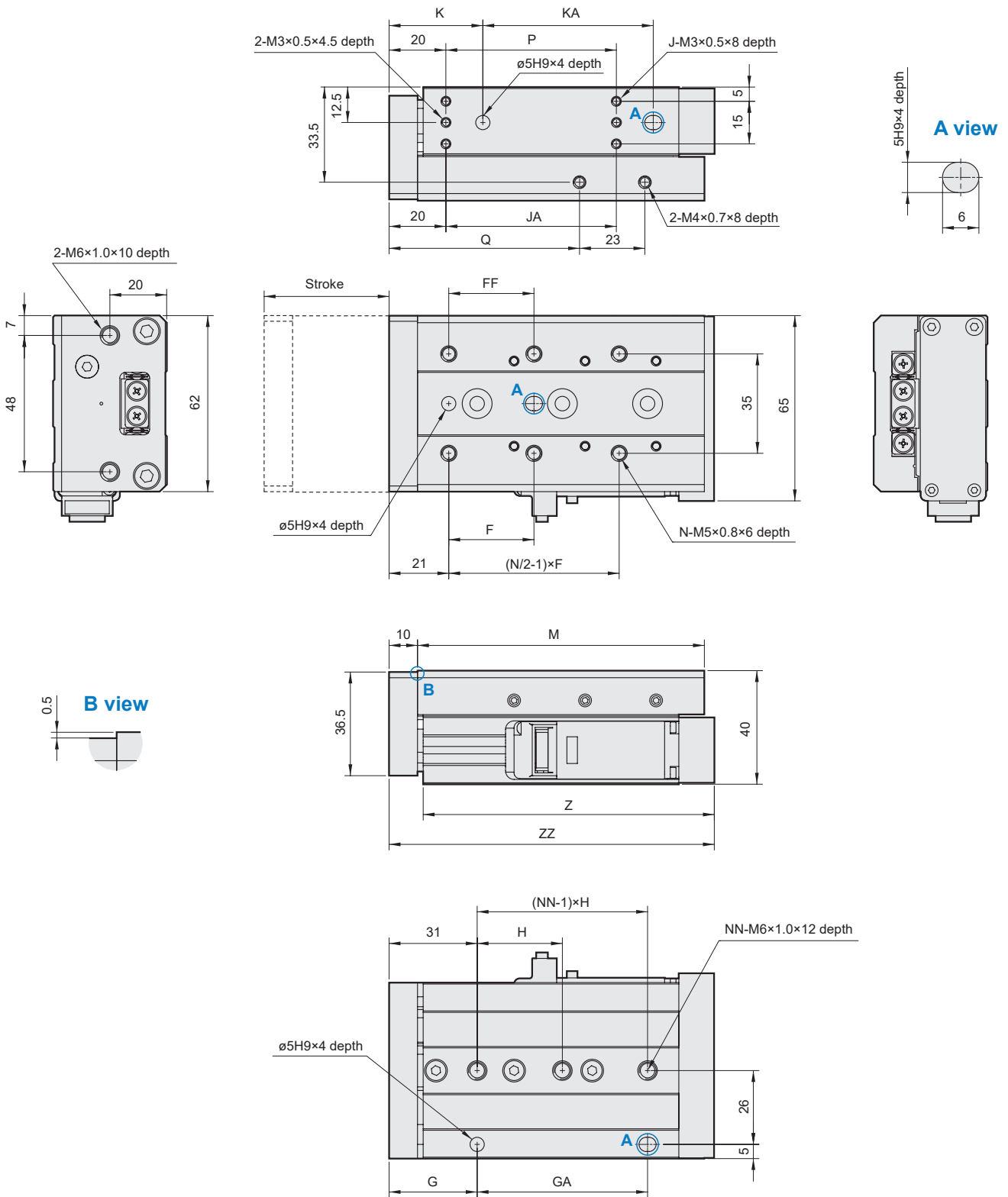
#### Accessory kits

Mounting seat (x1)		
Light baffle (x1)	Bolt (x2)	Bolt (x2)

\* With cable 2m.

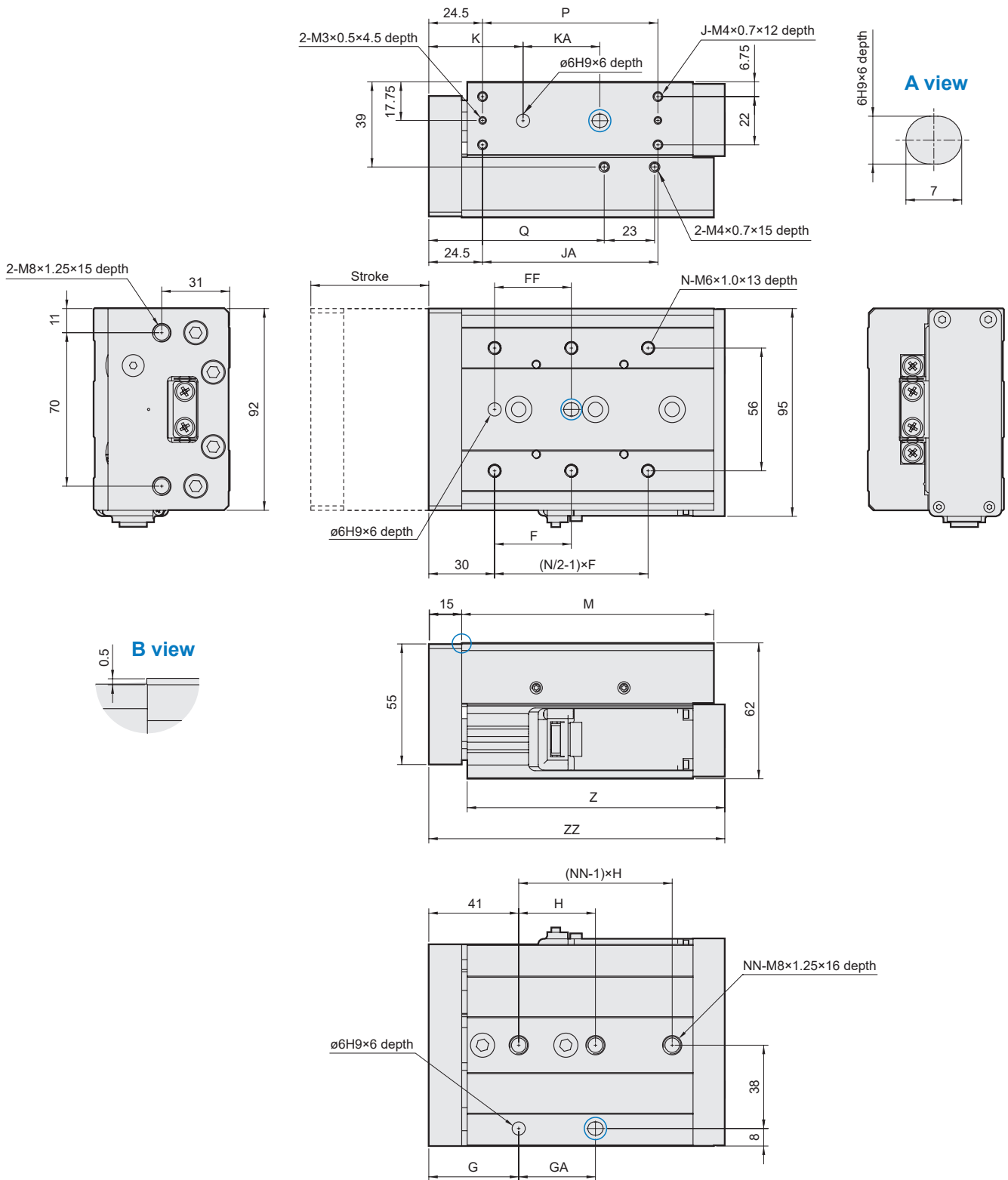


Code Stroke Size	A	B	C	L			
				30	50	75	100
16	19.5	7.5	19.5	65	90	140	188
25	25	13	36	80	103	144	185



Unit: mm

Stroke	F	FF	G	GA	H	J	JA	K	KA	M	N	NN	P	Q	Z	ZZ	Weight (g)
30	35	35	27	40	40	4	40	29	40	76	4	2	40	47	77.5	89.5	641
50	30	30	31	60	30	4	60	33	60	101	6	3	60	67	102.5	114.5	840
75	55	55	31	70	35	6	60	33	70	151	6	4	120	114	152.5	164.5	1172
100	65	65	31	70	35	6	75	33	70	199	6	5	150	159	200.5	212.5	1503



Unit: mm

Stroke	F	FF	G	GA	H	J	JA	K	KA	M	N	NN	P	Q	Z	ZZ	Weight (g)
30	50	40	30.5	45	45	4	40	32.5	45	92	4	2	40	60	94.5	112	1743
50	35	35	41	35	35	4	80	43	35	115	6	3	80	80	117.5	135	2030
75	60	60	41	70	35	6	120	43	70	156	6	4	120	111	158.5	176	2680
100	70	70	41	70	35	6	160	43	70	197	6	5	160	134	199.5	217	3380