

YR240

Brass ball valve 2/2 with rotary actuator

- Full-bore ball valve
- Anti-blowout stem
- Top-flange according to DIN-ISO 5211



TECHNICAL CHARACTERISTICS

| | |
|------------------|--|
| Temperature | -20 ÷ 120 °C |
| Fluid | air, water, etc |
| Working pressure | Max PN 40 |
| Thread ends | GAS UNI 338 - ISO R/228 - DIN 259 - BSPP |
| Rotary angle | 90° |
| Flow direction | both directions |

CONSTRUCTIVE CHARACTERISTICS

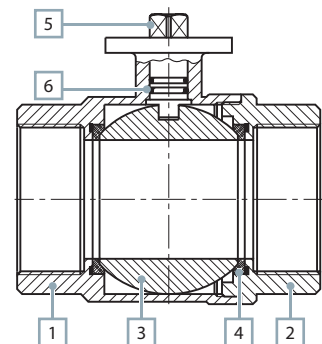
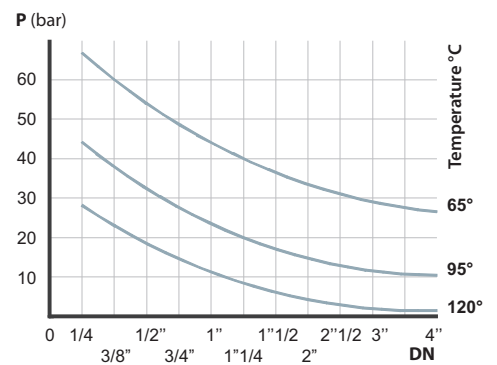
| | |
|-----------------|---------------------------|
| Body | hot pressed brass (1) |
| End cap | hot pressed brass (2) |
| Ball | chromium-plated brass (3) |
| Seat ring | P.T.F.E. (4) |
| Piston rod | brass (5) |
| Piston rod ring | viton (6) |

CODIFICATION KEY

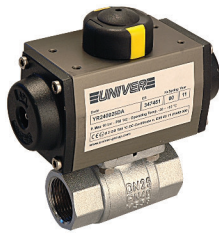
| | | | | | | | | | |
|---|---|---|---|---|---|---|---|---|---|
| Y | R | 2 | 4 | 0 | 0 | 1 | 0 | D | A |
| 1 | | | 2 | | | | 3 | | |

| 1 Series | 2 Size | 3 Version |
|--|--|--|
| YR240 = Brass ball valve 2/2 with rotary actuator | 008 = 8 mm 010 = 10 mm 015 = 15 mm 020 = 20 mm 025 = 25 mm 032 = 32 mm 040 = 40 mm 050 = 50 mm 065 = 65 mm 080 = 80 mm 100 = 100 mm | DA = double acting SR = single acting |

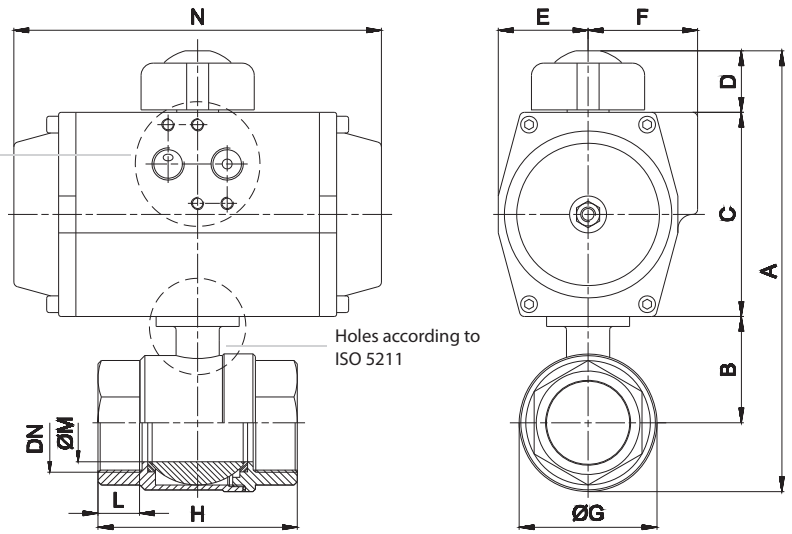
Pressure - temperature diagram



Double acting/single acting



NAMUR connection



Holes according to ISO 5211

Double acting

| Ø | DN | A | B | C | D | E | F | ØG | H | L | ØM | N | Part no. |
|-----|---------|-------|------|-----|----|------|------|-----|-----|----|-----|-----|------------|
| 8 | G 1/4 | 114 | 29 | 45 | 24 | 22,5 | 22,5 | 32 | 65 | 17 | 15 | 142 | YR240008DA |
| 10 | G 3/8 | 114 | 29 | 45 | 24 | 22,5 | 22,5 | 32 | 65 | 17 | 15 | 142 | YR240010DA |
| 15 | G 1/2 | 136 | 29 | 67 | 24 | 30 | 41 | 32 | 65 | 17 | 15 | 142 | YR240015DA |
| 20 | G 3/4 | 143 | 32 | 67 | 24 | 30 | 41 | 40 | 75 | 19 | 20 | 142 | YR240020DA |
| 25 | G 1 | 150,5 | 36 | 67 | 24 | 30 | 41 | 47 | 86 | 21 | 25 | 155 | YR240025DA |
| 32 | G 1 1/4 | 160,5 | 41 | 67 | 24 | 30 | 41 | 57 | 95 | 22 | 32 | 155 | YR240032DA |
| 40 | G 1 1/2 | 198,5 | 57 | 83 | 24 | 36,5 | 44,5 | 69 | 101 | 22 | 38 | 213 | YR240040DA |
| 50 | G 2 | 212 | 64 | 83 | 24 | 36,5 | 44,5 | 82 | 120 | 25 | 47 | 213 | YR240050DA |
| 65 | G 2 1/2 | 265,5 | 85 | 100 | 24 | 42,5 | 49,5 | 113 | 165 | 30 | 65 | 276 | YR240065DA |
| 80 | G 3 | 296 | 94.5 | 110 | 24 | 49 | 53 | 135 | 188 | 33 | 80 | 366 | YR240080DA |
| 100 | G 4 | 348 | 116 | 125 | 24 | 55 | 58 | 166 | 225 | 39 | 100 | 366 | YR240100DA |

Single acting

| Ø | DN | A | B | C | D | E | F | ØG | H | L | ØM | N | Part no. |
|-----|---------|-------|------|-----|----|------|------|-----|-----|----|-----|-----|------------|
| 8 | G 1/4 | 136 | 29 | 67 | 24 | 30 | 41 | 32 | 65 | 17 | 15 | 142 | YR240008SR |
| 10 | G 3/8 | 136 | 29 | 67 | 24 | 30 | 41 | 32 | 65 | 17 | 15 | 142 | YR240010SR |
| 15 | G 1/2 | 136 | 29 | 67 | 24 | 30 | 41 | 32 | 65 | 17 | 15 | 142 | YR240015SR |
| 20 | G 3/4 | 143 | 32 | 67 | 24 | 30 | 41 | 40 | 75 | 19 | 20 | 142 | YR240020SR |
| 25 | G 1 | 166,5 | 36 | 83 | 24 | 30 | 41 | 47 | 86 | 21 | 25 | 155 | YR240025SR |
| 32 | G 1 1/4 | 176,5 | 41 | 83 | 24 | 36,5 | 44,5 | 57 | 95 | 22 | 32 | 155 | YR240032SR |
| 40 | G 1 1/2 | 215,5 | 57 | 100 | 24 | 42,5 | 49,5 | 69 | 101 | 22 | 38 | 213 | YR240040SR |
| 50 | G 2 | 229 | 64 | 100 | 24 | 42,5 | 49,5 | 82 | 120 | 25 | 47 | 213 | YR240050SR |
| 65 | G 2 1/2 | 290,5 | 85 | 125 | 24 | 55 | 58 | 113 | 165 | 30 | 65 | 276 | YR240065SR |
| 80 | G 3 | 351 | 94.5 | 155 | 34 | 70 | 70 | 135 | 188 | 33 | 80 | 366 | YR240080SR |
| 100 | G 4 | 388 | 116 | 155 | 34 | 70 | 70 | 166 | 225 | 39 | 100 | 366 | YR240100SR |

Actuator sizing: air supply actuator 5,5 bar (80 psi) min. with ΔP valve 16 bar (232 psi) max

YR250

Ball valve 2/2 AISI 316 with manual lever or rotary actuator

- Full-bore ball valve
- Anti-blowout stem
- Antistatic device
- Top-flange according to DIN-ISO 5211
- Stem sealing with Chevron rings



TECHNICAL CHARACTERISTICS

| | |
|------------------|--|
| Temperature | -20 ÷ 200 °C |
| Fluid | air, water, chemical agents, etc |
| Working pressure | Max PN 63 |
| Thread ends | GAS UNI 338 - ISO R/228 - DIN 259 - BSPP |
| Rotary angle | 90° |
| Flow direction | both directions |

CONSTRUCTIVE CHARACTERISTICS

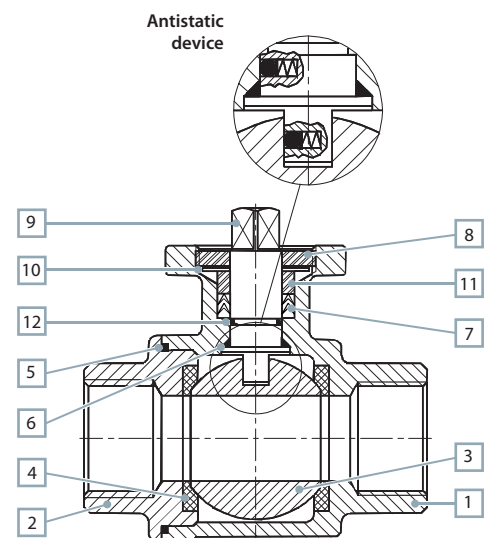
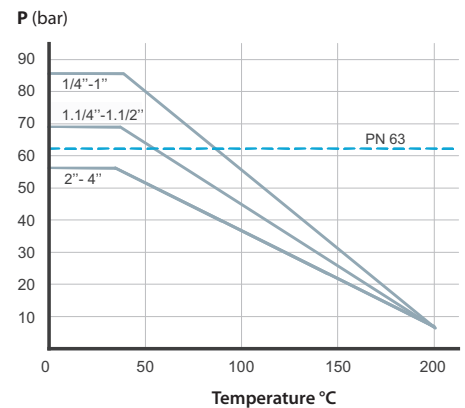
| | |
|---------------|---------------------------------|
| Body | CF8M (1) |
| End cap | CF8M (2) |
| Ball | stainless steel (AISI 316) (3) |
| Gasket | 15% R - P.T.F.E.* (4) |
| Seat ring | P.T.F.E. (5) |
| Thrust washer | P.T.F.E. (6) |
| Gland packing | P.T.F.E. (7) |
| Gland nut | stainless steel (AISI 304) (8) |
| Piston rod | stainless steel (AISI 304) (9) |
| Washer | stainless steel (AISI 304) (10) |
| Gland ring | stainless steel (AISI 304) (11) |
| O-ring | viton (12) |

CODIFICATION KEY

| | | | | | | | | | |
|---|---|---|---|---|---|---|---|---|---|
| Y | R | 2 | 5 | 0 | 0 | 1 | 0 | D | A |
| 1 | | | 2 | | | | 3 | | |

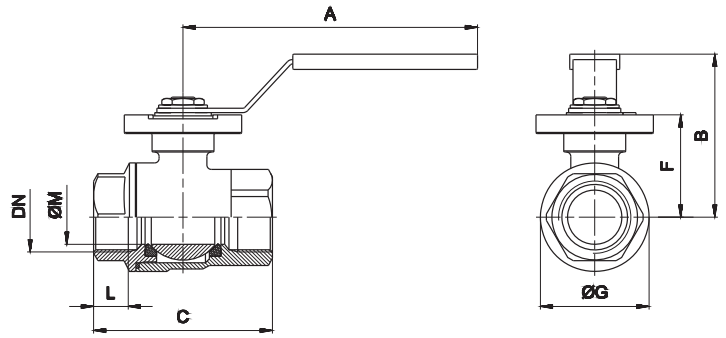
| 1 Series | 2 Size | 3 Version |
|--|---|---|
| YR250 = Ball valve 2/2 AISI 316 with manual lever or rotary actuator | 008 = 8 mm 010 = 10 mm 015 = 15 mm 020 = 20 mm 025 = 25 mm 032 = 32 mm 040 = 40 mm 050 = 50 mm 065 = 65 mm 080 = 80 mm | LM = manual lever DA = double acting SR = single acting |

Pressure - temperature diagram



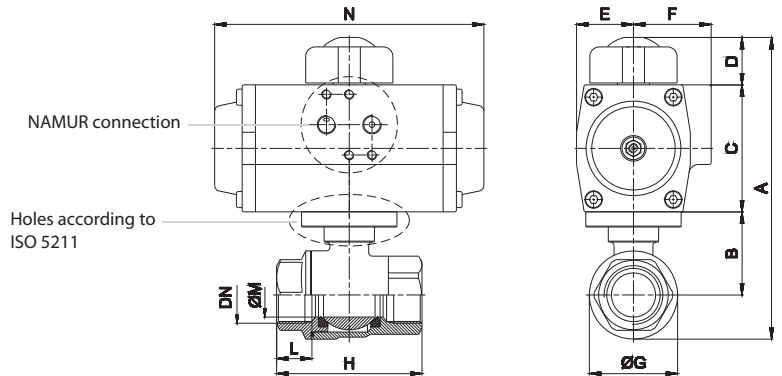
* R-P.T.F.E.: Reinforced P.T.F.E. (15% glass fibre)

With lever



| Ø | DN | A | B | C | L | ØM | F | ØG | Square | ISO 5211 | Part no. |
|----|---------|-----|-----|-----|------|------|-----|-----|--------|-----------|------------|
| 8 | G 1/4 | 120 | 59 | 47 | 9,7 | 11 | 36 | 42 | 9 | F03 | YR250008LM |
| 10 | G 3/8 | 120 | 59 | 47 | 10,1 | 12,5 | 36 | 42 | 9 | F03 | YR250010LM |
| 15 | G 1/2 | 120 | 63 | 57 | 13,2 | 15 | 38 | 36 | 9 | F03 - F04 | YR250015LM |
| 20 | G 3/4 | 120 | 70 | 64 | 14,5 | 20 | 42 | 44 | 9 | F03 - F04 | YR250020LM |
| 25 | G 1 | 140 | 74 | 77 | 16,8 | 25 | 45 | 51 | 11 | F04 - F05 | YR250025LM |
| 32 | G 1 1/4 | 150 | 88 | 90 | 19,1 | 32 | 56 | 64 | 11 | F04 - F05 | YR250032LM |
| 40 | G 1 1/2 | 200 | 94 | 105 | 19,1 | 40 | 62 | 77 | 14 | F05 - F07 | YR250040LM |
| 50 | G 2 | 200 | 102 | 122 | 23,4 | 50 | 70 | 92 | 14 | F05 - F07 | YR250050LM |
| 65 | G 2 1/2 | 255 | 140 | 154 | 26,7 | 65 | 95 | 112 | 17 | F07 - F10 | YR250065LM |
| 80 | G 3 | 255 | 153 | 173 | 29,8 | 76 | 120 | 140 | 17 | F07 - F10 | YR250080LM |

Double acting/single acting



Double acting

| Ø | DN | A | B | C | D | E | F | ØG | H | L | ØM | N | Part no. |
|----|---------|-------|-----|-----|----|------|------|-----|-----|------|------|-----|------------|
| 8 | G 1/4 | 126 | 36 | 45 | 24 | 22,5 | 28,5 | 42 | 47 | 9,7 | 11 | 115 | YR250008DA |
| 10 | G 3/8 | 126 | 36 | 45 | 24 | 22,5 | 28,5 | 42 | 47 | 10,1 | 12,5 | 115 | YR250010DA |
| 15 | G 1/2 | 147 | 38 | 67 | 24 | 30 | 41 | 36 | 57 | 13,2 | 15 | 142 | YR250015DA |
| 20 | G 3/4 | 155 | 42 | 67 | 24 | 30 | 41 | 44 | 64 | 14,5 | 20 | 142 | YR250020DA |
| 25 | G 1 | 161,5 | 45 | 67 | 24 | 30 | 41 | 51 | 77 | 16,8 | 25 | 142 | YR250025DA |
| 32 | G 1 1/4 | 195 | 56 | 83 | 24 | 36,5 | 44,5 | 64 | 90 | 19,1 | 32 | 155 | YR250032DA |
| 40 | G 1 1/2 | 207,5 | 62 | 83 | 24 | 36,5 | 44,5 | 77 | 105 | 19,1 | 40 | 155 | YR250040DA |
| 50 | G 2 | 240 | 70 | 100 | 24 | 42,5 | 49,5 | 92 | 122 | 23,4 | 50 | 213 | YR250050DA |
| 65 | G 2 1/2 | 285 | 95 | 110 | 24 | 49 | 53 | 112 | 154 | 26,7 | 65 | 236 | YR250065DA |
| 80 | G 3 | 324 | 120 | 110 | 24 | 49 | 53 | 140 | 173 | 29,8 | 80 | 236 | YR250080DA |

Single acting

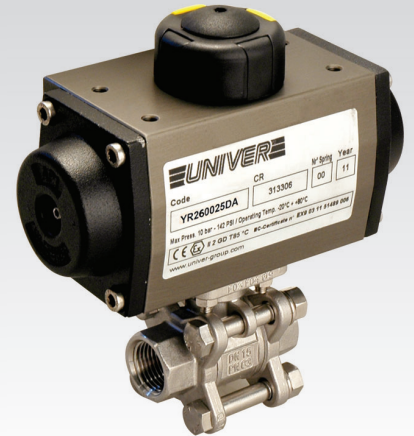
| Ø | DN | A | B | C | D | E | F | ØG | H | L | ØM | N | Part no. |
|----|---------|-------|-----|-----|----|------|------|-----|-----|------|------|-----|------------|
| 8 | G 1/4 | 148 | 36 | 67 | 24 | 30 | 41 | 42 | 47 | 9,7 | 11 | 142 | YR250008SR |
| 10 | G 3/8 | 148 | 36 | 67 | 24 | 30 | 41 | 42 | 47 | 10,1 | 12,5 | 142 | YR250010SR |
| 15 | G 1/2 | 147 | 38 | 67 | 24 | 30 | 41 | 36 | 57 | 13,2 | 15 | 142 | YR250015SR |
| 20 | G 3/4 | 171 | 42 | 83 | 24 | 36,5 | 44,5 | 44 | 64 | 14,5 | 20 | 155 | YR250020SR |
| 25 | G 1 | 177,5 | 45 | 83 | 24 | 36,5 | 44,5 | 51 | 77 | 16,8 | 25 | 155 | YR250025SR |
| 32 | G 1 1/4 | 212 | 56 | 100 | 24 | 42,5 | 49,5 | 64 | 90 | 19,1 | 32 | 213 | YR250032SR |
| 40 | G 1 1/2 | 224,5 | 62 | 100 | 24 | 42,5 | 49,5 | 77 | 105 | 19,1 | 40 | 213 | YR250040SR |
| 50 | G 2 | 250 | 70 | 110 | 24 | 49 | 53 | 92 | 122 | 23,4 | 50 | 236 | YR250050SR |
| 65 | G 2 1/2 | 300 | 95 | 125 | 24 | 55 | 58 | 112 | 154 | 26,7 | 65 | 276 | YR250065SR |
| 80 | G 3 | 369 | 120 | 155 | 24 | 70 | 70 | 140 | 173 | 29,8 | 80 | 366 | YR250080SR |

Actuator sizing: air supply actuator 5.5 bar (80 psi) min.with ΔP valve 16 bar (232 psi) max

YR260

Ball valve 2/2 AISI 316 (3 pieces) with manual lever or rotary actuator

- Full-bore ball valve
- Anti-blowout stem
- Antistatic device
- Top-flange according to DIN-ISO 5211
- Stem sealing with Chevron rings



TECHNICAL CHARACTERISTICS

| | |
|------------------|--|
| Temperature | -25 ÷ 200 °C |
| Fluid | air, water, chemical agents, etc |
| Working pressure | Max PN 63 |
| Thread ends | GAS UNI 338 - ISO R/228 - DIN 259 - BSPP |
| Rotary angle | 90° |
| Flow direction | both directions |

CONSTRUCTIVE CHARACTERISTICS

| | |
|---------------|---------------------------------|
| Body | CF8M (1) |
| End cap | CF8M (2) |
| Ball | stainless steel (AISI 316) (3) |
| Washer | stainless steel (AISI 304) (4) |
| Nut | stainless steel (AISI 304) (5) |
| Screw | stainless steel (AISI 304) (6) |
| Gasket | 15% R - P.T.F.E.* (7) |
| Seat ring | P.T.F.E. (8) |
| Thrust washer | P.T.F.E. (9) |
| Piston rod | stainless steel (AISI 304) (10) |
| O-ring | viton (11) |
| Packing | P.T.F.E. (12) |
| Gland ring | stainless steel (AISI 304) (13) |
| Washer | stainless steel (AISI 304) (14) |
| Gland nut | stainless steel (AISI 304) (15) |

CODIFICATION KEY

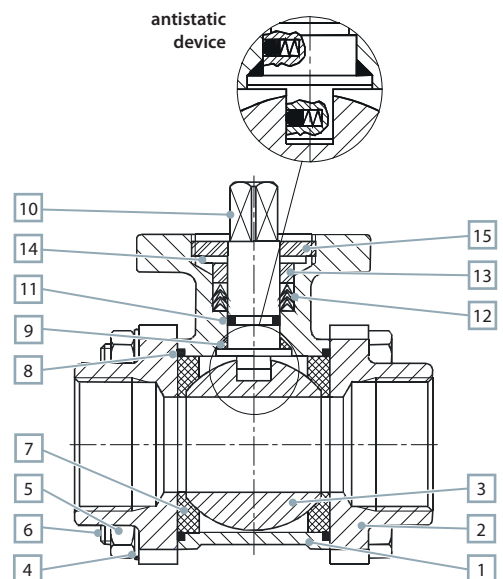
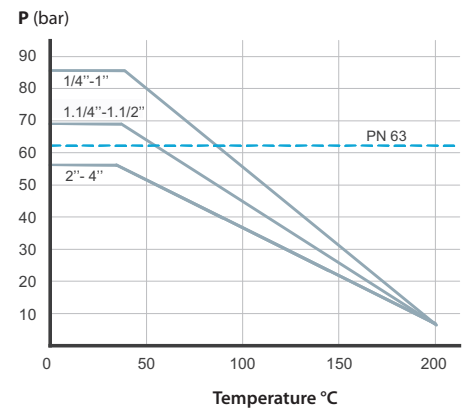
| | | | | | | | | | |
|---|---|---|---|---|---|---|---|---|---|
| Y | R | 2 | 6 | 0 | 0 | 1 | 0 | D | A |
| 1 | | | 2 | | | | 3 | | |

| 1 Series | 2 Size | 3 Version |
|---|---|---|
| YR260 = Ball valve 2/2 AISI 316 (3 pieces) with manual lever or rotary actuator | 008 = 8 mm 010 = 10 mm 015 = 15 mm 020 = 20 mm 025 = 25 mm 032 = 32 mm 040 = 40 mm 050 = 50 mm 065 = 65 mm 080 = 80 mm | LM = manual lever DA = double acting SR = single acting |

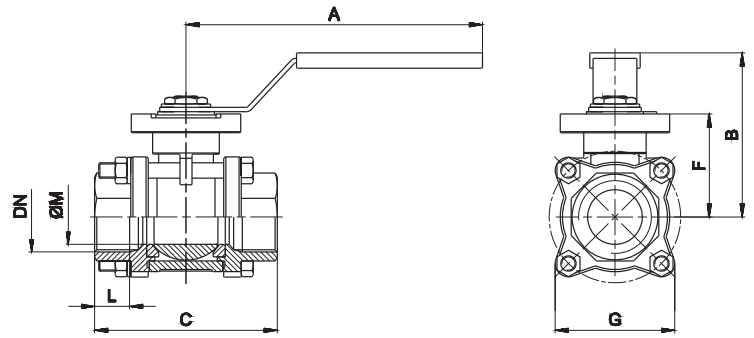
* R-P.T.F.E.: Reinforced P.T.F.E. (15% glass fibre)

Subject to change

Pressure - temperature diagram

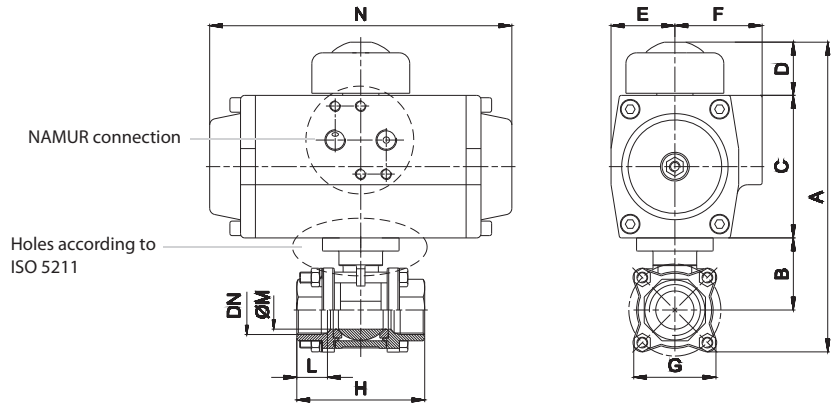


With lever



| Ø | DN | A | B | C | L | ØM | F | G | Square | ISO 5211 | Part no. |
|----|---------|-----|-----|-----|------|------|-----|-----|--------|-----------|------------|
| 8 | G 1/4 | 120 | 59 | 47 | 9,7 | 11 | 36 | 42 | 9 | F03 | YR260008LM |
| 10 | G 3/8 | 120 | 59 | 47 | 10,1 | 12,5 | 36 | 42 | 9 | F03 | YR260010LM |
| 15 | G 1/2 | 120 | 63 | 54 | 13,2 | 15 | 38 | 50 | 9 | F03 | YR260015LM |
| 20 | G 3/4 | 140 | 70 | 73 | 14,5 | 20 | 42 | 54 | 11 | F04 - F05 | YR260020LM |
| 25 | G 1 | 140 | 74 | 79 | 16,8 | 25 | 45 | 58 | 11 | F04 - F05 | YR260025LM |
| 32 | G 1 1/4 | 204 | 88 | 90 | 19,1 | 32 | 56 | 72 | 14 | F05 - F07 | YR260032LM |
| 40 | G 1 1/2 | 204 | 94 | 102 | 19,1 | 40 | 62 | 80 | 14 | F05 - F07 | YR260040LM |
| 50 | G 2 | 204 | 102 | 118 | 23,4 | 50 | 70 | 92 | 14 | F05 - F07 | YR260050LM |
| 65 | G 2 1/2 | 255 | 140 | 149 | 26,7 | 65 | 102 | 120 | 17 | F07 - F10 | YR260065LM |
| 80 | G 3 | 255 | 153 | 180 | 29,8 | 80 | 112 | 194 | 17 | F07 - F10 | YR260080LM |

Double acting/single acting



Double acting

| Ø | DN | A | B | C | D | E | F | ØG | H | L | ØM | N | Part no. |
|----|---------|-----|-----|-----|----|------|------|-----|-----|------|------|-----|------------|
| 8 | G 1/4 | 126 | 36 | 45 | 24 | 22,5 | 28,5 | 42 | 47 | 9,7 | 11 | 115 | YR260008DA |
| 10 | G 3/8 | 126 | 36 | 45 | 24 | 22,5 | 28,5 | 42 | 47 | 10,1 | 12,5 | 115 | YR260010DA |
| 15 | G 1/2 | 154 | 38 | 67 | 24 | 30 | 41 | 50 | 54 | 13,2 | 15 | 142 | YR260015DA |
| 20 | G 3/4 | 160 | 42 | 67 | 24 | 30 | 41 | 54 | 73 | 14,5 | 20 | 142 | YR260020DA |
| 25 | G 1 | 165 | 45 | 67 | 24 | 30 | 41 | 58 | 79 | 16,8 | 25 | 142 | YR260025DA |
| 32 | G 1 1/4 | 199 | 56 | 83 | 24 | 36,5 | 44,5 | 72 | 90 | 19,1 | 32 | 155 | YR260032DA |
| 40 | G 1 1/2 | 209 | 62 | 83 | 24 | 36,5 | 44,5 | 80 | 102 | 19,1 | 40 | 155 | YR260040DA |
| 50 | G 2 | 240 | 70 | 100 | 24 | 42,5 | 49,5 | 92 | 118 | 23,4 | 50 | 213 | YR260050DA |
| 65 | G 2 1/2 | 296 | 102 | 110 | 24 | 49 | 53 | 120 | 149 | 26,7 | 65 | 236 | YR260065DA |
| 80 | G 3 | 343 | 112 | 110 | 24 | 49 | 53 | 194 | 180 | 29,8 | 80 | 236 | YR260080DA |

Single acting

| Ø | DN | A | B | C | D | E | F | ØG | H | L | ØM | N | Part no. |
|----|---------|-----|-----|-----|----|------|------|-----|-----|------|------|-----|------------|
| 8 | G 1/4 | 148 | 36 | 67 | 24 | 30 | 41 | 42 | 47 | 9,7 | 11 | 142 | YR260008SR |
| 10 | G 3/8 | 148 | 36 | 67 | 24 | 30 | 41 | 42 | 47 | 10,1 | 12,5 | 142 | YR260010SR |
| 15 | G 1/2 | 154 | 38 | 67 | 24 | 30 | 41 | 50 | 54 | 13,2 | 15 | 142 | YR260015SR |
| 20 | G 3/4 | 176 | 42 | 83 | 24 | 36,5 | 44,5 | 54 | 73 | 14,5 | 20 | 155 | YR260020SR |
| 25 | G 1 | 181 | 45 | 83 | 24 | 36,5 | 44,5 | 58 | 79 | 16,8 | 25 | 155 | YR260025SR |
| 32 | G 1 1/4 | 216 | 56 | 100 | 24 | 42,5 | 44,5 | 72 | 90 | 19,1 | 32 | 213 | YR260032SR |
| 40 | G 1 1/2 | 226 | 62 | 100 | 24 | 42,5 | 49,5 | 80 | 102 | 19,1 | 40 | 213 | YR260040SR |
| 50 | G 2 | 250 | 70 | 110 | 24 | 49 | 53 | 92 | 118 | 23,4 | 50 | 236 | YR260050SR |
| 65 | G 2 1/2 | 311 | 102 | 125 | 24 | 55 | 58 | 120 | 149 | 26,7 | 65 | 276 | YR260065SR |
| 80 | G 3 | 388 | 112 | 155 | 24 | 70 | 70 | 194 | 180 | 29,8 | 80 | 366 | YR260080SR |

Actuator sizing: air supply actuator 5.5 bar (80 psi) min. with ΔP valve 16 bar (232 psi) max

YR270

L-shaped ball valve 3/2 AISI 316 with manual lever or rotary actuator

- Full-bore ball valve
- Anti-blowout stem
- Antistatic device
- Top-flange according to DIN-ISO 5211
- Stem sealing with Chevron rings



TECHNICAL FEATURES

| | |
|------------------|--|
| Temperature | -15 ÷ 230 °C |
| Fluid | air, water, chemical agents, etc. |
| Working pressure | Max PN 64 |
| Thread ends | GAS UNI 338 - ISO R/228 - DIN 259 - BSPP |
| Rotary angle | 90° |
| Flow direction | both directions |

CONSTRUCTIVE FEATURES

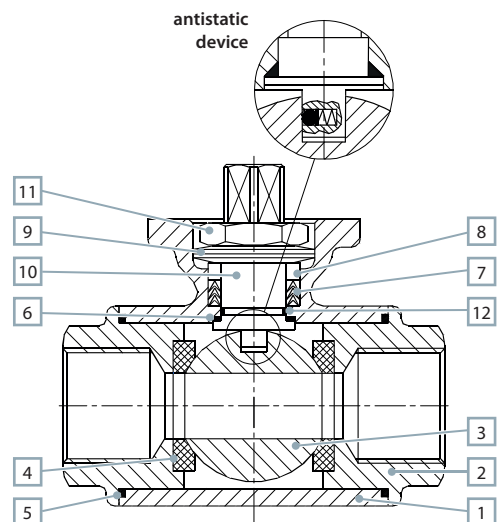
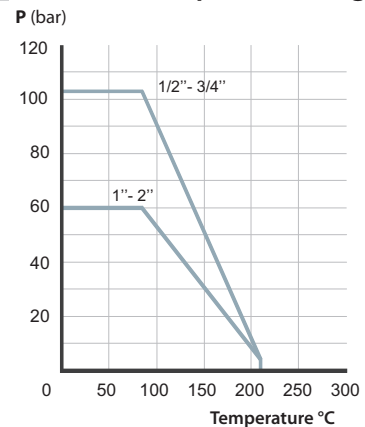
| | |
|---------------|---------------------------------|
| Body | stainless steel (AISI 316) (1) |
| End cap | stainless steel (AISI 316) (2) |
| Ball | stainless steel (AISI 316) (3) |
| Seat ring | P.T.F.E. (4) |
| Body seal | P.T.F.E. (5) |
| Thrust washer | P.T.F.E. (6) |
| Stem packing | P.T.F.E. (7) |
| Gland ring | P.T.F.E. (8) |
| Bevel washer | stainless steel (AISI 410) (9) |
| Piston rod | stainless steel (AISI 316) (10) |
| Lock nut | stainless steel (AISI 304) (11) |
| O-ring | viton (12) |

CODIFICATION KEY

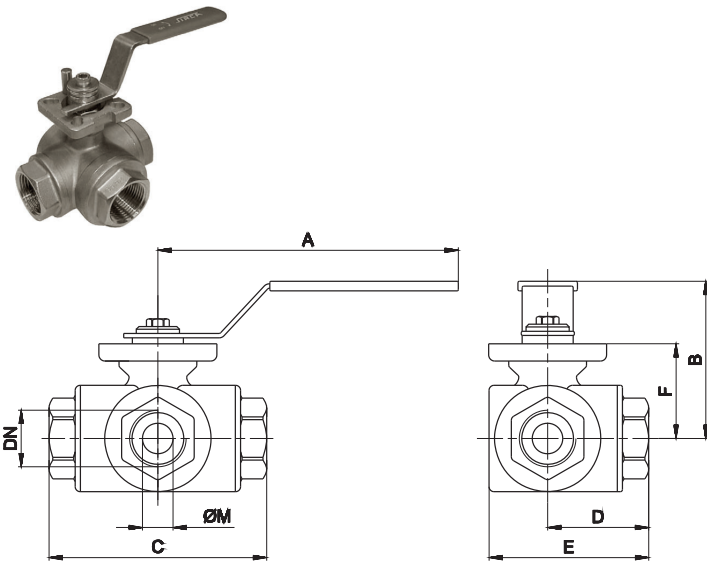
| | | | | | | | | | |
|---|---|---|---|---|---|---|---|---|---|
| Y | R | 2 | 7 | 0 | 0 | 1 | 0 | D | A |
| 1 | | | 2 | | | 3 | | | |

| 1 Series | 2 Size | 3 Version |
|---|---|---|
| YR270 = L-shaped ball valve 3/2 AISI 316 with manual lever or rotary actuator | 008 = 8 mm 010 = 10 mm 015 = 15 mm 020 = 20 mm 025 = 25 mm 032 = 32 mm 040 = 40 mm 050 = 50 mm | LM = manual lever DA = double acting SR = single acting |

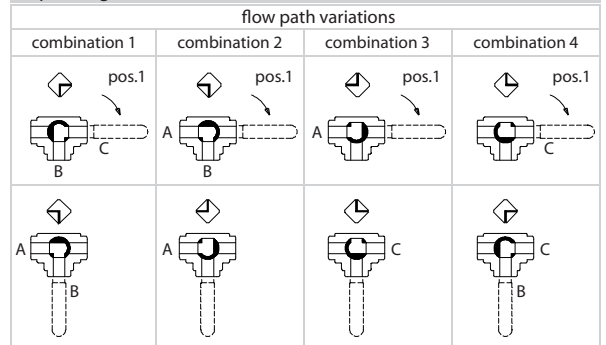
Pressure - temperature diagram



With lever



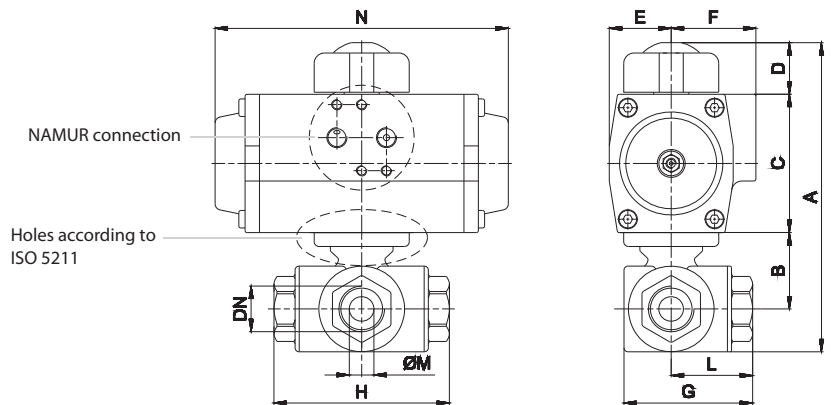
Operating draft



The ball holes position is showed on the stem milling
 A, B, C = outlets Lever rotation: 90°
 To change outlets combination please operate as follow:
 - remove the lever
 - turn the stem into the desired starting position (pos.1)
 - reset the lever

| Ø | DN | A | B | C | D | E | F | ØM | Square | ISO 5211 | Part no. |
|----|---------|-----|-------|-------|------|-------|------|------|--------|-----------|------------|
| 8 | G 1/4 | 115 | 80,5 | 75,7 | 38,5 | 61 | 40,5 | 9,5 | 9 | F04 | YR270008LM |
| 10 | G 3/8 | 115 | 80,5 | 75,7 | 38,5 | 61 | 40,5 | 11 | 9 | F04 | YR270010LM |
| 15 | G 1/2 | 115 | 80,5 | 75,7 | 38,5 | 61 | 40,5 | 12,7 | 9 | F04 | YR270015LM |
| 20 | G 3/4 | 115 | 86 | 86,5 | 44,5 | 73 | 45 | 16 | 9 | F04 | YR270020LM |
| 25 | G 1 | 135 | 94,5 | 102,5 | 52 | 83 | 56,5 | 20 | 9 | F05 | YR270025LM |
| 32 | G 1 1/4 | 180 | 103 | 118,5 | 58,5 | 96 | 60,5 | 25 | 11 | F04 - F05 | YR270032LM |
| 40 | G 1 1/2 | 205 | 124,5 | 126 | 64,5 | 106,5 | 78,5 | 32 | 11 | F05 - F07 | YR270040LM |
| 50 | G 2 | 205 | 131 | 149 | 75 | 126 | 87 | 38,1 | 14 | F05 - F07 | YR270050LM |

Double acting/single acting



Double acting

| Ø | DN | A | B | C | D | E | F | G | H | L | ØM | N | Part no. |
|----|---------|-----|------|-----|----|------|------|-------|------|------|------|-----|------------|
| 8 | G 1/4 | 157 | 40,5 | 67 | 24 | 30 | 41 | 61 | 75,7 | 38,5 | 9,5 | 142 | YR270008DA |
| 10 | G 3/8 | 157 | 40,5 | 67 | 24 | 30 | 41 | 61 | 75,7 | 38,5 | 11 | 142 | YR270010DA |
| 15 | G 1/2 | 157 | 40,5 | 67 | 24 | 30 | 41 | 61 | 75,7 | 38,5 | 12,7 | 142 | YR270015DA |
| 20 | G 3/4 | 177 | 45 | 83 | 24 | 36,5 | 44,5 | 73 | 86,5 | 44,5 | 16 | 155 | YR270020DA |
| 25 | G 1 | 196 | 56,5 | 83 | 24 | 36,5 | 44,5 | 83 | 103 | 52 | 20 | 155 | YR270025DA |
| 32 | G 1 1/4 | 208 | 60,5 | 83 | 24 | 36,5 | 44,5 | 96 | 119 | 58,5 | 25 | 155 | YR270032DA |
| 40 | G 1 1/2 | 244 | 78,5 | 100 | 24 | 42,5 | 49,5 | 106,5 | 126 | 64,5 | 32 | 213 | YR270040DA |
| 50 | G 2 | 291 | 87 | 125 | 24 | 55 | 58 | 126 | 149 | 75 | 38,1 | 276 | YR270050DA |

Single acting

| Ø | DN | A | B | C | D | E | F | G | H | L | ØM | N | Part no. |
|----|---------|-----|------|-----|----|------|------|-------|------|------|------|-----|------------|
| 8 | G 1/4 | 173 | 40,5 | 83 | 24 | 36,5 | 44,5 | 61 | 75,7 | 38,5 | 9,5 | 155 | YR270008SR |
| 10 | G 3/8 | 173 | 40,5 | 83 | 24 | 36,5 | 44,5 | 61 | 75,7 | 38,5 | 11 | 155 | YR270010SR |
| 15 | G 1/2 | 173 | 40,5 | 83 | 24 | 36,5 | 44,5 | 61 | 75,7 | 38,5 | 12,7 | 155 | YR270015SR |
| 20 | G 3/4 | 194 | 45 | 100 | 24 | 42,5 | 49,5 | 73 | 86,5 | 44,5 | 16 | 213 | YR270020SR |
| 25 | G 1 | 206 | 56,5 | 100 | 24 | 42,5 | 49,5 | 83 | 103 | 52 | 20 | 213 | YR270025SR |
| 32 | G 1 1/4 | 225 | 60,5 | 100 | 24 | 42,5 | 49,5 | 96 | 119 | 58,5 | 25 | 213 | YR270032SR |
| 40 | G 1 1/2 | 254 | 78,5 | 110 | 24 | 49 | 53 | 106,5 | 126 | 64,5 | 32 | 236 | YR270040SR |
| 50 | G 2 | 318 | 87 | 142 | 34 | 64 | 69 | 126 | 149 | 75 | 38,1 | 310 | YR270050SR |

Actuator sizing: air supply actuator 5.5 bar (80 psi) min. with ΔP valve 16 bar (232 psi) max

YR280

Brass L-shaped ball valve 3/2 with manual lever or rotary actuator

- Full-bore ball valve
- Anti-blowout stem
- Antistatic device
- Top-flange according to DIN-ISO 5211



TECHNICAL FEATURES

| | | | |
|------------------|----------------------------------|------------|------------------------|
| Temperature | -20 ÷ 160 °C | | |
| Fluid | air, water, chemical agents, etc | | |
| Working pressure | DN 1/4" ÷ DN3/4" PN30 | DN 1" PN16 | DN 1 1/4" ÷ DN 2" PN10 |
| Thread ends | UNI ISO 7/1-Rp - DIN 2999 (GAS) | | |
| Rotary angle | 90° | | |
| Flow direction | both directions | | |

CONSTRUCTIVE FEATURES

| | |
|---------------|-------------------------|
| Body | nickel-plated OT 58 (1) |
| End cap | nickel-plated OT 58 (2) |
| Ball | nickel-plated OT 58 (3) |
| Seat ring | P.T.F.E. (4) |
| Thrust washer | P.T.F.E. (5) |
| Gasket stem | P.T.F.E. (6) |
| Gland nut | nickel-plated OT 58 (7) |
| Piston rod | nickel-plated OT 58 (8) |
| O-ring | viton (9 - 10) |

CODIFICATION KEY

| | | | | | | | | | |
|---|---|---|---|---|---|---|---|---|---|
| Y | R | 2 | 8 | 0 | 0 | 1 | 0 | D | A |
| 1 | | | 2 | | | | 3 | | |

1 Series

YR280 = Brass L-shaped ball valve 3/2 with manual lever or rotary actuator

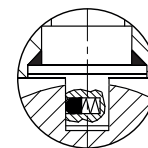
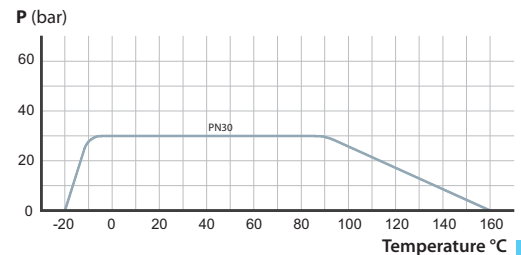
2 Size

- 008** = 8 mm
- 010** = 10 mm
- 015** = 15 mm
- 020** = 20 mm
- 025** = 25 mm
- 032** = 32 mm
- 040** = 40 mm
- 050** = 50 mm

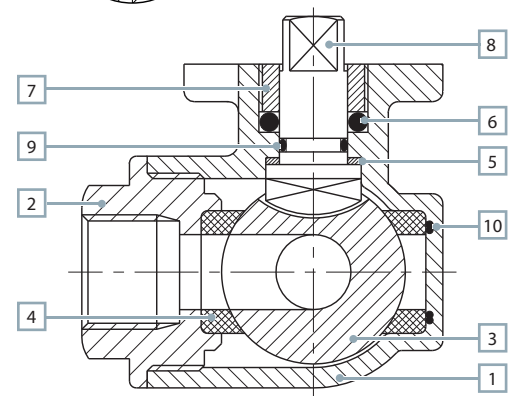
3 Version

- LM** = manual lever
- DA** = double acting
- SR** = single acting

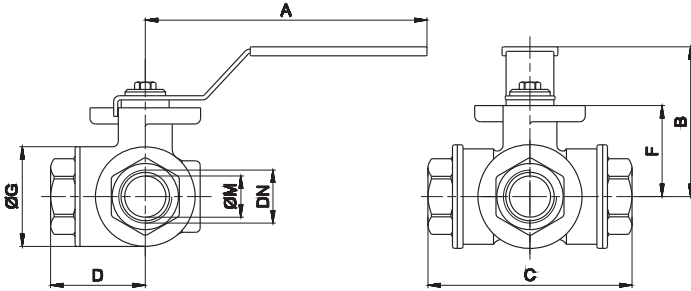
Pressure - temperature diagram



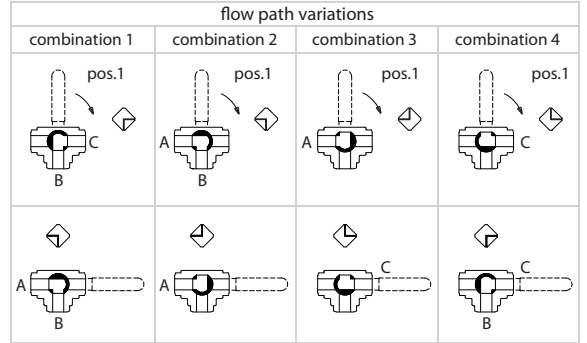
antistatic device



With manual lever



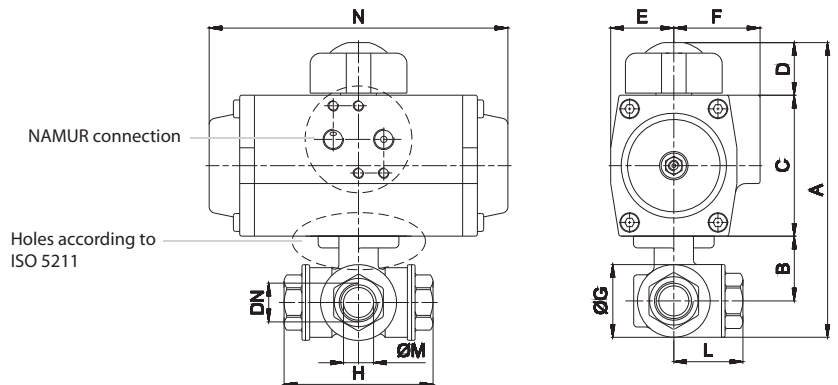
Operating draft



The ball holes position is showed on the stem milling
 A, B, C = outlets Lever rotation: 90°
 To change outlets combination please operate as follow:
 - remove the lever
 - turn the stem into the desired starting position (pos.1)
 - reset the lever

| Ø | DN | A | B | C | D | F | ØG | ØM | Square | ISO 5211 | Part no. |
|----|--------|-----|-------|-----|------|------|-----|----|--------|----------|------------|
| 8 | G1/4 | 120 | 59 | 65 | 53 | 32,5 | 34 | 10 | 9 | F03 | YR280008LM |
| 10 | G3/8 | 120 | 59 | 65 | 53 | 32,5 | 34 | 10 | 9 | F03 | YR280010LM |
| 15 | G1/2 | 120 | 62 | 78 | 60,5 | 32,5 | 40 | 14 | 9 | F03 | YR280015LM |
| 20 | G3/4 | 170 | 78 | 87 | 68 | 41,5 | 48 | 19 | 11 | F05 | YR280020LM |
| 25 | G1 | 170 | 83 | 105 | 82,5 | 47 | 60 | 24 | 11 | F05 | YR280025LM |
| 32 | G1 1/4 | 170 | 88 | 118 | 99 | 60 | 72 | 30 | 11 | F05 | YR280032LM |
| 40 | G1 1/2 | 220 | 111 | 134 | 114 | 74 | 86 | 38 | 14 | F07 | YR280040LM |
| 50 | G2 | 220 | 120,5 | 161 | 138 | 85 | 112 | 48 | 14 | F07 | YR280050LM |

Double acting/spring return



Double acting

| Ø | DN | A | B | C | D | E | F | ØG | H | L | ØM | N | Part no. |
|----|--------|-------|------|-----|----|------|------|-----|-----|------|----|-----|------------|
| 8 | G1/4 | 118,5 | 32,5 | 45 | 24 | 22,5 | 22,5 | 34 | 65 | 53 | 10 | 115 | YR280008DA |
| 10 | G3/8 | 118,5 | 32,5 | 45 | 24 | 22,5 | 22,5 | 34 | 65 | 53 | 10 | 115 | YR280010DA |
| 15 | G1/2 | 143,5 | 32,5 | 67 | 24 | 30 | 41 | 40 | 78 | 60,5 | 14 | 142 | YR280015DA |
| 20 | G3/4 | 172,5 | 41,5 | 83 | 24 | 36,5 | 44,5 | 48 | 87 | 68 | 19 | 155 | YR280020DA |
| 25 | G1 | 184 | 47 | 83 | 24 | 36,5 | 44,5 | 60 | 105 | 82,5 | 24 | 155 | YR280025DA |
| 32 | G1 1/4 | 203 | 60 | 83 | 24 | 36,5 | 44,5 | 72 | 118 | 99 | 30 | 155 | YR280032DA |
| 40 | G1 1/2 | 241 | 74 | 100 | 24 | 42,5 | 49,5 | 86 | 134 | 114 | 38 | 213 | YR280040DA |
| 50 | G2 | 265 | 85 | 100 | 24 | 42,5 | 49,5 | 112 | 161 | 138 | 48 | 213 | YR280050DA |

Spring return

| Ø | DN | A | B | C | D | E | F | ØG | H | L | ØM | N | Part no. |
|----|--------|-------|------|-----|----|------|------|-----|-----|------|----|-----|------------|
| 8 | G1/4 | 140,5 | 32,5 | 67 | 24 | 30 | 41 | 34 | 65 | 53 | 10 | 142 | YR280008SR |
| 10 | G3/8 | 140,5 | 32,5 | 67 | 24 | 30 | 41 | 34 | 65 | 53 | 10 | 142 | YR280010SR |
| 15 | G1/2 | 143,5 | 32,5 | 67 | 24 | 30 | 41 | 40 | 78 | 60,5 | 14 | 142 | YR280015SR |
| 20 | G3/4 | 172,5 | 41,5 | 83 | 24 | 36,5 | 44,5 | 48 | 87 | 68 | 19 | 155 | YR280020SR |
| 25 | G1 | 184 | 47 | 83 | 24 | 36,5 | 44,5 | 60 | 105 | 82,5 | 24 | 155 | YR280025SR |
| 32 | G1 1/4 | 220 | 60 | 100 | 24 | 42,5 | 49,5 | 72 | 118 | 99 | 30 | 213 | YR280032SR |
| 40 | G1 1/2 | 241 | 74 | 100 | 24 | 42,5 | 49,5 | 86 | 134 | 114 | 38 | 213 | YR280040SR |
| 50 | G2 | 275 | 85 | 100 | 24 | 49 | 53 | 112 | 161 | 138 | 48 | 236 | YR280050SR |

Actuator sizing: air supply actuator 5.5 bar (80 psi) min. with ΔP valve 16 bar (232 psi) max