



Order example * Made to order.

MCSF – 5 – 10

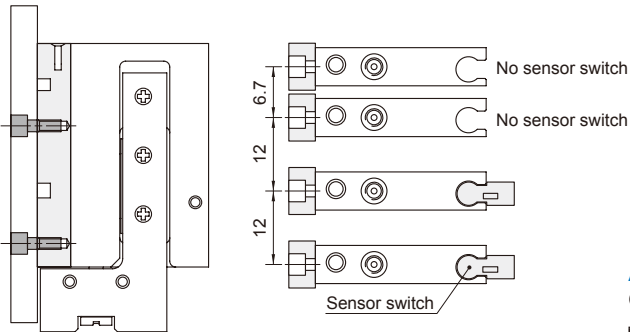
MODEL

TUBE I.D.
5: 5.2 mm

STROKE

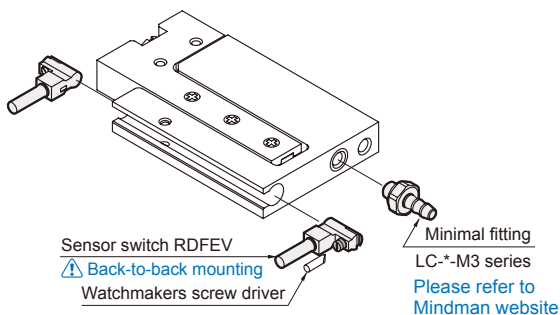
Installation

- Fixed screw tightening torque value
- Minimum distance of side installation



Tube I.D.	Bolt	Max. tightening torque (N.m)
5	M2×0.4	0.3

Installation of sensor switch



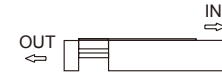
Features

- The thickness is 6.5mm, realizing the slim compact.
- Built-in guide for accurate motion.
- Flush fitting sensor groove.
- Magnetic as standard.

Specification

Model	MCSF
Acting type	Double acting
Tube I.D. (mm)	5.2
Stroke (mm)	10
Port size	M3×0.5
Medium	Air
Operating pressure range	0.2~0.7 MPa
Proof pressure	1 MPa
Ambient temperature	-10~+60°C (No freezing)
Available speed range	50~300 mm/sec
Cushion spring stroke (mm)	2
Cushion spring pressure (N)	0.8 at the time of withdrawal, 2 at the time of acting
Lubricator	Not required
Stroke length tolerance (mm)	+1.0 0
Sensor switch	RDFEV (Please refer to page 8-19)
Weight (g)	22

Theoretical force



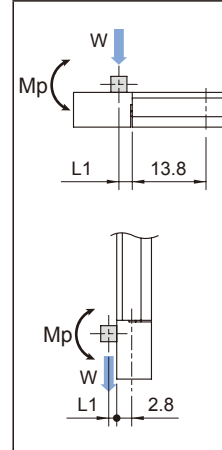
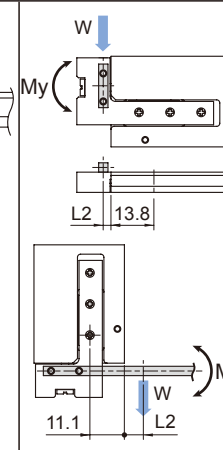
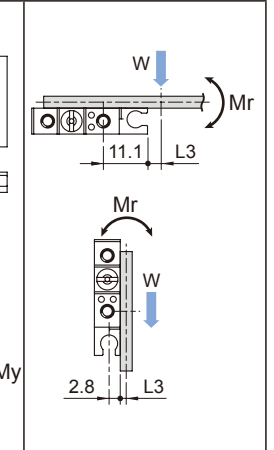
Unit: N

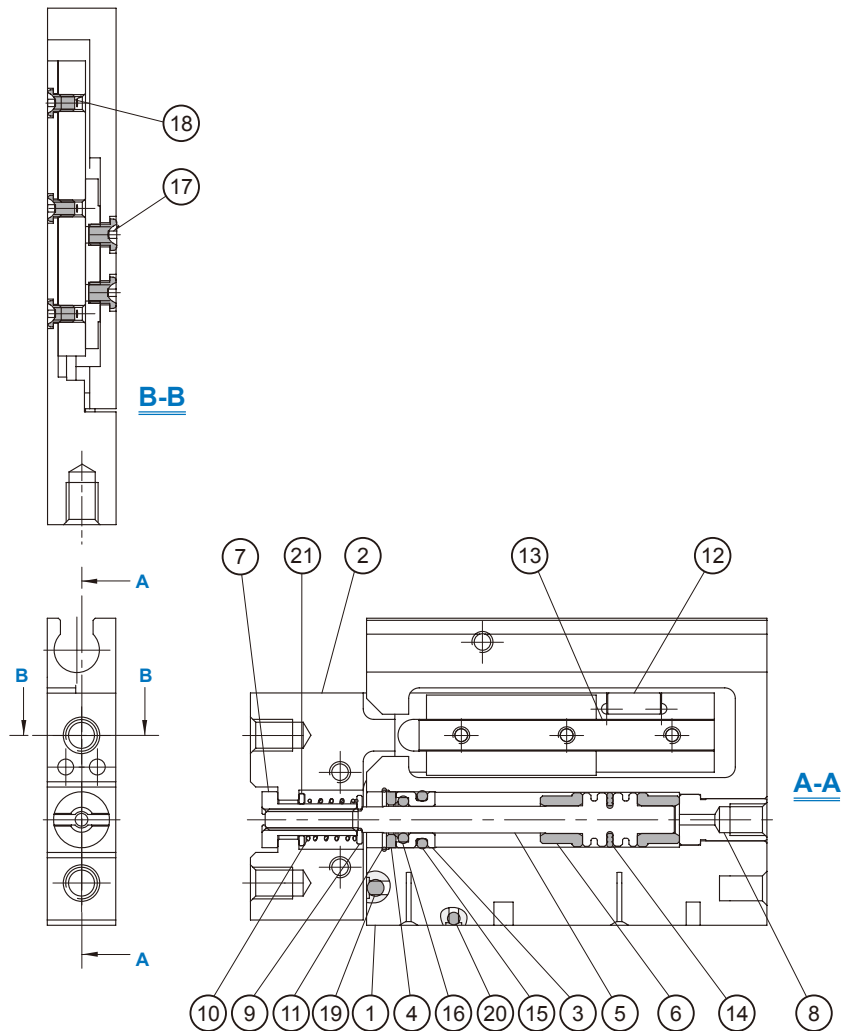
Tube I.D.	Piston rod (mm)	Operating direction	Piston area (mm ²)	Operating pressure (MPa)						
				0.2	0.3	0.4	0.5	0.6	0.7	
5	2.5	OUT	21.2	4.24	6.36	8.48	10.6	12.72	14.84	
		IN	16.3	3.26	4.89	6.52	8.15	9.78	11.41	

Allowable static moment

Overhang: Ln (mm)

Unit: kgf.m

Pitch moment (Mp)	Yaw moment (My)	Roll moment (Mr)
0.11	0.11	0.09
		



Material

No.	Part name	Material	Q'y
1	Body	Aluminum alloy	1
2	Table	Aluminum alloy	1
3	Head cover	Copper	1
4	Rod cover washer	Copper	1
5	Piston rod	Stainless steel	1
6	Cushion packing	POM	2
7	Floating connector	Stainless steel	1
8	End cover	Aluminum alloy	1
9	Spring gasket	Stainless steel	1
10	Spring	Spring steel	1

No.	Part name	Material	Q'y
11	Spring snap	Spring steel	1
12	Magnet	Magnet material	1
13	Linear guide set	—	1
14	Piston packing	NBR	1
15	O-ring	NBR	1
16	O-ring	NBR	1
17	Screw	Stainless steel	2
18	Screw	Stainless steel	3
19	Ball	Stainless steel	1
20	Ball	Stainless steel	1
21	Washer	Stainless steel	1

