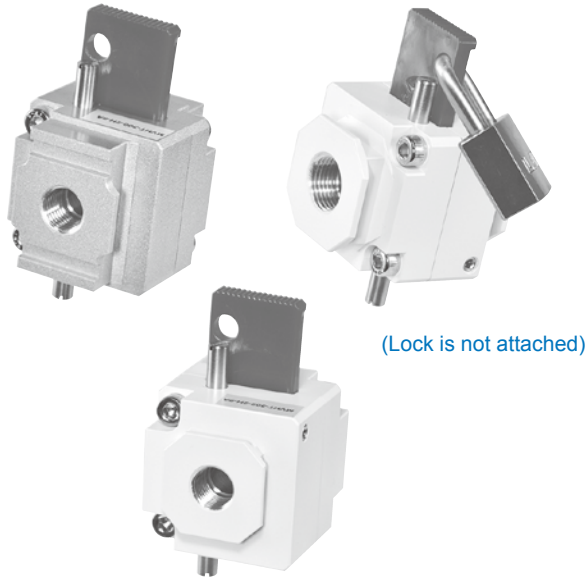


MVHT series

SHUTOFF VALVE



Specification

Model	MVHT-300		MVHT-302, MVHT-400		
Bore No.	8A	10A	8A	10A	15A
Port size	Rc1/4	Rc3/8	Rc1/4	Rc3/8	Rc1/2
No. of port	3(2)				
No. of position	2				
Medium	Air				
Operating pressure range	0~1.5 MPa				
Proof pressure	2 MPa				
Ambient temperature	-5~+60°C (No freezing)				
Weight	230 g		249 g, 220 g		

Order example

MVHT - 300 - 3H - 8A - 1 - G

MODEL

MODEL for F.R.L

300: for MA**300 series
302: for MA**302 series
400: for MA**401, 403 series

2H: 2way(2port)
3H: 3way(3port)
(Residual pressure release)

8A: Rc1/4
10A: Rc3/8
15A: Rc1/2 (Only for MVHT-302 / 400)

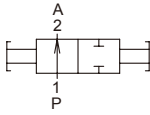
Apply to MVHT-400
1: Silver (For air unit 401 series)
3: Cool gray (For air unit 401-W, 403 series)

PORT THREAD

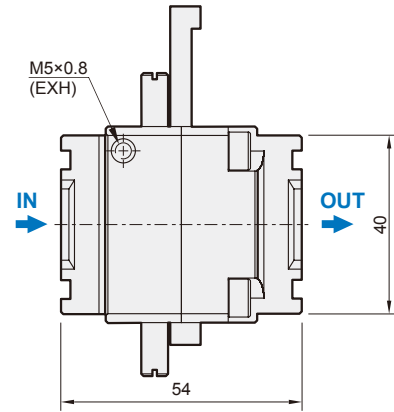
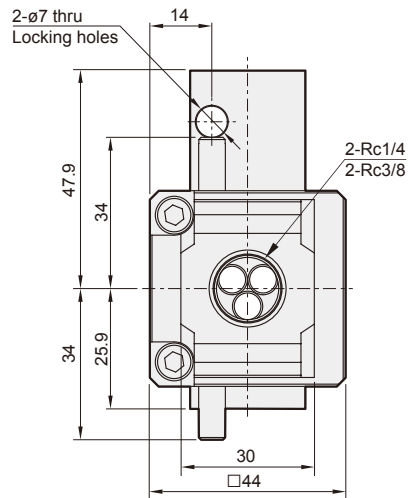
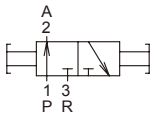
Blank: Rc thread
G: G thread
NPT: NPT thread

MVHT-300

2H

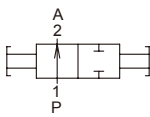


3H

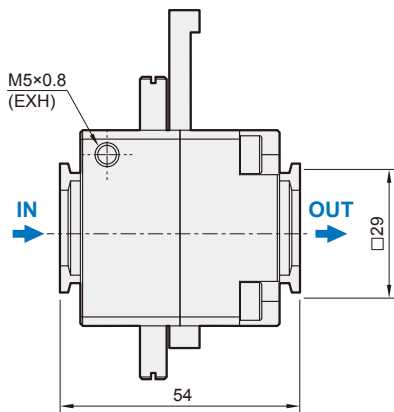
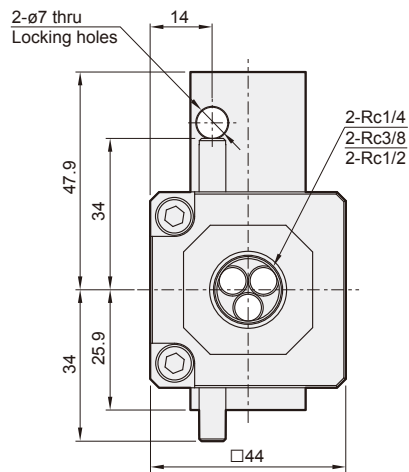
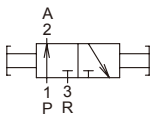


MVHT-302

2H

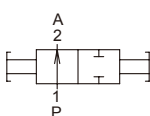


3H



MVHT-400

2H



3H

