

MPG-60 series

DIGITAL PRESSURE GAUGE



Features

- 6 user programmable pressure units (kPa, MPa, kgf/cm², psi, bar, mmHg) available.
- Battery powered.
- Easy / fast read out with digital display.
- Power saving mode.
- Back light option.
- IP65 enclosure, dust and splash-proof.

Specification

| Model | Vacuum | | Positive | |
|-------------------------------|--|--|---|----------------------|
| | MPG-60V | MPG-60V-L | MPG-60P | MPG-60P-L |
| Rate / display pressure range | 0 ~ -101 kPa / 10 ~ -101 kPa | | 0 ~ 1 MPa / -0.1 ~ 1 MPa | |
| Proof pressure | 300 kPa | | 1.5 MPa | |
| Fluid | Filtered air, Non-corrosive gases, incombustible gases | | | |
| Set pressure resolution | kPa / MPa | 1 / — | — / 0.001 | |
| | kgf/cm ² / bar | — / 0.01 | 0.01 | |
| | psi | 0.1 | 0.1 | |
| | mmHg | 1 | — | |
| Battery / Battery replaceable | CR 2032 lithium / Yes | | | |
| Battery life | 3 years (5 times/day) | 1 years (5 times/day) | 3 years (5 times/day) | 1 year (5 times/day) |
| Low-power indicator | Yes | | | |
| Back light | No | Yes | No | Yes |
| Turn-on interval | Display turn off after 60 sec. | | | |
| Sampling rate | 2 Hz (2 times/sec.) | | | |
| Programmable pressure unit | psi, bar mmHg, kPa user selectable | | psi, bar, kgf/cm ² , MPa user selectable | |
| Repeatability | ±1% F.S. ±1digit | | ±0.2% F.S. ±1digit | |
| LCD display | 3 ½ digital, 7 segment LCD display (Black) | | | |
| Indicator accuracy | ±2% F.S. ±1 digit (Ambient temperature: 25 ±3 °C) | | | |
| Environment | Enclosure | IP65 (Air tube must be installed to maintain IP65) | | |
| | Ambient temp. range | Operation: 0 ~ 50°C, storage : -10 ~ 60°C (No condensation or freezing) | | |
| | Ambient humidity range | Operation/Storage: 35 ~ 85% RH (No condensation) | | |
| | Vibration | Total amplitude 1.5mm or 10G, 10Hz-55Hz-10Hz scan for 1 minute, two hours each direction of X, Y and Z | | |
| Shock | 100m/s ² (10G), 3 times each in direction of X, Y and Z | | | |
| Temperature characteristic | ±2% F.S. of detected pressure (25°C) at temp. Range of 0~50°C | | | |
| Weight | Approx. 40 g | | | |

Order example

MPG — 60 P — L — F1

MODEL

PRESSURE RANGE
V: Vacuum
P: Positive

PRESSURE PORT
F1: R1/8", M5
F2: NPT1/8", #10-32 UNF
F3: G1/8", M5
F4: R1/4", M5
F5: NPT1/4", #10-32 UNF
F6: G1/4", M5

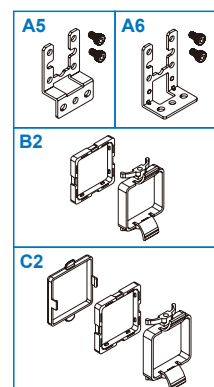
BACK LIGHT
Blank: Back light unavailable
L: Back light available

Mounting accessories (Option)

MP — A5

MODEL

OPTION PARTS
A5: Mounting bracket
A6: Mounting bracket
B2: Panel adapter
C2: Panel adapter + Front protective lid

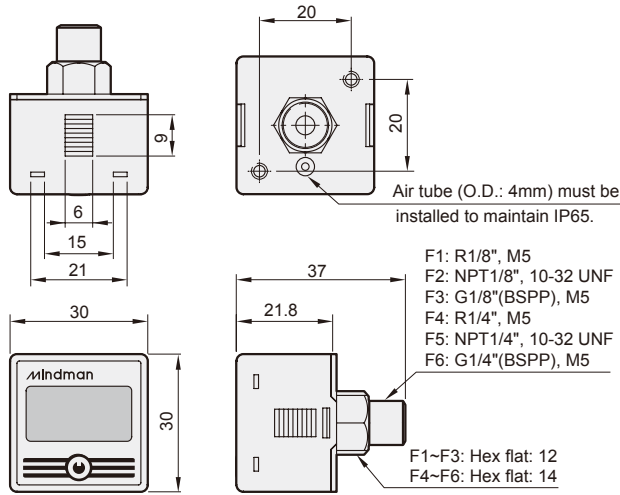


MPG-60 Dimensions

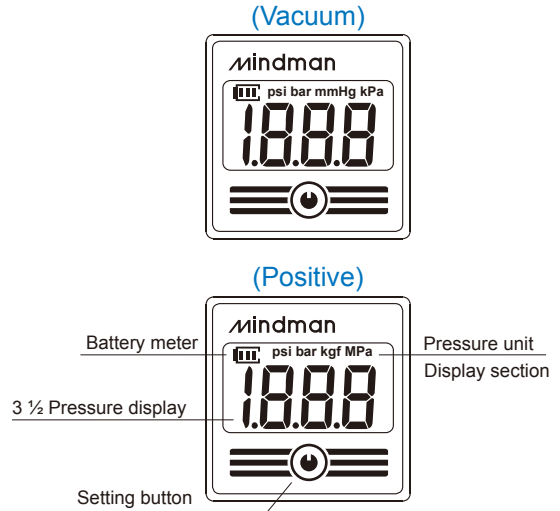
DIGITAL PRESSURE GAUGE



Dimensions



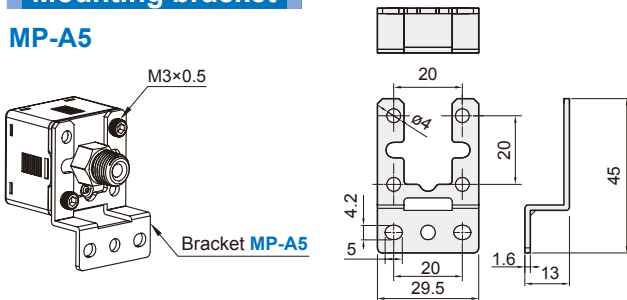
Panel instructions



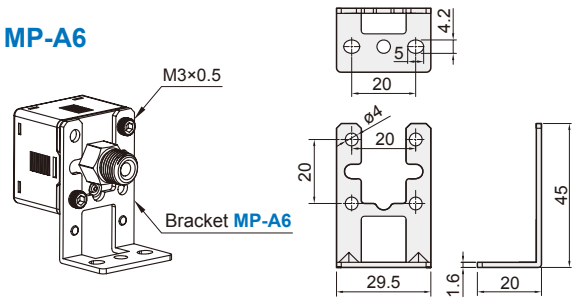
Mounting accessories

Mounting bracket

MP-A5



MP-A6



Panel type

