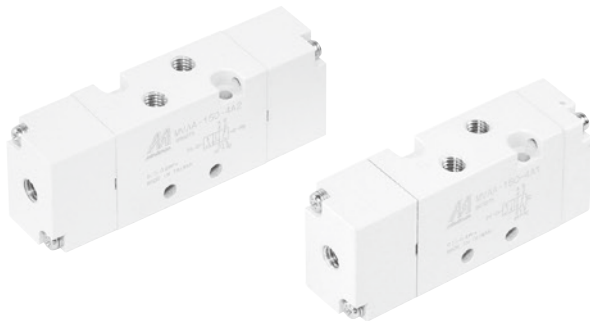


MVAA-150 series

PILOT VALVE



Specification

Model	4A1	4A2
Bore No.	M5	
Port size	M5×0.8	
No. of port	5	
Medium	Air	
Operating pressure range	0.15~0.8 MPa	0~0.8 MPa
Proof pressure	1 MPa	
Effective orifice	3.8 mm ²	
Pilot pressure range	(0.45×P*+0.1)~0.8 MPa	
Ambient temperature	-5~+60°C (No freezing)	
Weight	47 g	58 g

* P: Operating pressure.

Order example of valve

MVAA – 150 – 4A2

MODEL

BODY WIDTH

4: 4way (5 port)

A1: Single pilot
A2: Double pilot

* Use the same manifold with MVSC1.

Order example of manifold

MVSC1 – 150 – 5B3 – G

MODEL

MANIFOLD

5B: 5 port
(for body ported type)

MANIFOLD NUMBER

1, 2, 3...

PORT THREAD

Blank: Rc thread
G: G thread
NPT: NPT thread

* Use the same blocking plate with MVSC1.

Order example of blocking plate

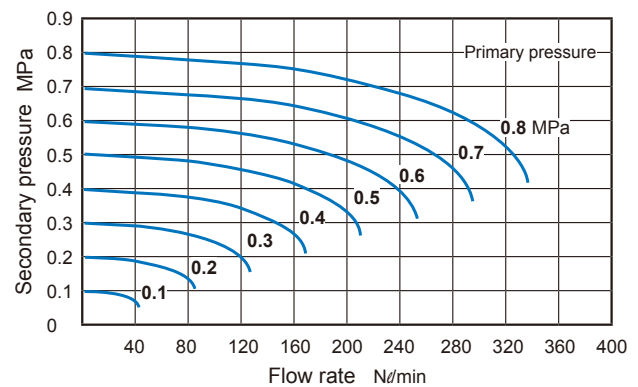
MVSC1 – 150 – 5P

MODEL

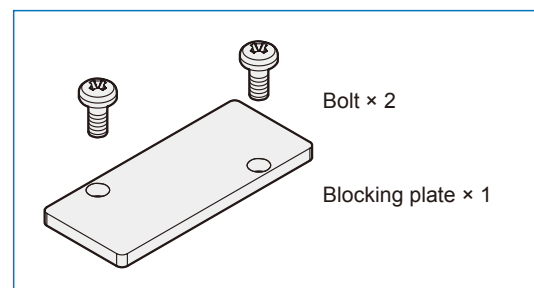
BLOCKING PLATE

5P: for 5 port

Flow features



Blocking plate parts

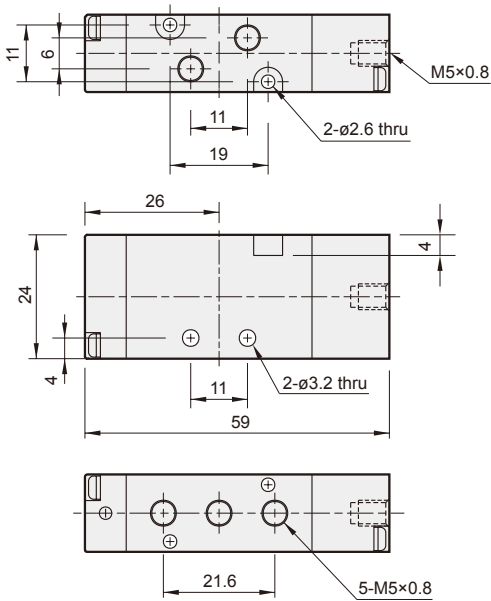
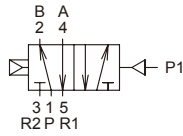


MVAA-150 Dimensions

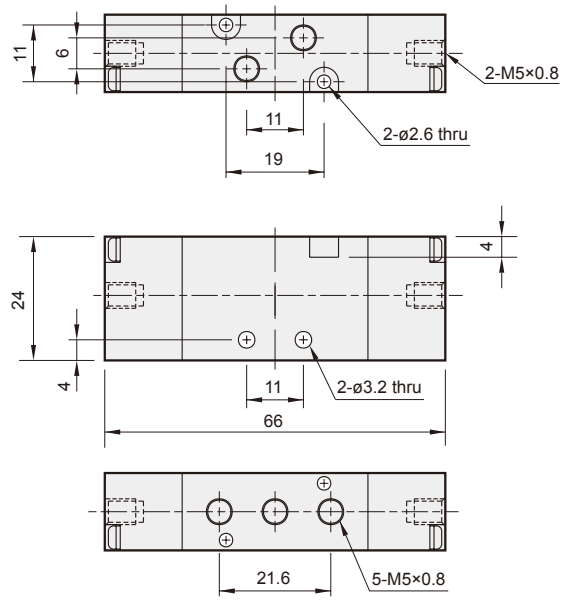
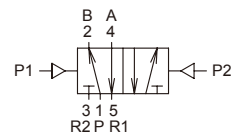
PILOT VALVE



MVAA-150-4A1



MVAA-150-4A2

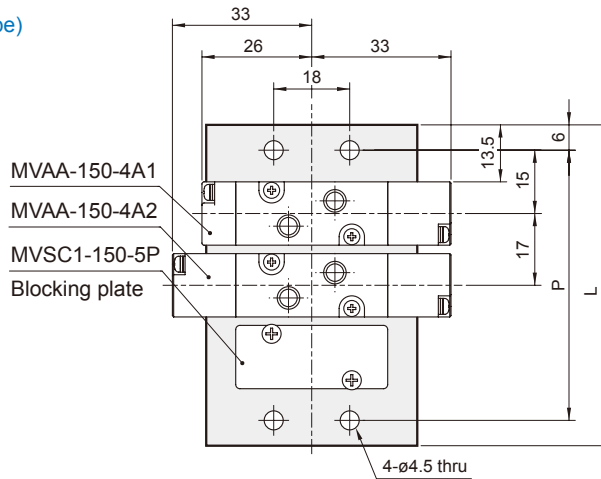


Manifold of pilot valve

MVSC1-150-5B*

* Use the same manifold with MVSC1.

5 port (for body ported type)



No. of stations	P	L
2	47	59
3	64	76
4	81	93
5	98	110
6	115	127
7	132	144
8	149	161
9	166	178
10	183	195

