

Features

- Positioning of Square work pieces.
- The housing: high-tensile aluminum and special hard-coated.
- The 4-jaw grippers is designed in lower height with long stroke.
- Magnetic as standard.

Specification

| Model | MCHGF | | | | |
|--------------------------|-------------------------------------|------|------|------|------|
| Acting type | Double acting | | | | |
| Body diameter(mm) | 50 | 64 | 80 | 100 | 125 |
| Stroke (mm) | 8 | 12 | 16 | 20 | 26 |
| Medium | Air | | | | |
| Operating pressure range | 0.2~0.8 MPa | | | | |
| Repeatability | ±0.05 mm | | | | |
| Ambient temperature | -10°C~+60°C (No freezing) | | | | |
| Lubrication (*1) | Not required | | | | |
| Sensor switch (*2) | RH: Reed switch, RHN: NPN, RHP: PNP | | | | |
| Weight (kg) | 0.24 | 0.42 | 0.85 | 1.51 | 2.45 |

*1. Maintenance: Re-Lubrication after appr. 1.5 million cycles recommended.
 *2. RH specification, please refer to page 5-12.

Order example

MCHGF — 64M

MODEL

BODY DIAMETER
50, 64, 80
100, 125

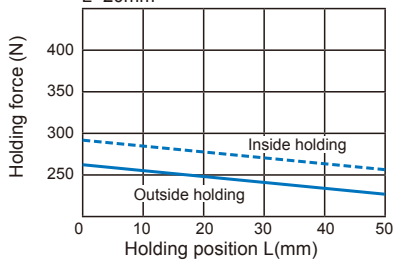
M: Magnet

* Magnetic as standard.

Gripping force in relation to the holding position "L" at 0.6 MPa

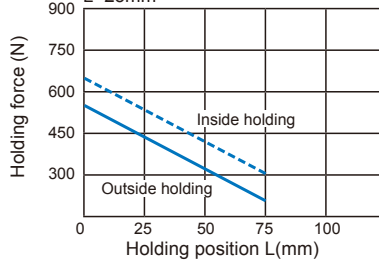
MCHGF-50

Work piece weight 1.3kg (recom.)
L=20mm



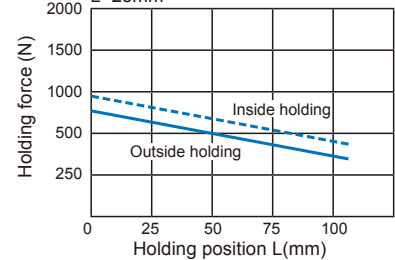
MCHGF-64

Work piece weight 3kg (recom.)
L=25mm



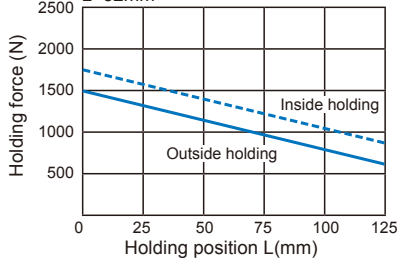
MCHGF-80

Work piece weight 5.3kg (recom.)
L=25mm



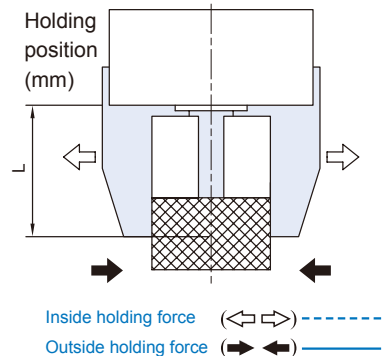
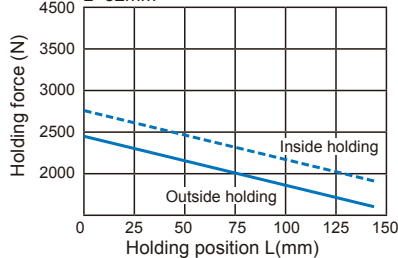
MCHGF-100

Work piece weight 9kg (recom.)
L=32mm



MCHGF-125

Work piece weight 15.5kg (recom.)
L=32mm



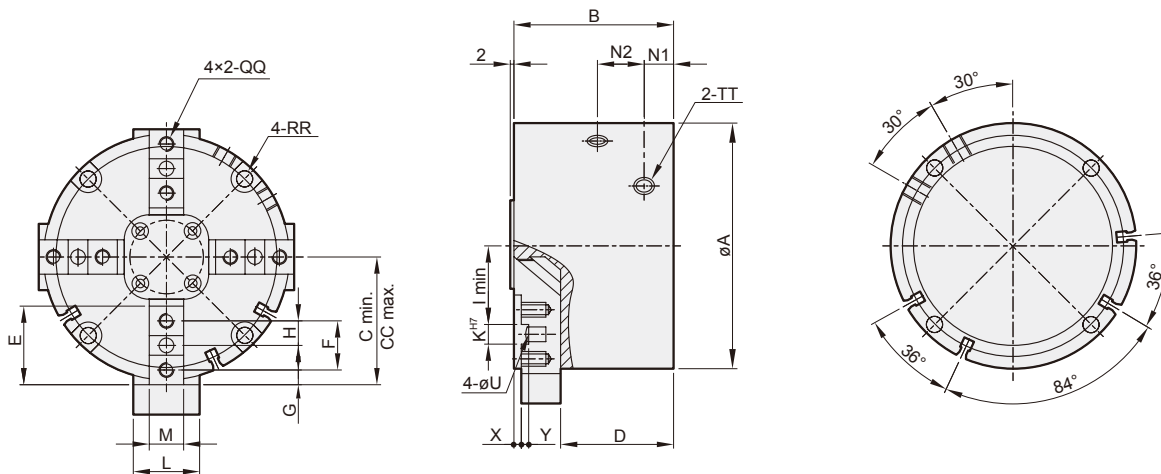
- With reference to the holding force, under the condition must be considered.
- Condition: friction coefficient, great acceleration impact is expected during work piece rotate.
- It recommend: select a type of arithmetic holding force that can produce 10 to 20 times for work piece weight.

MCHGF Dimensions $\varnothing 50 \sim \varnothing 125$



PARALLEL GRIPPER (4-Finger)

Mindman



| Code Model | A | B | C | CC | D | E | F | G | H | I | K | L | M | N1 | N2 |
|------------|-----|------|------|------|------|----|----|-----|-----|----|---|----|------|------|------|
| MCHGF-50 | 50 | 39 | 26.5 | 30.5 | 28 | 18 | 12 | 3 | 6 | 15 | 5 | 14 | 8.2 | 8.1 | 14.8 |
| MCHGF-64 | 64 | 47.5 | 32 | 38 | 32 | 20 | 13 | 4 | 6.5 | 19 | 5 | 17 | 10.2 | 10 | 16.5 |
| MCHGF-80 | 80 | 56.5 | 42 | 50 | 39.5 | 25 | 16 | 5 | 8 | 26 | 6 | 23 | 12.2 | 10 | 22 |
| MCHGF-100 | 100 | 65 | 52 | 62 | 46 | 32 | 20 | 6 | 10 | 32 | 8 | 27 | 14.2 | 12 | 24 |
| MCHGF-125 | 125 | 76 | 65.5 | 78.5 | 53.5 | 40 | 24 | 8.5 | 12 | 41 | 8 | 30 | 16.2 | 13.5 | 28.5 |

| Code Model | QQ | RR | TT | U | X | Y |
|------------|-------------|--|-------|---|---|-----|
| MCHGF-50 | M3×0.5×7dp | $\varnothing 3.4$ thru, 7C/B×5dp P.C.D44 | M5 | 4 | — | 2 |
| MCHGF-64 | M4×0.7×8dp | $\varnothing 5.5$ thru, 10C/B×6dp P.C.D56 | M5 | 4 | 2 | 2.5 |
| MCHGF-80 | M5×0.8×9dp | $\varnothing 6.4$ thru, 11C/B×7dp P.C.D70 | M5 | 5 | 3 | 3 |
| MCHGF-100 | M6×1.0×12dp | $\varnothing 6.6$ thru, 11C/B×7dp P.C.D90 | Rc1/8 | 6 | 3 | 3 |
| MCHGF-125 | M6×1.0×12dp | $\varnothing 8.5$ thru, 15C/B×9dp P.C.D112 | Rc1/8 | 6 | 3 | 3.5 |

MCHGF-50 auto switch mounting groove position

