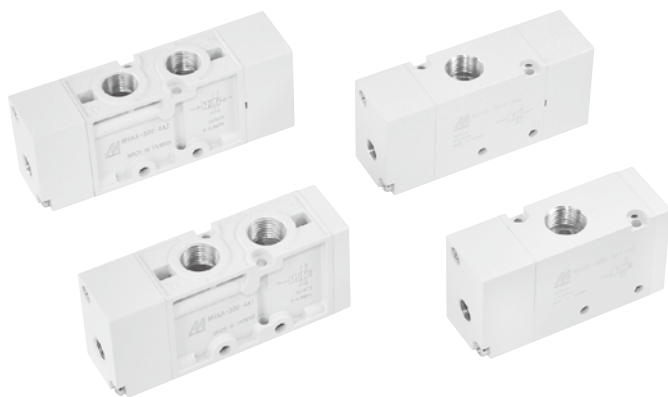


MVAA-300 series

PILOT VALVE



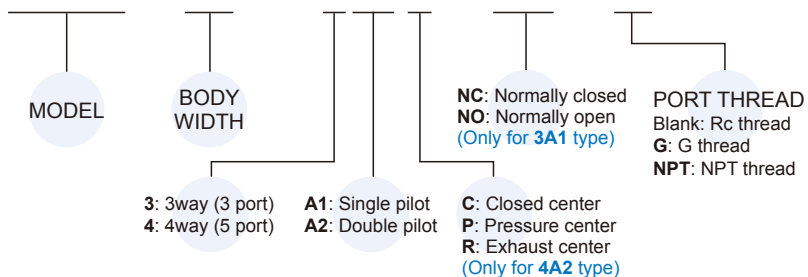
Specification

Model	3A1	3A2	4A1	4A2	4A2C.PR
Bore No.	10A				
Port size	Rc3/8				
No. of port	3		5		
Medium	Air				
Operating pressure range	0~0.8 MPa				
Proof pressure	1 MPa				
Effective orifice	35 mm ²				
Pilot pressure range	(0.34×P*+0.1)~0.8 MPa				
Ambient temperature	-5~+60°C (No freezing)				
Weight	295 g	324 g	236 g	301 g	385 g

* P: Operating pressure.

Order example of valve

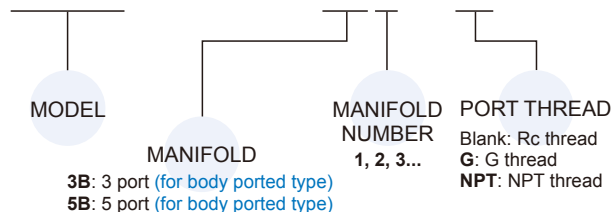
MVAA – 300 – 4A2C – NC – G



* Use the same manifold with MVSC.

Order example of manifold

MVSC – 300 – 5B3 – G



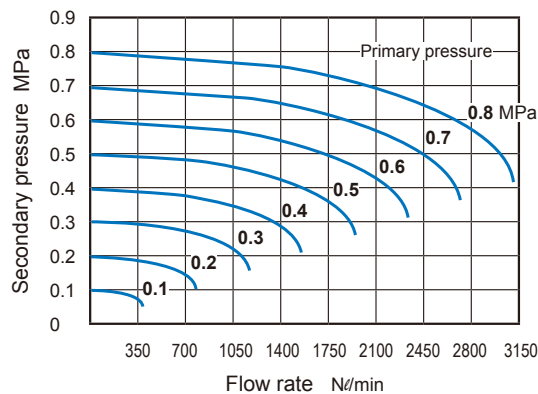
* Use the same blocking plate with MVSC.

Order example of blocking plate

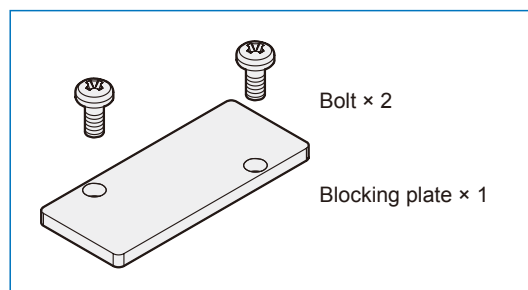
MVSC – 300 – 5P



Flow features



Blocking plate parts

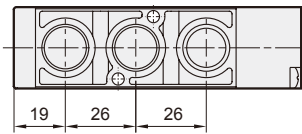
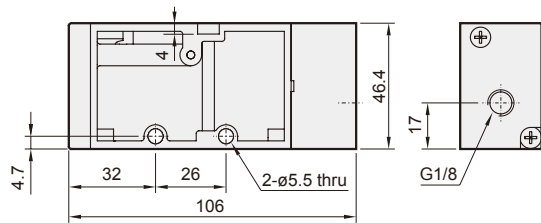
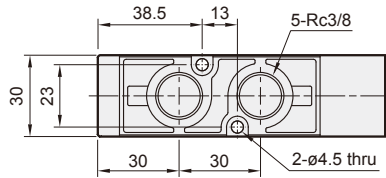
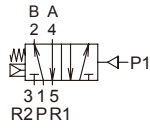


MVAA-300 Dimensions

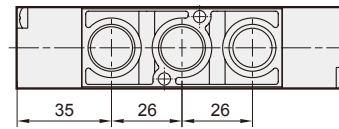
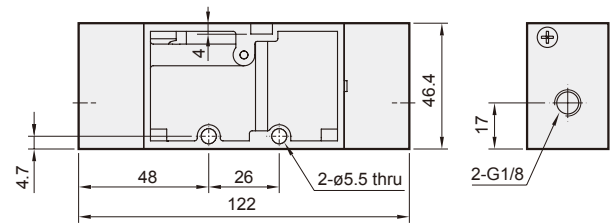
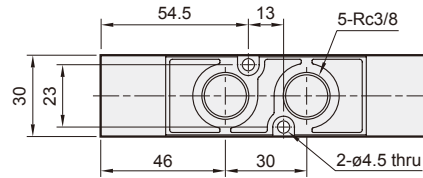
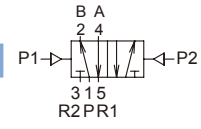
PILOT VALVE



MVAA-300-4A1



MVAA-300-4A2

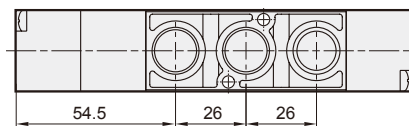
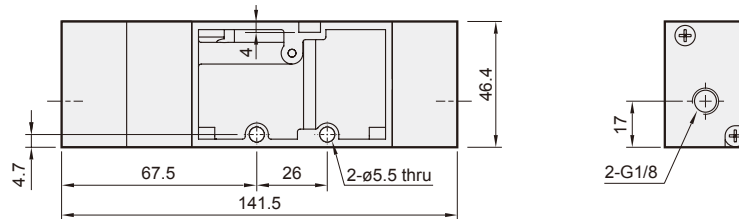
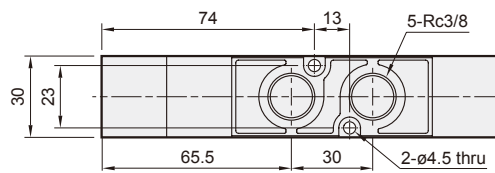
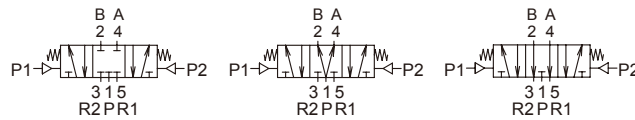


MVAA-300-4A2C.P.R

MVAA-300-4A2C

MVAA-300-4A2P

MVAA-300-4A2R

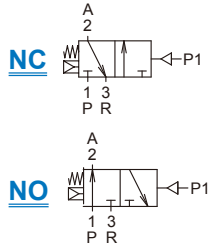
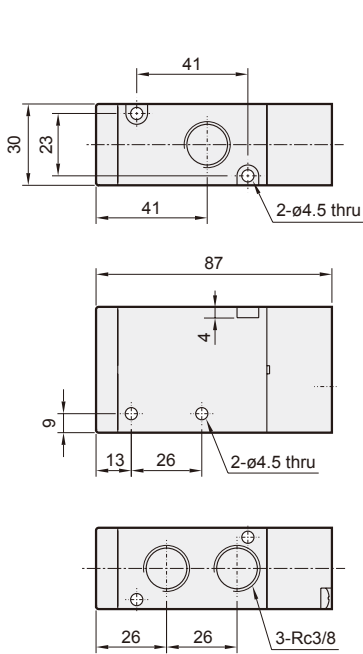


MVAA-300 Dimensions

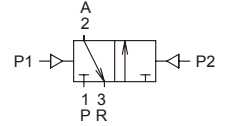
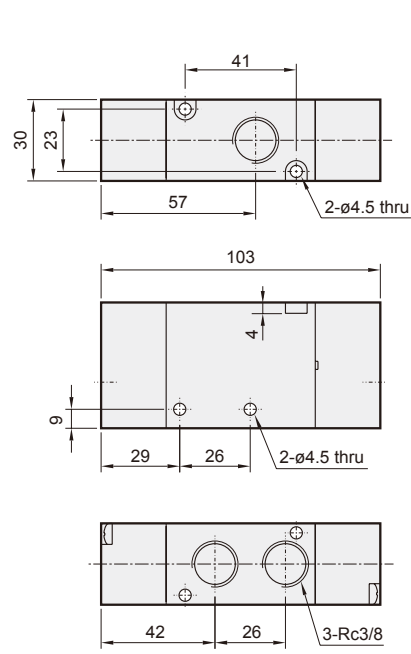
PILOT VALVE



MVAA-300-3A1-NC/NO



MVAA-300-3A2

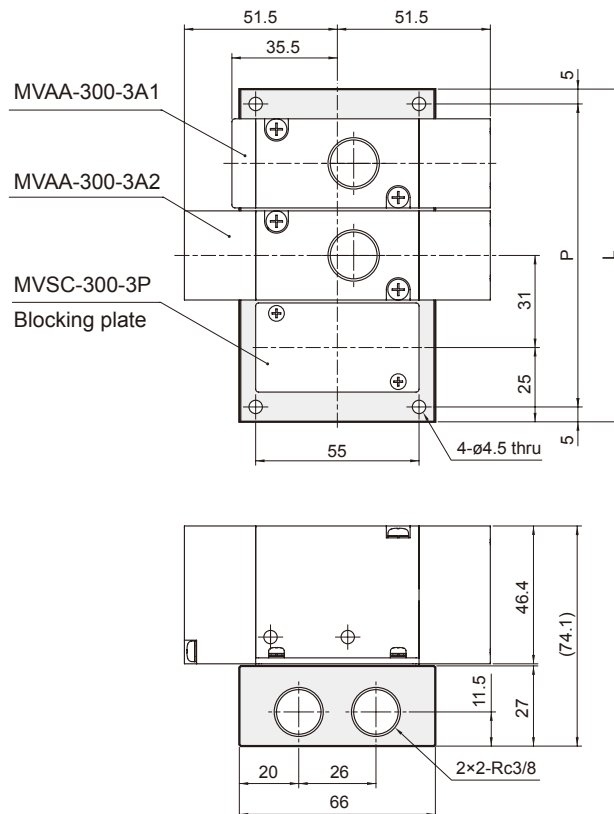


Manifold of pilot valve

MVSC-300-3B*

* Use the same manifold with MVSC.

3 port (for body ported type)



No. of stations	P	L
2	71	81
3	102	112
4	133	143
5	164	174
6	195	205
7	226	236
8	257	267
9	288	298
10	319	329

MVAA-300 Manifold

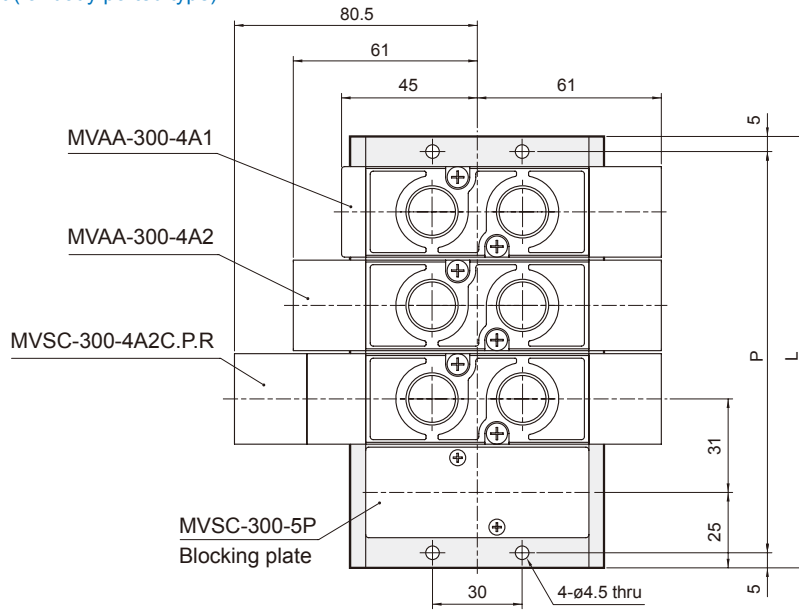
PILOT VALVE



MVSC-300-5B*

* Use the same manifold with MVSC.

5 port (for body ported type)



No. of stations	P	L
2	71	81
3	102	112
4	133	143
5	164	174
6	195	205
7	226	236
8	257	267
9	288	298
10	319	329

