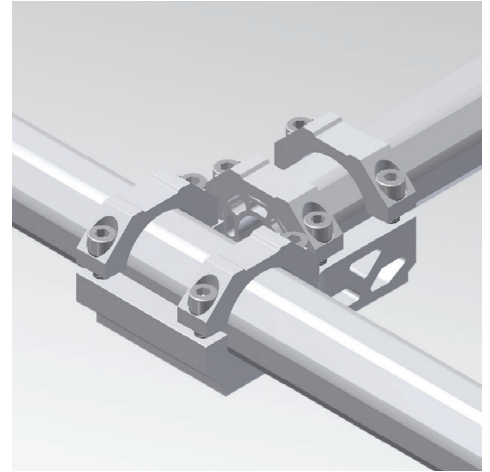
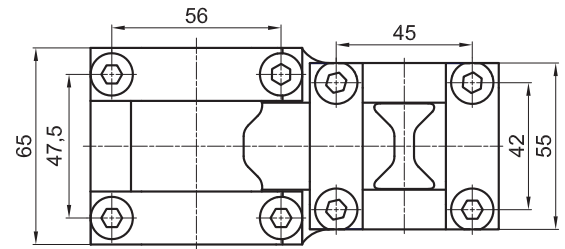
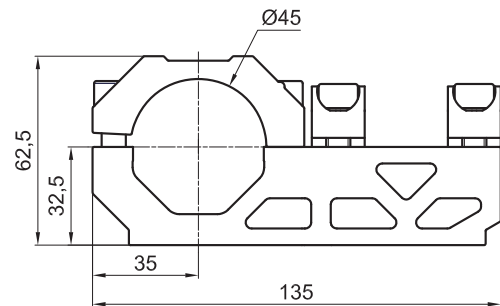
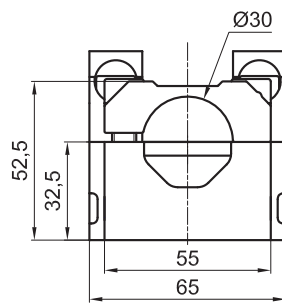
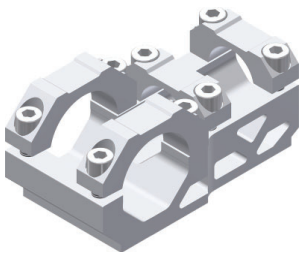


## Coplanar mounts

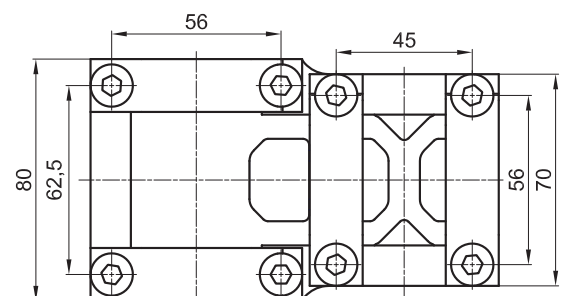
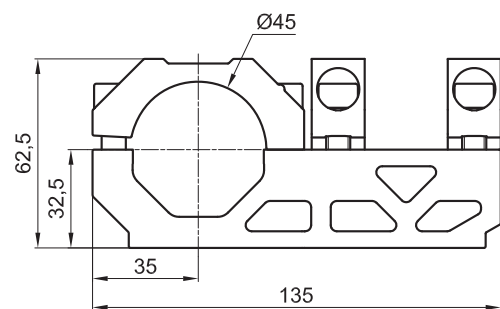
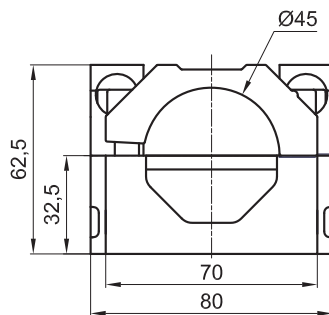
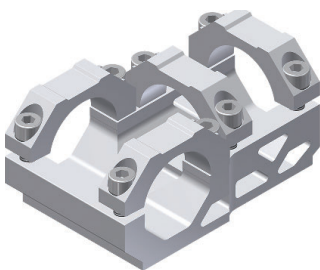


### GR8CM4530 Coplanar mount 45-30



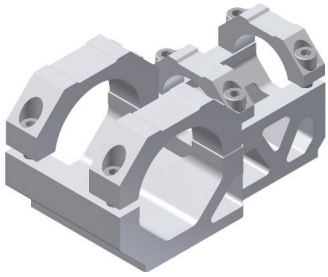
	Tightening torque	Screw
GR8CM4530	25 Nm	M8x25
Material:	Aluminium	
Weight:	0,6 kg	
Max static load:	280 Nm	

### GR8CM4545 Coplanar mount 45-45

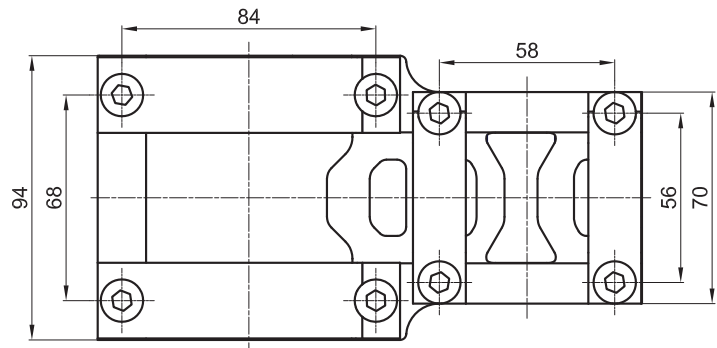
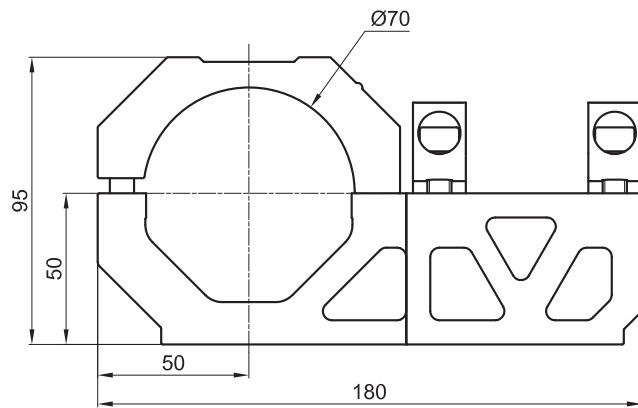
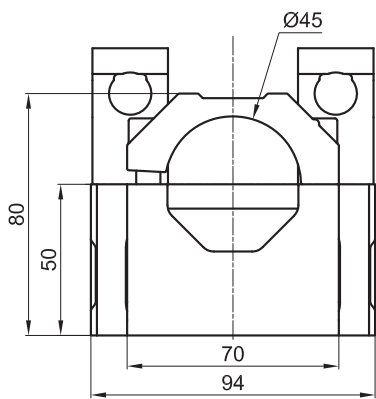


	Tightening torque	Screw
GR8CM4545	25 Nm	M8x25
Material:	Aluminium	
Weight:	0,68 kg	
Max static load:	280 Nm	

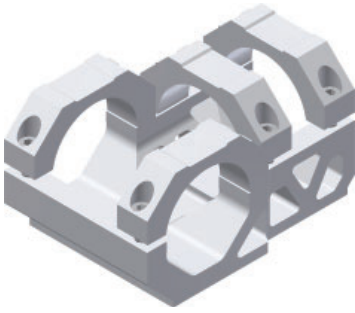
**GR8CM7045 Coplanar mount 70-45**



	Tightening torque	Screw
<b>GR8CM7045</b>	25 Nm	M8x25
<b>Material:</b>	Aluminium	
<b>Weight:</b>	1,4 kg	
<b>Max static load:</b>	470 Nm	



**GR8CM7070** Coplanar mount 70-70



	Tightening torque	Screw
<b>GR8CM7070</b>	25 Nm	M8x25
<b>Material:</b>	Aluminium	
<b>Weight:</b>	1,68 kg	
<b>Max static load:</b>	750 Nm	

