



### Specification

Model	MSAR	
Standard type	ø32-30	1350 g
	ø50-30	2150 g
	ø80-30	9000 g
Acting type	Single acting (Spring extended)	
	Stopper with roller	
Medium	Air	
Operating pressure range	0.2~1 MPa	
Proof pressure	1.5 MPa	
Ambient temperature	-5~+60°C (No freezing)	
Lubrication	Not required	
Cushion	With rubber cushion pad	
Magnet	Without magnet	

### Order example

**MSAR — 32 — 30 — G**

MODEL

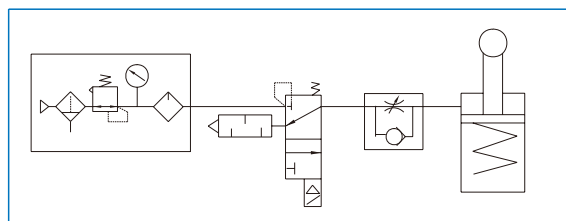
TUBE I.D.  
(mm)

STROKE  
(mm)

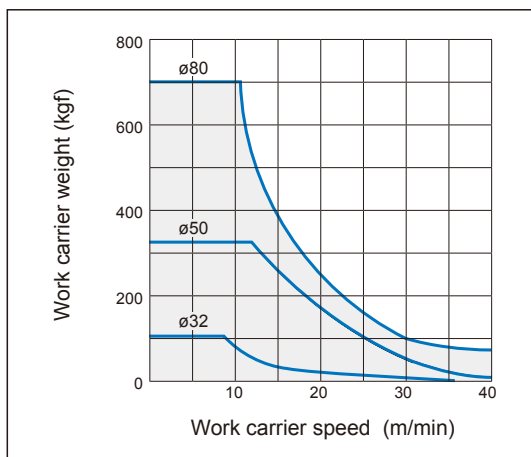
PORT THREAD  
Blank: Rc thread  
G: G thread  
NPT: NPT thread

### Piping diagram

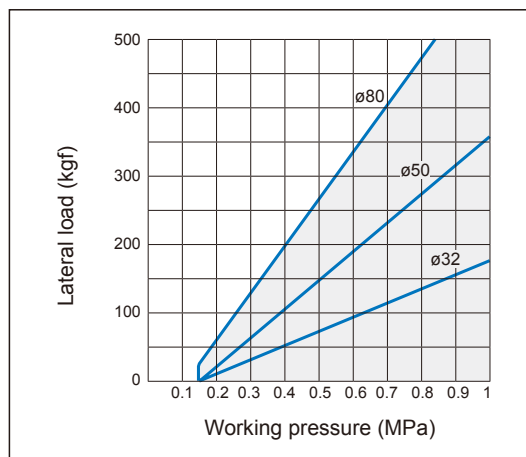
Single acting



### MSAR Capacity

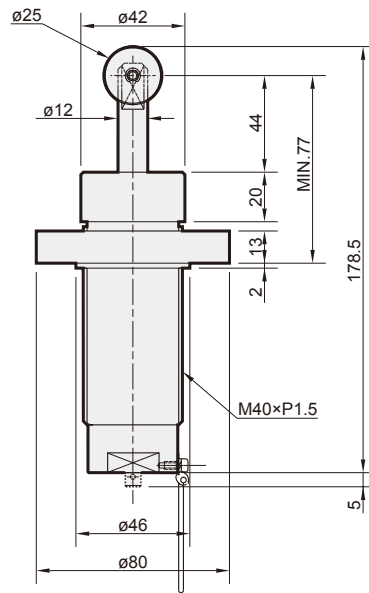
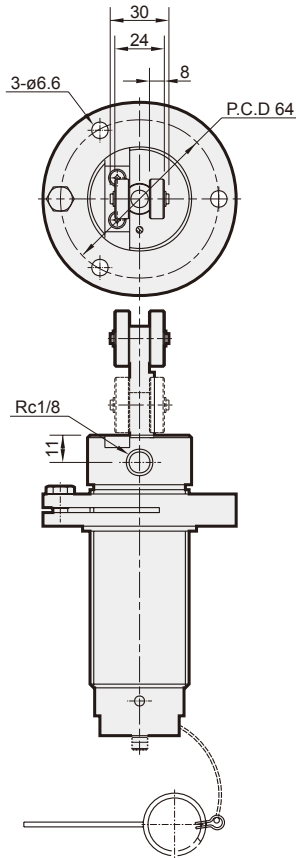


### MSAR Normal lateral load

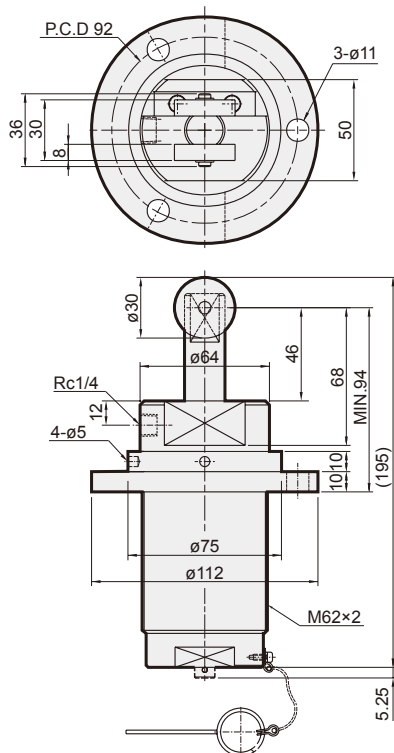


STOPPER CYLINDER

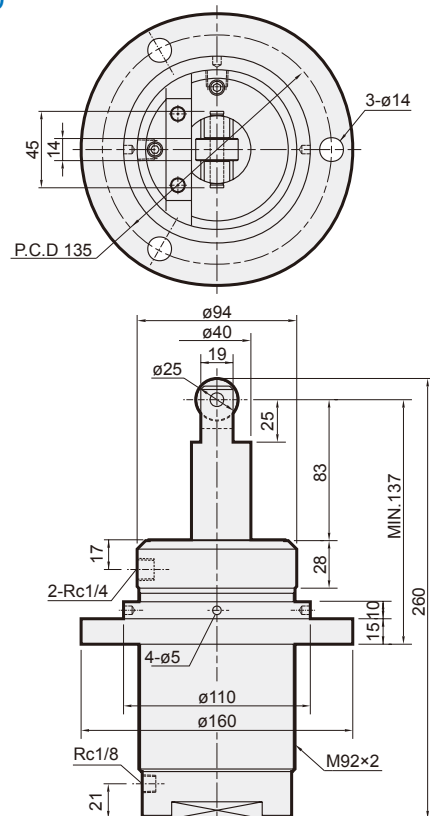
$\phi 32-30$



$\phi 50-30$



$\phi 80-30$



\* Roller is made of stainless steel.