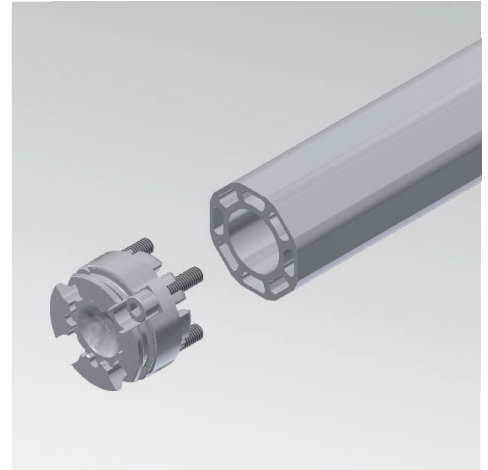
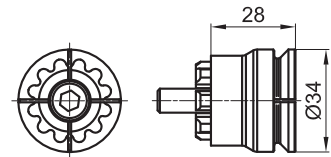


Interlocking end

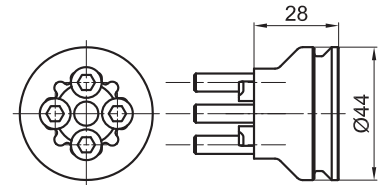


GR8SCI30C Interlocking end 45 for ball mounting



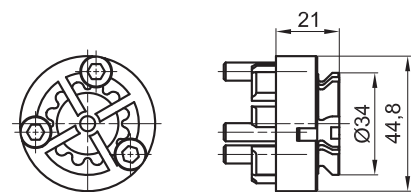
	Tightening torque	Screw
GR8SCI30C	10 Nm	M8x30
Material:	Aluminium	
Weight:	0,068 kg	
Max static load:	80 Nm	

GR8SCI30D Interlocking end 30 D



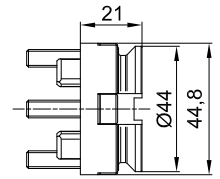
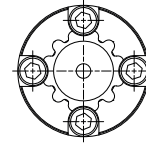
	Tightening torque	Screw
GR8SCI30D	10 Nm	M6x35
Material:	Aluminium	
Weight:	0,105 kg	
Max static load:	200 Nm	

GR8ECI45C Interlocking end 45 for ball mounting



	Tightening torque	Screw
GR8ECI45C	10 Nm	M6x25
Material:	Aluminium	
Weight:	0,092 kg	
Max static load:	80 Nm	

GR8ECI45D Interlocking end 45 D



	Tightening torque	Screw
GR8ECI45D	10 Nm	M6x25

Material:	Aluminium
Weight:	0,104 kg
Max static load:	200 Nm