

Feature

- AISI 316 stainless steel
Fits the chemical, food and pharmaceutical environment.
- The switch holds up to corrosive environments, high temperature and shock.

Order example of sensor switch

RCV – 5M


MODEL WIRE LENGTH
5M: L=5000mm

Switch band

BV125

SWITCH BAND
for $\varnothing 32 \sim \varnothing 125$

Specification

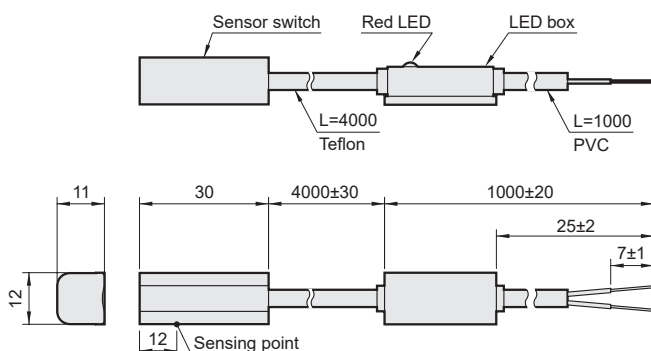
Model	RCV	
Wiring method	2 wire	
Switching logic	SPST N.O.	
Switch type	Reed switch	
Operating voltage	5~240V DC/AC	
Switching current	100mA max.	
Switching rating (*1)	10W max.	
Voltage drop (*2)	3.5V max.	
Indicator	Red LED	
Housing switch material	Sensor switch	AISI 316
	LED box	ABS
Cable	Black Teflon	$\varnothing 4$, L=4000mm
	PVC	$\varnothing 3$, L=1000mm
Temperature range	-10~+140°C (Sensor switch only)	
Enclosure classification	IEC 529 IP67	
Weight	91 g (2m cable)	
Connect diagram		

*1. Warning: Never exceed rating (watt=voltage×amperage). Permanent damage to sensor will occur.

*2. It bases on conditions of voltage 24V DC, ambient temp. 25°C and cable 2M length. Voltage drop increases in pace with cable length.

*3. Caution for safety please refer to page 9-3~4.

Dimension



Assembling style

