

UGPS 32

Pneumatic gripper unit Ø32 mm

Pneumatic gripper unit Ø32 mm with single or double arms, typically used on End of Arm Tooling systems for handling work pieces.

- Compensation 1 mm (single) and 1,5 mm (double)
- Stepless adjustable opening angle
- Toggle-joint mechanism
- Two sided sensor mounting position
- Integrated pneumatic cushioning system
- 360° orbital orientation thanks to many different mounting elements
- Tips customisation



CHARACTERISTICS

Operating temperature	5° ÷ 45° C
Min./Max. Operating pressure	0,4 / 0,6 MPa
Opening angle	10° ÷ 50° (single) 10° ÷ 60° (double)
Bore Ø	32 mm
Holding moment	150 Nm
Clamping moment (0,5 MPa)	600 N (single) 350 N (double)
Weight (without tips)	1 Kg
Pneumatic supply ports	G1/8
Sensor	electronic (optical)
Supply voltage	10 ÷ 30 Vdc
IP code	IP 65

CODIFICATION KEY

UGP | S | 32 | D1 | A | K | R | 3 | 0 | |

1 2 3 4 5 6 7 8 9 10



COMPENSATION



LIGHTWEIGHT



IRREVERSIBLE



ANGLE ADJUSTMENT



OPTICAL SENSOR

1

SERIES

UGP = UNICLAMP Gripper units

2

ARM MATERIAL

S = Steel

3

SIZE

32 = Ø 32 mm

4

ARM

S0 = Single arm, without jaws

S1 = Single arm, jaws set for 1 pair of tips

S2 = Single arm, jaws set for 2 pairs of tips

D0 = Double arms, without jaws

D1 = Double arms, jaws set for 1 pair of tips

D2 = Double arms, jaws set for 2 pair of tips

5

TIPS

0 = No tips

A = Knurled tips

B = Self-adjusting knurled tips

C = Flat tips

D = Concave/Convex tips (1+1)

E = Self adjusting flat tips

6

SENSOR

N = No sensor (with protection plate)

K = Electronic sensor PNP, M12 (DF-K)

J = Electronic sensor NPN, optical (DF-J)

Y = Electronic sensor PNP, M12 (DF-Y) white LED

7

SENSOR MOUNTING

N = No sensor

R = Right (ports side)

L = Left

8

MOUNTS

0 = No mount

1 = Middle flange mount (LGP32MP)

2 = 360° orbital mount, ball Ø25 (LGP32MO25)

3 = 360° orbital mount, ball Ø30 (LGP32MO30)

6 = Rear flange mount (LGP32PT070)

9

PRODUCT REVISION

Assigned by UNIVER

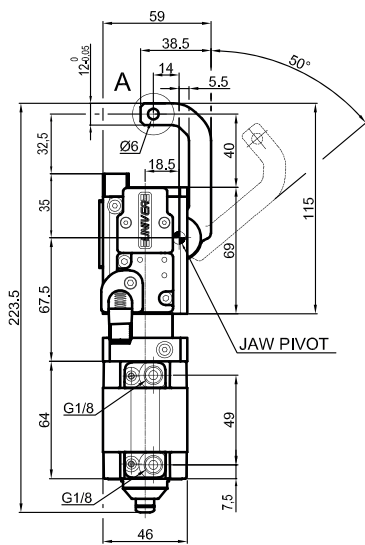
10

ATEX

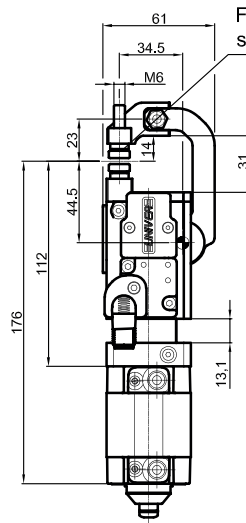
X = ATEX option

See ATEX Catalogue for types and versions

S | Single arm

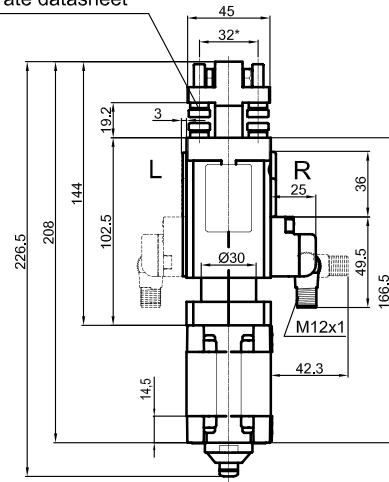


UGPS32S00K_0

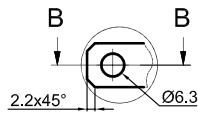
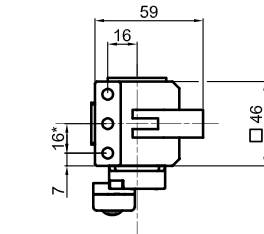


UGPS32S1_K_0

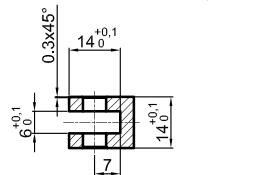
For tip versions A-B-C-D-E see separate datasheet



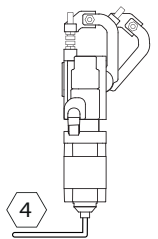
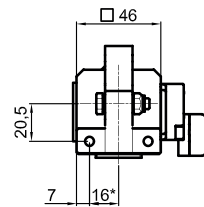
UGPS32S2_K_0



A (2 : 1)



B-B (2 : 1)



* TOLERANCE BETWEEN DOWELS ± 0,02, BETWEEN SCREW HOLES ± 0,1

Sensors

Tips



Electronic (optical)

- DF-K PNP M12
- DF-J NPN M12
- DF-Y PNP M12 White LED



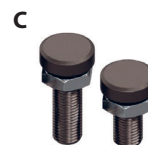
Knurled

- LGPK6932A-L
- LGPK6932A-C



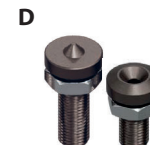
Knurled
Self adjusting

- LGPK6932B-L
- LGPK6932B-C



Flat

- LGPK6932C-L
- LGPK6932C-C



Concave/Convex

- LGPK6932D-C

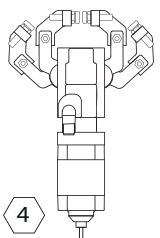
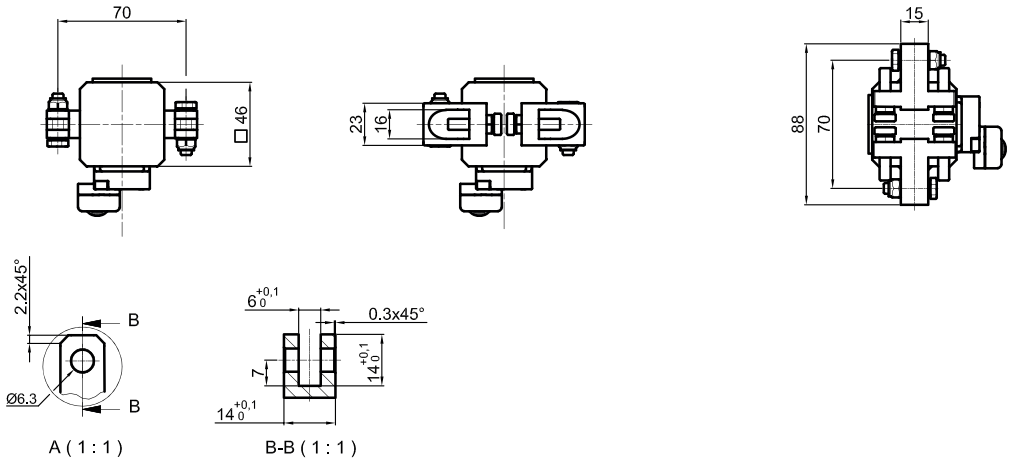
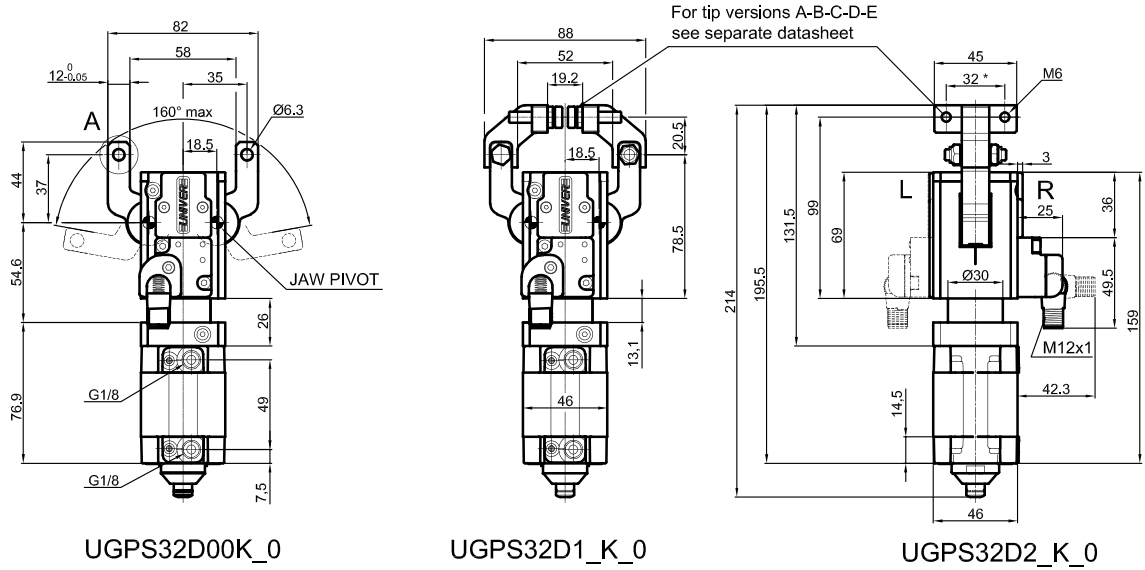


Flat
Self adjusting

- LGPK6932E-L
- LGPK6932E-C

D Double arm

4



* TOLERANCE BETWEEN DOWELS ± 0,02, BETWEEN SCREW HOLES ± 0,1

Sensors



Electronic (optical)

- DF-K PNP M12
- DF-J NPN M12
- DF-Y PNP M12 White LED

Tips

- | | | | | |
|-------------------------------------------------------------------------------------------------------|-------------------------------------------------------------------------------------------------------|-------------------------------------------------------------------------------------------------------|---------------------------------------------------------------------------------------------------------|---------------------------------------------------------------------------------------------------------|
| A

2x | B

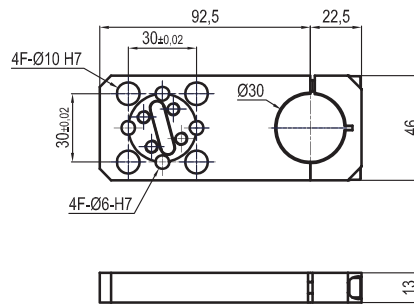
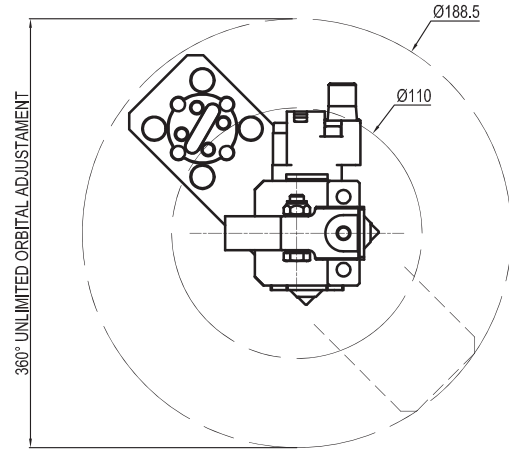
2x | C

2x | D

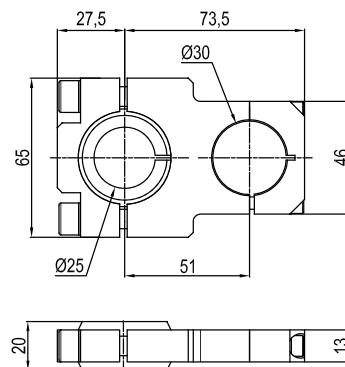
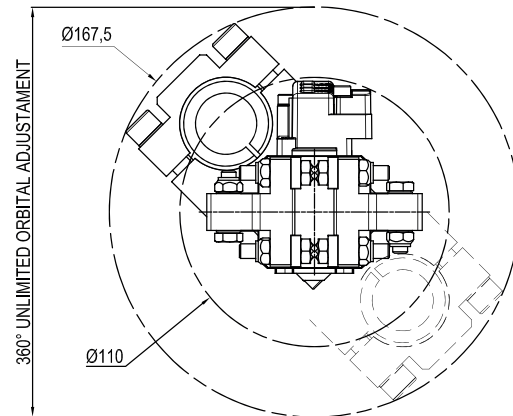
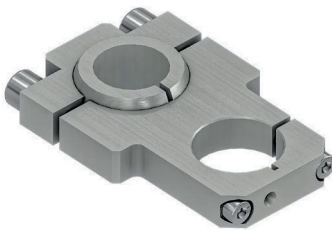
2x | E

2x |
| Knurled
LGPK6932A-L | Knurled
Self adjusting
LGPK6932B-L | Flat
LGPK6932C-L | Concave/Convex
LGPK6932D-L | Flat
Self adjusting
LGPK6932E-L |

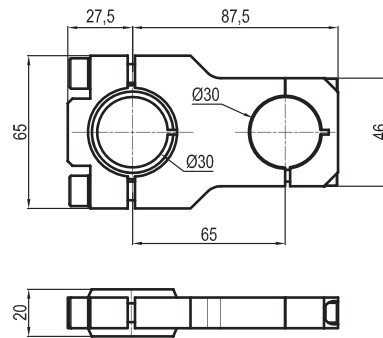
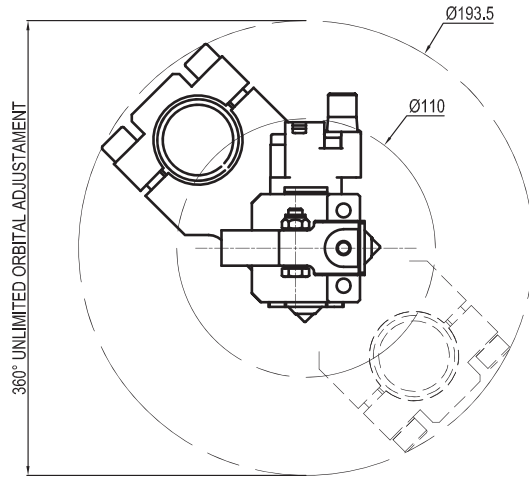
1 Middle flange mount
LGP32MP



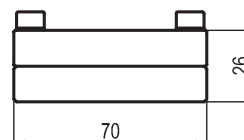
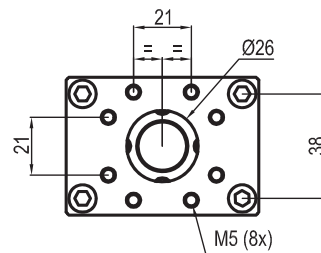
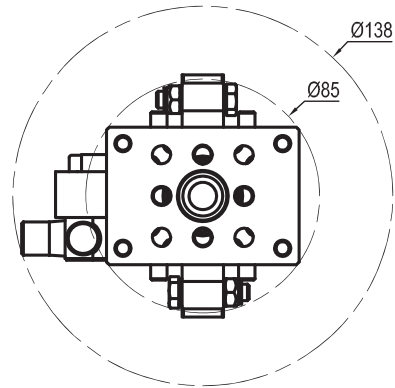
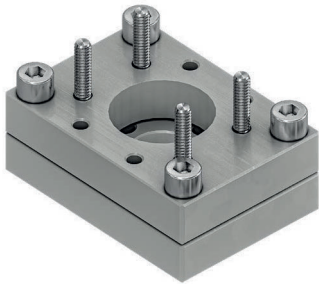
2 360° Orbital mount
Ball Ø25 - LGP32MO25



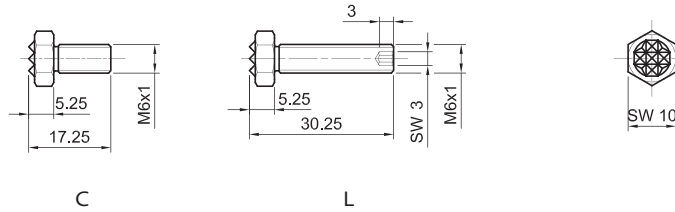
3 360° Orbital mount
Ball Ø30 - **LGP32MO30**



6 Rear flange mount
LGP32PT070

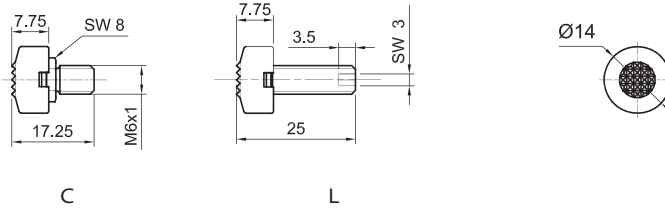


A Knurled



Tips	Weight
LGPK6932A-L	10g
LGPK6932A-C	7g

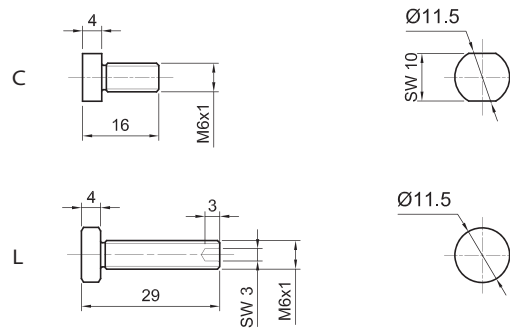
B Knurled
Self adjusting



Tips	Weight
LGPK6932B-L	9,5g
LGPK6932B-C	12g

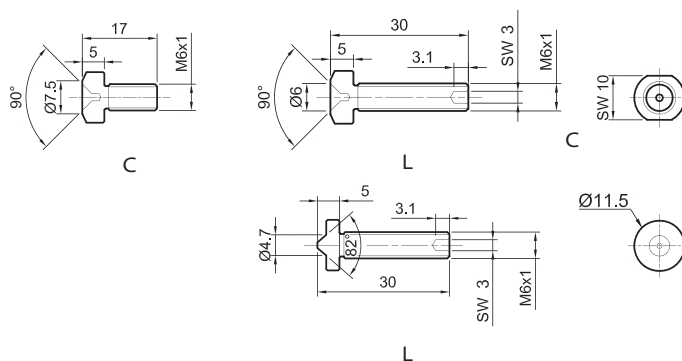
4

C Flat



Tips	Weight
LGPK6932A-L	10g
LGPK6932A-C	7g

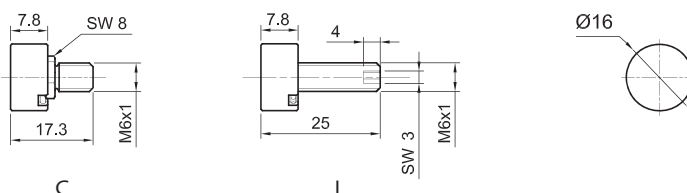
D Concave/Convex



Concave	
Tips	Weight
LGPK6932D-L	10g
LGPK6932D-C	8g

Convex	
Tips	Weight
LGPK6932D-L	11g

E Flat
Self adjusting



Tips	Weight
LGPK6932E-L	13g
LGPK6932E-C	10g