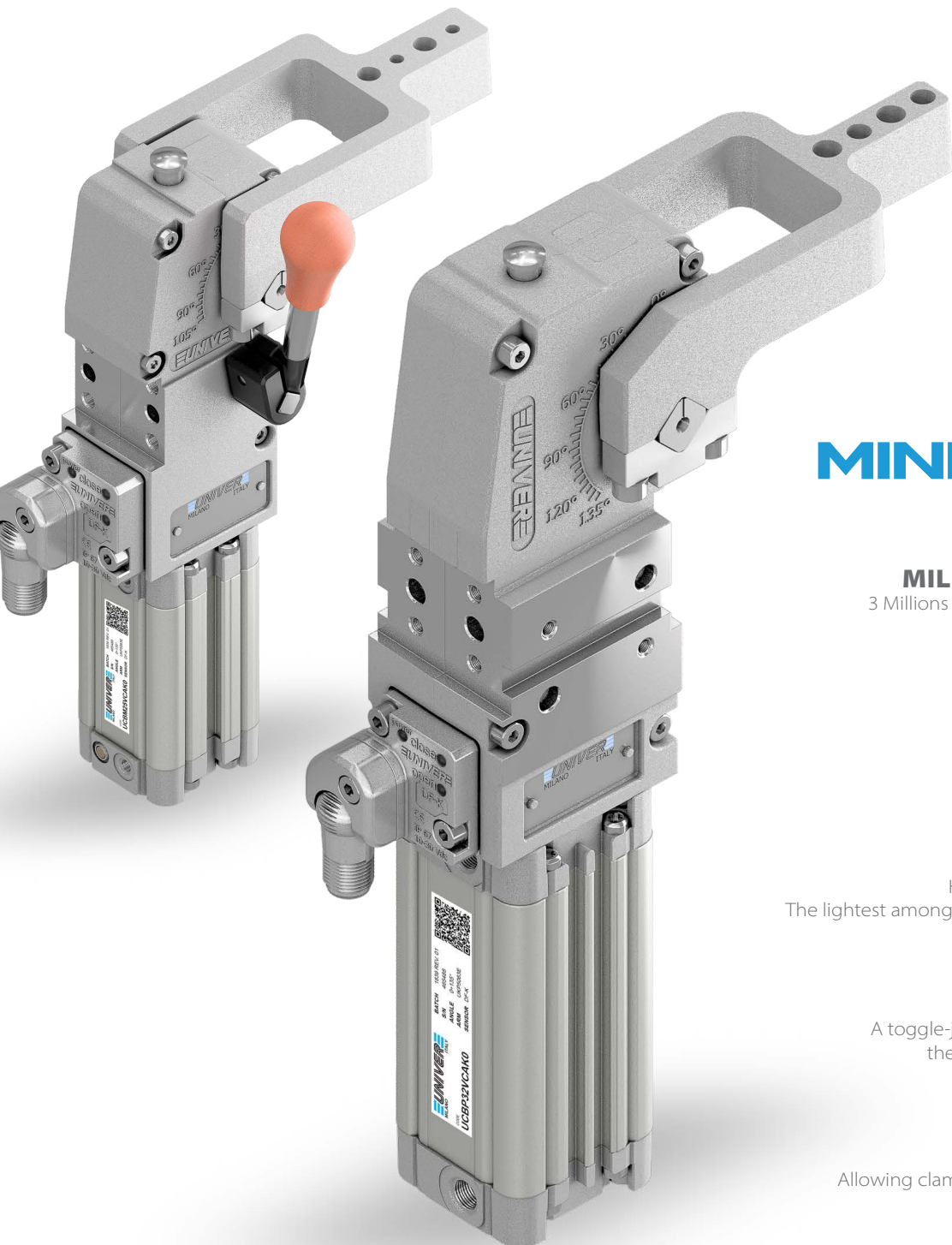


PNEUMATIC MINI CLAMPS

Pneumatic Miniclamps are typically used for handling and blocking pieces in assembly process.

UNIVER offer two sizes Ø25 and Ø32 and optional version equipped with handlever for manual operations.

- Fully adjustable opening angle
- Electronic sensor with M12 swivel connector or pneumatic sensor
- Self-holding device for open position
- ATEX version available



MINICLAMP

MILLIONS OF CYCLES

3 Millions of operations granted with no maintenance required



QR CODE

Helps identify products quickly and easily



LIGHTWEIGHT

Housing in aluminium alloy
The lightest among market equivalent devices



IRREVERSIBLE

A toggle-joint mechanism maintains the position even with air lack



COMPENSATION

Allowing clamping of different thickness





MINICLAMP

Small-size power clamps perfect to be used for handling and assembly process

- Pneumatic Miniclamps Ø 25-32 mm
- Fully protected version available 25-32 mm



Small-size power clamps with hand lever typically used for assembly process, white goods sector, on eolat and moving robots

- Pneumatic Miniclamps with hand lever Ø 25-32 mm

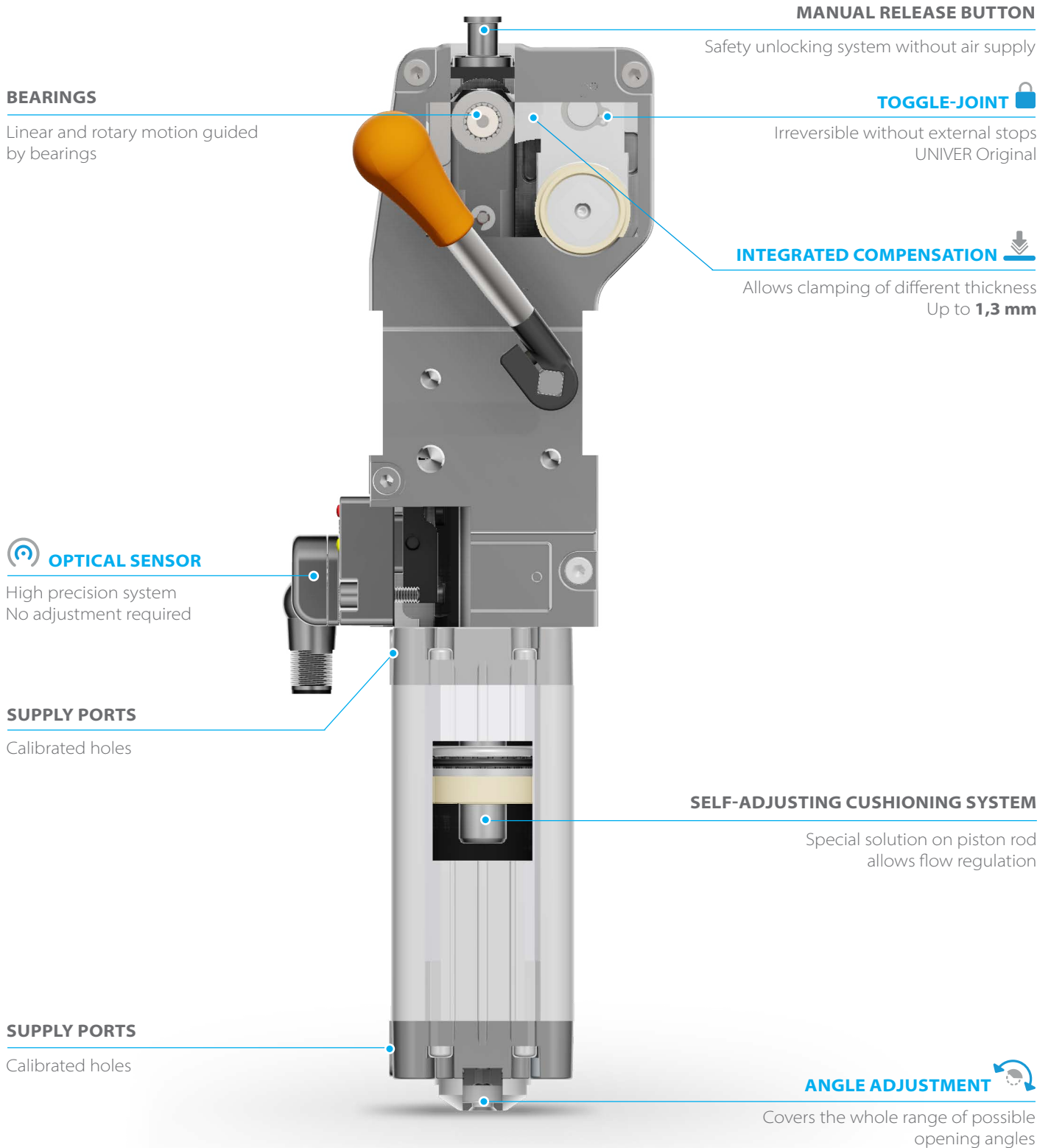


BLUECLAMP air saving

Air saving power clamps assuring a relevant reduction in air consumption without affecting the standard performances required from the market:

- Pneumatic Miniclamp size 32 mm

MINICLAMP FEATURES



BEARINGS

Linear and rotary motion guided by bearings

MANUAL RELEASE BUTTON

Safety unlocking system without air supply

TOGGLE-JOINT

Irreversible without external stops
UNIVER Original

INTEGRATED COMPENSATION

Allows clamping of different thickness
Up to **1,3 mm**

OPTICAL SENSOR

High precision system
No adjustment required

SUPPLY PORTS

Calibrated holes

SELF-ADJUSTING CUSHIONING SYSTEM

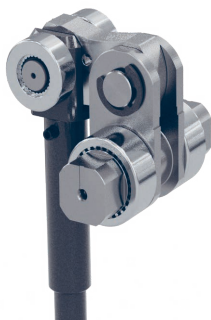
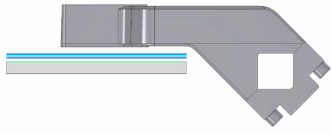
Special solution on piston rod
allows flow regulation

SUPPLY PORTS

Calibrated holes

ANGLE ADJUSTMENT

Covers the whole range of possible
opening angles



INTEGRATED COMPENSATION

The original UNIVER integrated compensation systems allows to compensate metal sheet thickness variations up to 1,3 mm

No need to modify the shims in case of clamping of different metal sheets inside the compensation range



OPTICAL SENSOR

Fully metal body

One single sensor for the whole range of products

IP67 protection

M12 swivel connector (0-90°)

High precision

No set up

Two-parts design: electronic part outside the unit (available as spare part), optical part inside the unit (no touch point)

Insensitive to high magnetic fields, typical of new and modern welding systems like aluminium welding

Industry-recognized, tested and proven sensor



ANGLE ADJUSTMENT

0°- 105° FOR SIZE 25

0°- 135° FOR SIZE 32

Stepless adjustment of the opening angle by means of a hex key from the bottom of the clamp

No need to set the sensor

Possibility to reduce the opening angle to the minimum required

One single device covers the whole range of opening angles aimed at stock reduction



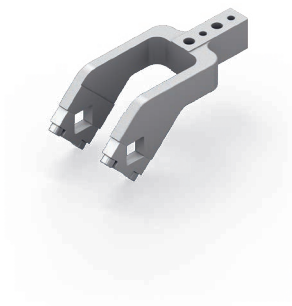
TOGGLE-JOINT MECHANISM

The original UNIVER toggle joint system allows the clamp to maintain the position even with lack of air without external stops

Position repeatability

No backlash in closed position

COMPLEMENTARY PRODUCTS



CLAMPING ARM

Aluminium to assure lightweight
Different offsets for each arm size



SELF HOLDING SYSTEM

UNIVER original
Suitable for any opening angle
Adjustable holding force



HAND LEVER

Ergonomic design
Welding debris resistant

UCBP 32

Pneumatic power clamps Ø32 mm

Pneumatic Miniclamps with compensation system, toggle-joint mechanism and stepless adjustable opening angle, typically used for handling and blocking pieces in assembly process.

- Compact dimensions and lightweight
- Integrated compensation up to 1,3 mm
- Version with hand lever available
- Fully optical electronic sensor or pneumatic sensor
- Fixing pattern on 4 sides
- Manual unlocking in case of air loss
- Self holding system for open position available
- Wishbone clamping arm in aluminium

1



CHARACTERISTICS

Operating temperature	5° ÷ 45° C
Min./Max. Operating pressure	0,4 / 0,6 MPa
Opening angle*	0° ÷ 135°
Bore Ø	32 mm
Holding moment	250 Nm
Clamping moment (0,5 MPa)	75 Nm
Weight (clamping arm not included)	1,3 Kg
Pneumatic supply ports	G1/8
Sensor	electronic (optical)
Supply voltage	10 ÷ 30 Vdc
IP code	IP65

*The opening angle range may vary according to the arm position and style.

CODIFICATION KEY

UC | B | P | 32 | O | E | A | K | 0 | 10



COMPENSATION



LIGHTWEIGHT



IRREVERSIBLE



ANGLE ADJUSTMENT



OPTICAL SENSOR

1 SERIES
UC = UNICLAMP Power clamps

2 STANDARD
B = European standard

3 VERSION
P = Pneumatic

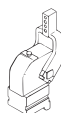
4 SIZE
32 = Ø 32mm

5 ARM POSITION

V = 90°



O = 180°



N = No arm



6 ARM STYLE
B = Central, 0mm offset
C = Central, 10mm offset
E = Central, 25mm offset
N = No arm
For other versions contact our Sales Dept.

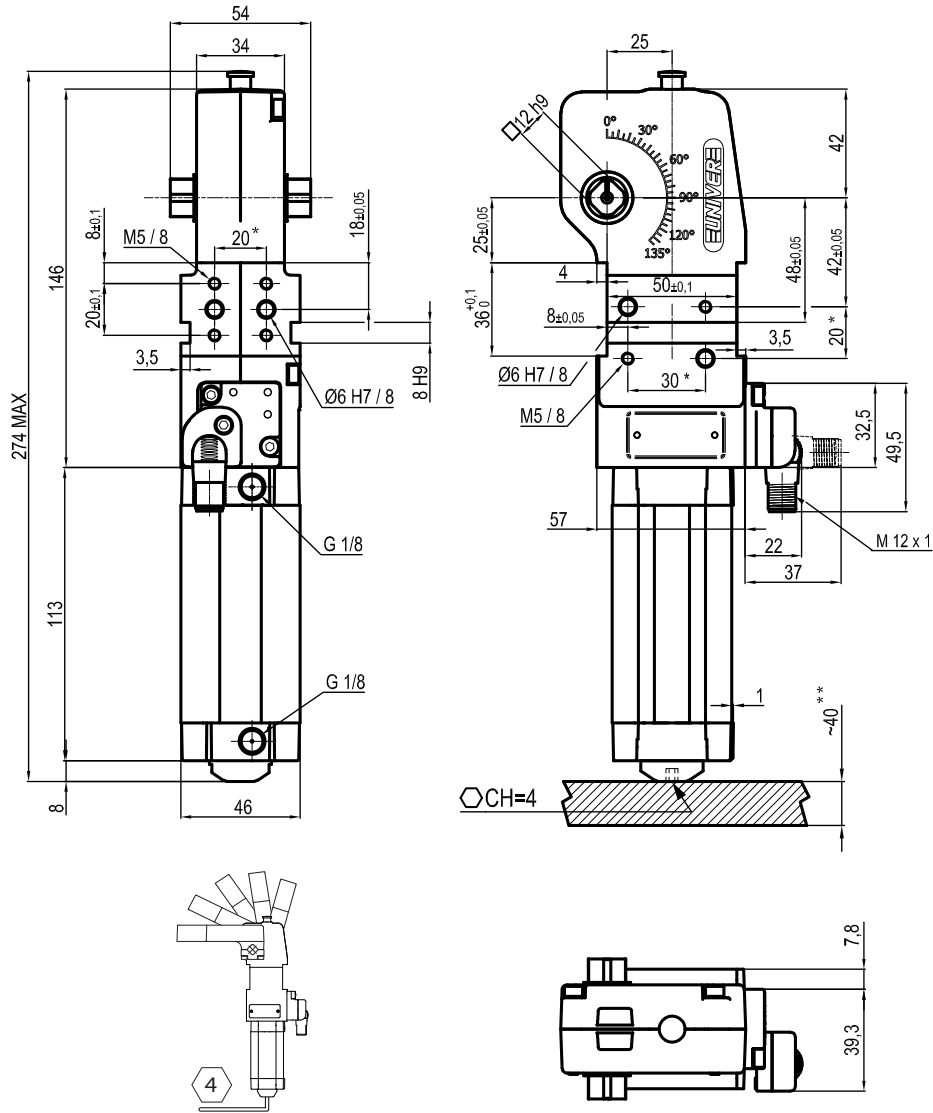
7 ARM TYPE
A = Aluminium
N = No arm

8 SENSOR
N = No sensor (with protection plate)
K = Electronic sensor PNP, M12 (DF-K)
D = Pneumatic sensor
Y = Electronic sensor PNP, M12 (DF-Y) white LED
J = Electronic sensor NPN, M12 (DF-J)

9 PRODUCT REVISION
Assigned by UNIVER

10 ATEX
X = ATEX option
See ATEX Catalogue for types and versions

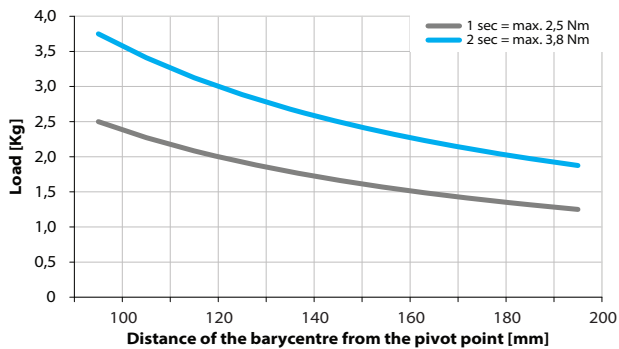
1



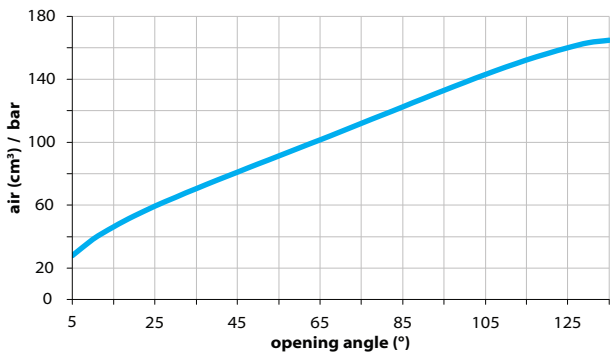
*TOLERANCE BETWEEN DOWELS $\pm 0,02$ BETWEEN SCREW HOLES $\pm 0,1$
 **AREA TO ACCESS ANGLE ADJUSTMENT

Maximum Applicable Load

Pressure: 5 bar - 90° cycle time (Open - Close)

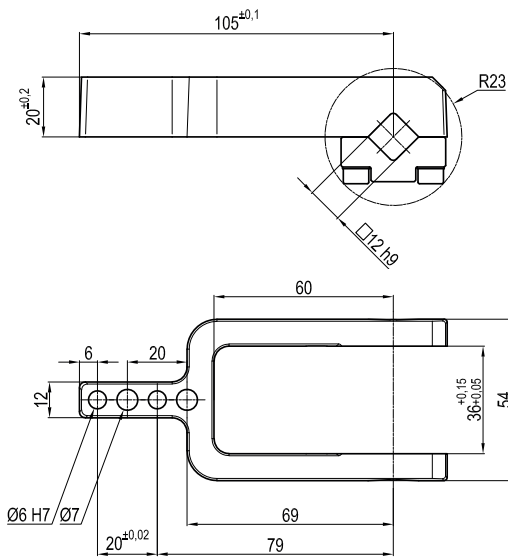


Air Consumption per Cycle

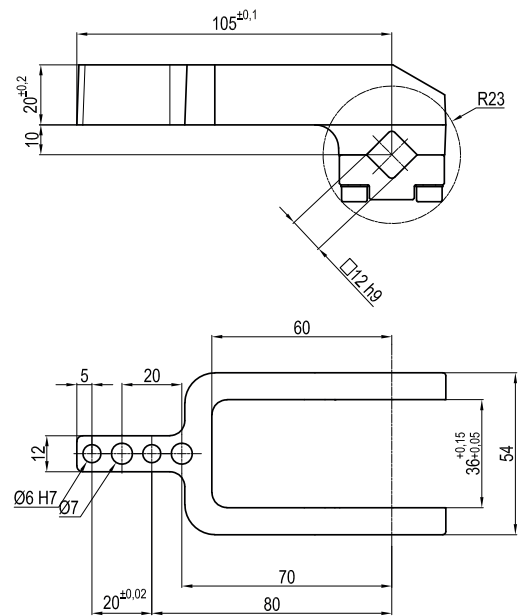


Clamping Arms

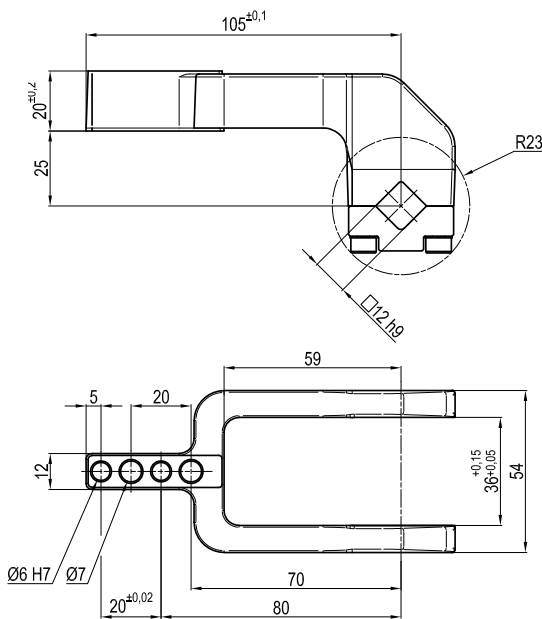
Arm Offset 0mm



Arm Offset 10mm



Arm Offset 25mm



Armcode	Offset	Material	Arm style	Weight (Kg)	Opening angle (90°)	Opening angle (180°)
LKP32B	0	ALUMINIUM	CENTRAL	0,15	0±135°	0±105°
LKP32C	10	ALUMINIUM	CENTRAL	0,15	0±135°	0±120°
LKP32E	25	ALUMINIUM	CENTRAL	0,15	0±135°	0±125°

Sensors



Electronic (optical)

- DF-K PNP M12
- DF-J NPN M12
- DF-Y PNP M12 White LED

Accessories



Self holding system

UBK46P12