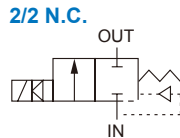


# MYA / MYS series

## 2/2 WAY N.C. PISTON TYPE SOLENOID VALVE



### Specification

- Y type forged brass body.
- IP65 100% ED coil.
- PTB approval EExm II T4 coil.

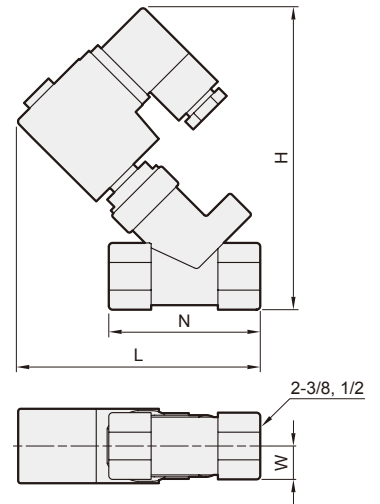
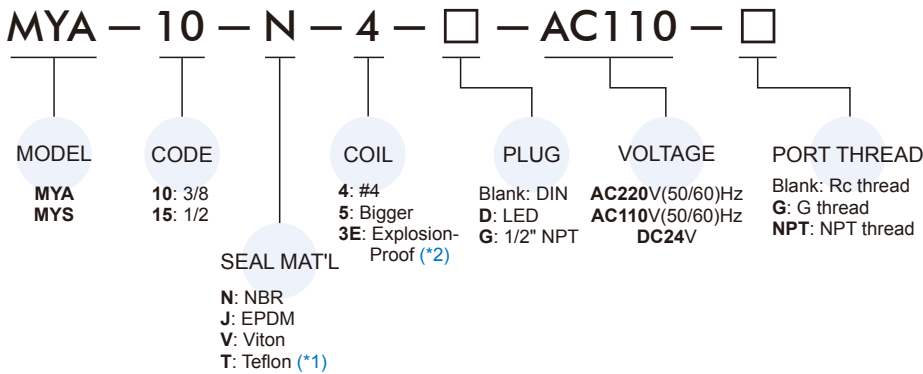
### Power consumption

Coil power	4	5	3E
AC (VA)	17.6/15.4	33/23	9.2
DC (W)	15	18.5	10

### Dimensions

Model	MYA / MYS	
Code Dimension (mm)	10	15
<b>H</b>	118.0	
<b>L</b>	95.0	
<b>N</b>	59.0	
<b>W</b>	13.0	
N.W (kg)	0.55	

### Order example



\*1. When the seal material is (T) Teflon, the valve has slight leakage.

\*2. Explosion-Proof (3E) coil with LED (D) plug is not applicable.

Model **MYA**: for water, air and high temp. fluids.

Code (Port)	Seal mat'l	Coil	Orifice mm	Temp. 5~°C				Working press. bar					CV
				Coil 4		Coil 5, 3E		Coil 4		Coil 5		Coil 3E	
				N	J, V	N	J, V	AC	DC	AC	DC	AC/DC	
10(3/8)	N, J, V	4, 5, 3E	12	95	120	95	145	0.3~16	0.3~10	0.3~20	0.3~12	0.3~5	1.9
15(1/2)			12	95	120	95	145	0.3~16	0.3~10	0.3~20	0.3~12	0.3~5	2.6

Model **MYS**: for steam and high temp. fluids.

Code (Port)	Seal mat'l	Coil	Orifice mm	Temp. 5~°C		Working press. bar					CV
				Coil 4, 3E	Coil 5	Coil 4		Coil 5		Coil 3E	
				T	T	AC	DC	AC	DC	AC/DC	
10(3/8)	T*	4, 5, 3E	12	158	185	0.3~5	0.3~2	0.3~10	0.3~7	0.3~5	1.9
15(1/2)			12	158	185	0.3~5	0.3~2	0.3~10	0.3~7	0.3~5	2.6

\* Teflon seal will have 400 cc/min. down gas leakage.