

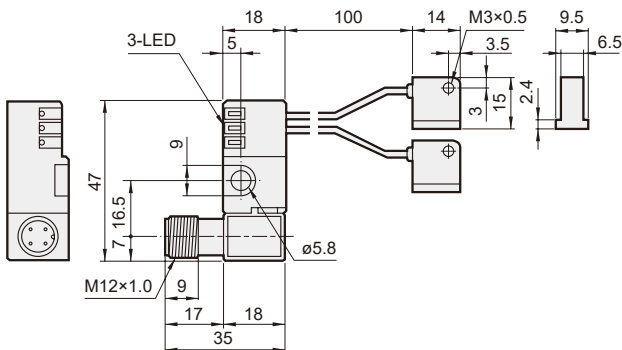
Order example

R N K D

SWITCH TYPE

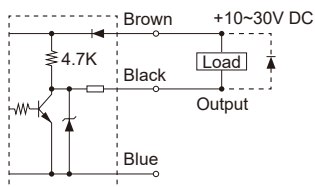
N: NPN
P: PNP

Dimension

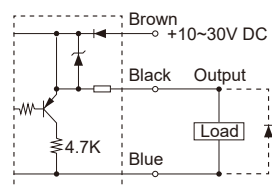


Connect diagram

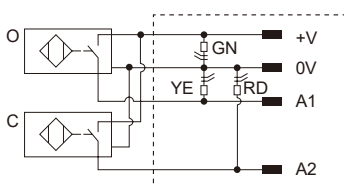
NPN



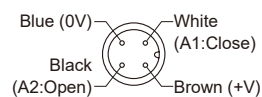
PNP



M12 Connection



Connection wires



Specification

Model	RNKD	RPKD
Output method	NPN	PNP
Voltage	10~30V DC	
Current consumption	15mA max.	
Output current	150mA max.	
Voltage drop	0.8V	
Leakage current	0.1mA	
Sensing distance	2.5mm±10%	
Effective sensing distance	80% of sensing distance min.	
Hysteresis	10% of sensing distance max.	
Thermal drift	10µm/°C max.	
Accuracy	2% of sensing distance max.	
Pilot LED	Power: Green, Open: Yellow, Close: Red	
Frequency	100 Hz max.	
Protection circuit	Short circuit & polarity reversal protection	
Housing material	PBT	
Protection class	IEC 60529 IP67	
Vibration resistance	300m/s ² / (55~2000Hz)(IEC-60068-2-6)	
Shock resistance	300m/s ² with 11ms (IEC-60068-2-27)	
EMC interference	IEC 61000-6-4	
Dielectric strength	2.5kv / 1 minute min.	
Insulation strength	100 MΩ / 500V DC	
Operating environment	-20°C ~ +80°C, 100%RH max. (Condensation permitted)	

* Caution for safety please refer to page 7-8-9.

Assembling style

